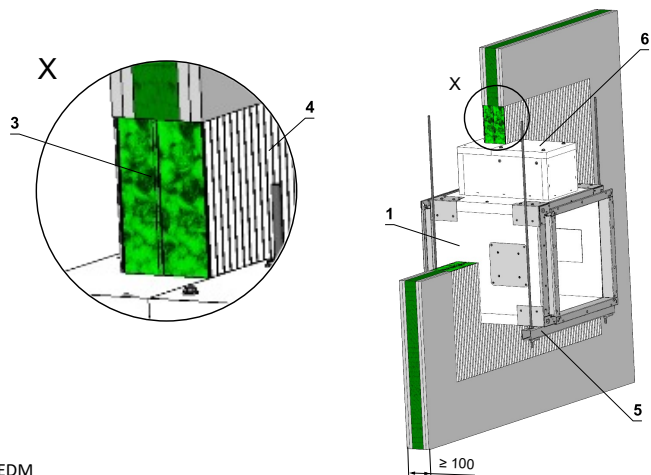


SEDM EI 120 S (Lightweight wall - Fire Batt Fire stop)



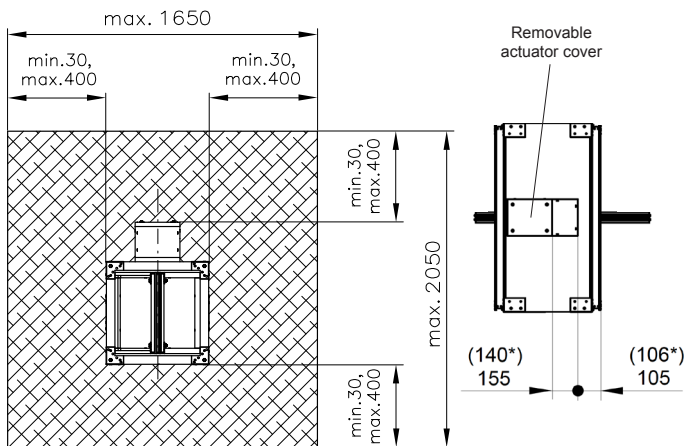
- 1 SEDM
- 2 Gypsum wall construction
- 3 Ablative Coated Batt (e.g. Firestop Board HILTI CFS-CT B 1S 140/50 - min. density 140 kg/m³ + Firestop acrylic sealant HILTI CFS-S ACR or equivalent)
- 4 Fire stop coating thickness 1 mm (e.g. HILTI CFS-CT, PROMASTOP-CC or equivalent)
- 5 Fixing profile with threaded rod
- 6 Calcium silicate Actuator housing*

*Cover of actuating mechanism has to be removable after installation

SEDM solid wall minimum thickness is 100mm

SEDM can be installed with blade axis positioned either vertically or horizontally and with the actuator positioned at 0°, 90°, 180° or 270°

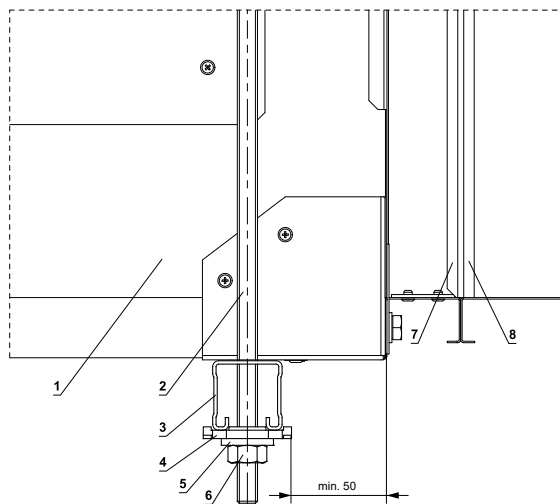
Firebatt installed as manufactures installation details



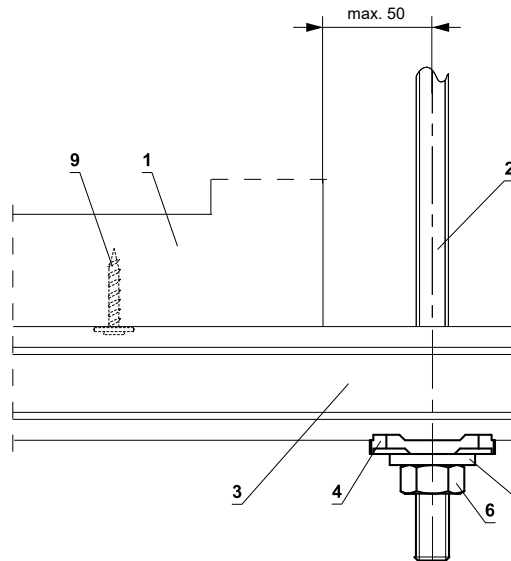
For damper blade offset dimensions see full TPM.

*Crucial that damper actuator access cover can be removed once fire stop is completed.

Drop rod and hanger location, please ensure that actuator operation is not compromised and ensure sufficient space to allow access hatch removal.

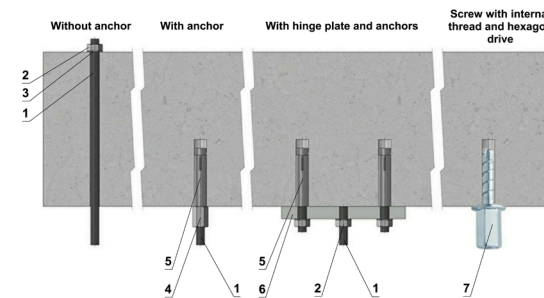


Drop rod and hanger position is not critical and can be positioned to suit the particular installation, applying symmetry where possible.

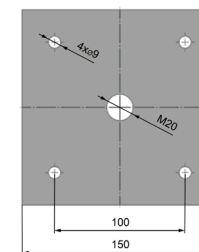
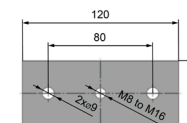


- 1 SEDM
- 2 Threaded rod M8 - M20
- 3 Support HILTI MQ-41 (or MQ-41/3 or equivalent)
- 4 Bored plate HILTI MQZ-L or equivalent
- 5 Washer for M8 - M20
- 6 Nut M8 - M20
- 7 Flange of SEDM
- 8 Flange of duct
- 9 Self-tapping screw 5x30 mm and 1 pcs large washer M5 (for additional fixing, prevents the damper from sliding off the support - not necessary use)

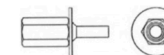
Advice provided by a fixing specialist contractor takes precedence.



Hinge plates



Screw with internal thread and hexagon drive



Load capacities of threaded hanger rods F [N] at the required fire resistance 90 minutes

Size	As [mm]	Weight G [kg]	
		for 1 piece	for 1 pair
M8	36.6	22	44
M10	58	35	70
M12	84.3	52	104
M14	115	70	140
M16	157	96	192
M18	192	117	234
M20	245	150	300

Position:

- 1 Threaded rod M8 - M20
- 2 Nut
- 3 Washer
- 4 Coupling nut
- 5 Anchor
- 6 Hinge plate - min. thickness 10mm
- 7 Concrete screw tested for fire resistance R30-R90, max. tension up to 0.75KN (length 35mm)

Drop rod diameter is based on damper weight, see full Damper TPM for further technical details or contact help@Mandik.co.uk. Mandik reserves the right to update this information without prior notice.

MANDIK®	Mandik UK Ltd www.mandik.co.uk Office: 0117 4526376	130 Aztec West Park Avenue Bristol BS32 4UB
	UKCA certified acc. to EN 12101-8	
Title:	SEDM - Lightweight Wall - Fire Batt	
Classification:	EI 120 (vew i<->o) S1500CmodHOT 400/30MAmulti	
Drawing No:	0000-0000-520 Rev 2	
	Tested in accordance with EN 1366-2 & 1366-10	Size: (min-max) 180x180 - 1600x1000
	Date: 03/07/2023	Illustrated: AA
		Approved: MF
Intellectual property of MANDIK Ltd. Unauthorised use shall be punishable by law		