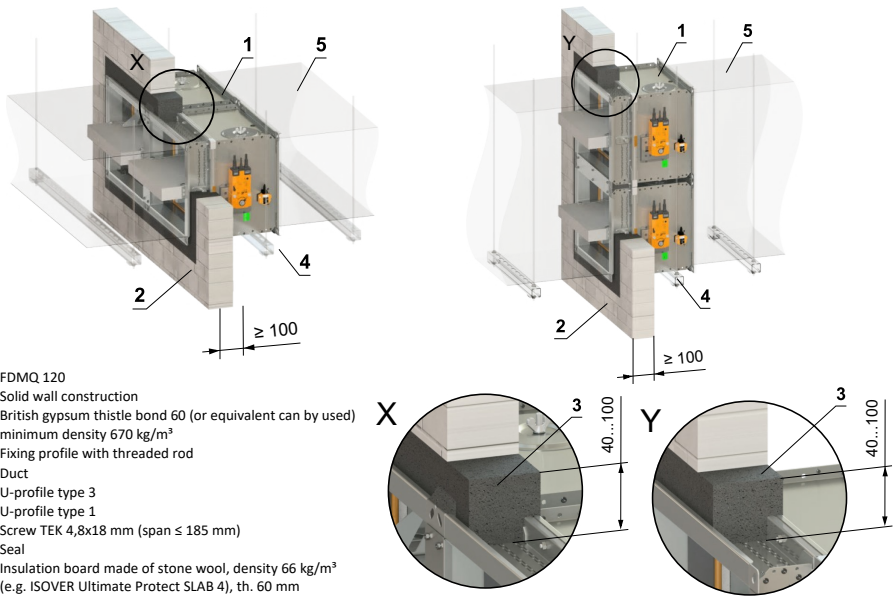


FDMQ 120 Battery (Solid wall - Fire Pro Fire stop) - EI 120 S - UKCA



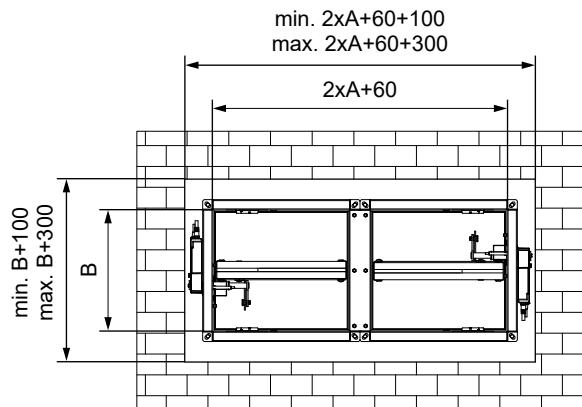
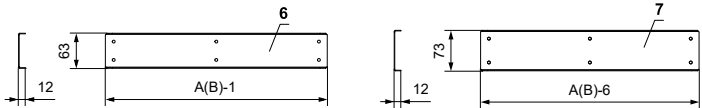
- 1 FDMQ 120
- 2 Solid wall construction
- 3 British gypsum thistle bond 60 (or equivalent can by used) minimum density 670 kg/m³
- 4 Fixing profile with threaded rod
- 5 Duct
- 6 U-profile type 3
- 7 U-profile type 1
- 8 Screw TEK 4,8x18 mm (span ≤ 185 mm)
- 9 Seal
- 10 Insulation board made of stone wool, density 66 kg/m³ (e.g. ISOVER Ultimate Protect SLAB 4), th. 60 mm

Notice:

- Gap between damper and construction is filled by mortar or gypsum
- Distance between dampers 60mm
- Flange to flange connection - up to 4 dampers can be installed

Vertical battery's require equal width, horizontal requires equal height

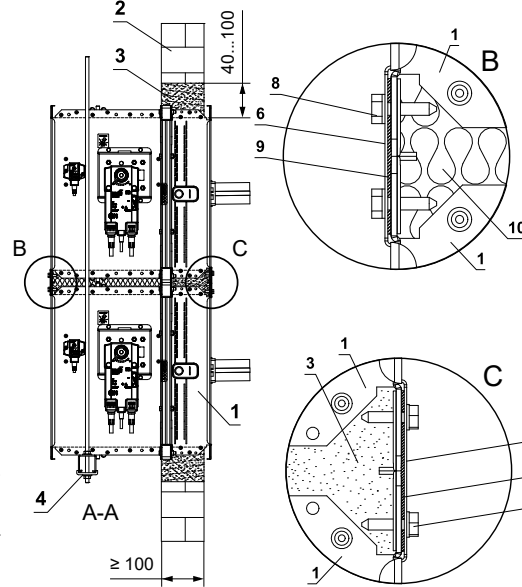
Dampers must be installed to the built in edge shown by orange label on the damper



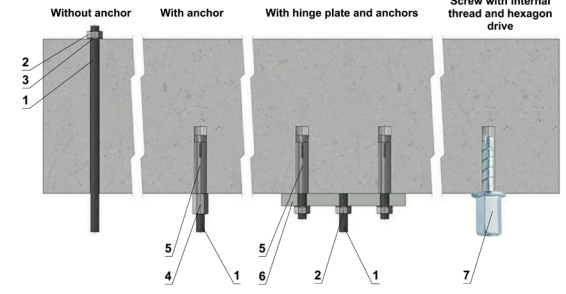
Drop rod and hanger position is not critical and can be positioned to suit the particular installation, applying symmetry where possible.

Position:

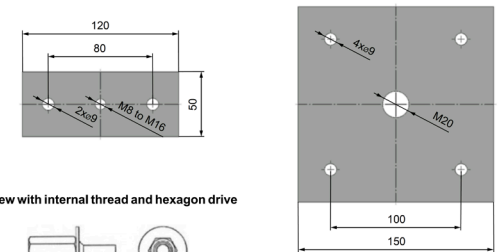
- 1 FDMQ
- 2 Threaded rod M8 - M20
- 3 Support HILTI (MQ-41 = <100kg) or (MQ-41/3 = >100kg)
- 4 Bored plate HILTI MQZ-L
- 5 Washer for M8 - M20
- 6 Nut M8 - M20



Advice provided by a fixing specialist contractor takes precedence.



Hinge plates



Load capacities of threaded hanger rods F [N] at the required fire resistance 90 minutes

Size	As [mm]	Weight G [kg]	
		for 1 piece	for 1 pair
M8	36.6	22	44
M10	58	35	70
M12	84.3	52	104
M14	115	70	140
M16	157	96	192
M18	192	117	234
M20	245	150	300

Position:

- 1 Threaded rod M8 - M20
- 2 Nut
- 3 Washer
- 4 Coupling nut
- 5 Anchor
- 6 Hinge plate - min. thickness 10mm
- 7 Concrete screw tested for fire resistance R30-R90, max. tension up to 0.75KN (length 35mm)

Drop rod diameter is based on damper weight, see full Damper TPM for further technical details or contact help@Mandik.co.uk. Mandik reserves the right to update this information without prior notice.

		Mandik UK Ltd www.mandik.co.uk Office: 0117 4526376		130 Aztec West Park Avenue Bristol BS32 4UB	
		Title: FDMQ Battery - Solid wall/ Fire Pro		CE certified acc. to EN 15650	
Classification: EI 120 (ve i <-> o) S		Tested in accordance with EN 1366-2		Size: (min-max) 150x150 - 1500x800	
Drawing No: 0000-0000-211 Rev 1		Date: 16/02/2023		Illustrated: AA Approved: MF	
Intellectual property of MANDIK Ltd. Unauthorised use shall be punishable by law					