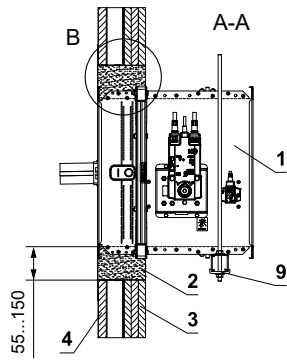
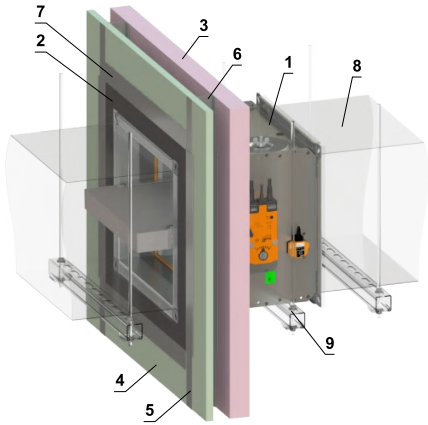
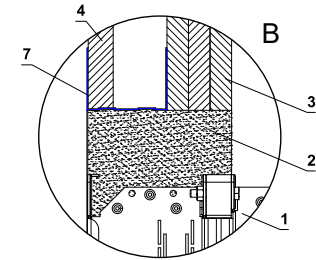
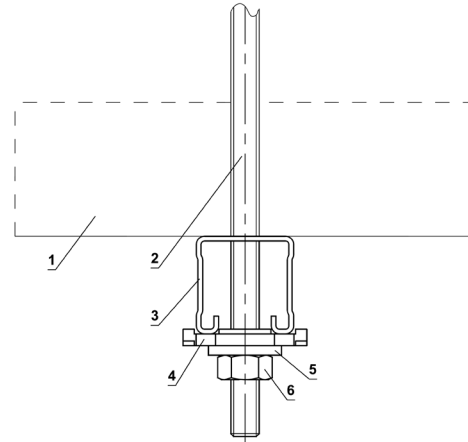


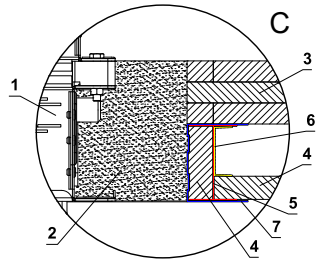
# FDMQ 120 (British Gypsum Shaftwall - Mortar/Gypsum fire stop)- EI 120 S - UKCA



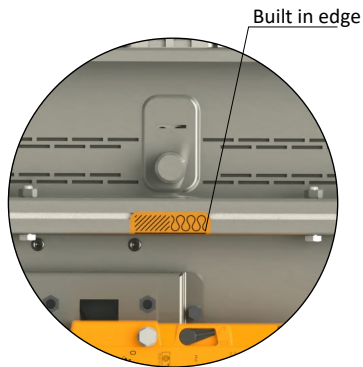
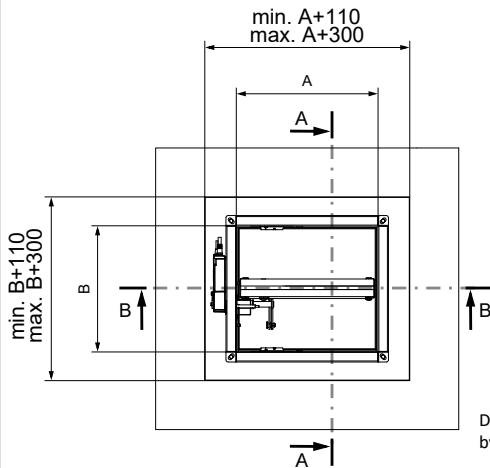
Drop rod and hanger location, please ensure that actuator operation is not compromised and ensure sufficient space to allow access hatch removal.



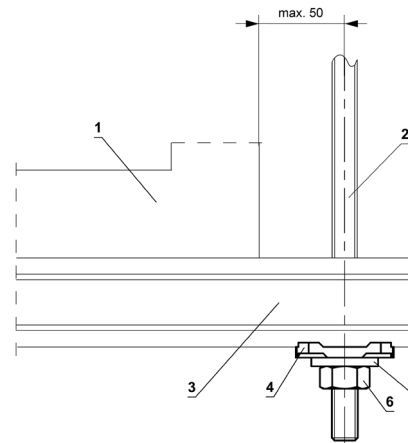
Drop rod and hanger position is not critical and can be positioned to suit the particular installation, applying symmetry where possible.



- 1 FDMQ 120
- 2 British gypsum thistle bond 60 (or equivalent can be used) minimum density 670 kg/m<sup>3</sup>
- 3 Gyproc FireLine
- 4 Gyproc CoreBoard
- 5 Gypframe 'I' Stud
- 6 Gypframe Retaining Channel
- 7 Gypframe Deep Flange Floor & Ceiling Channels
- 8 Duct
- 9 Fixing profile with threaded rod

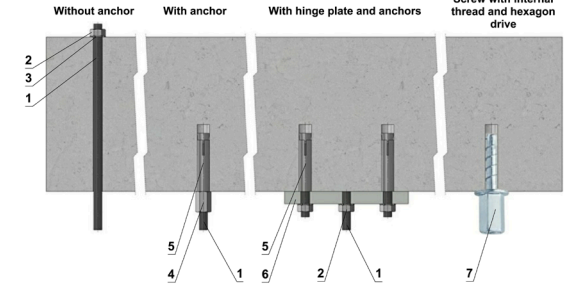


Damper must be installed to the built in edge shown by orange label on the damper

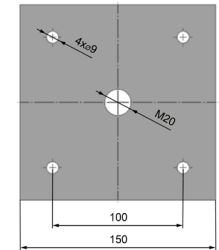
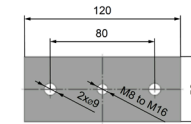


- Position:
- 1 FDMQ
  - 2 Threaded rod M8 - M20
  - 3 Support HILTI (MQ-41 = <100kg) or (MQ-41/3 = >100kg)
  - 4 Bored plate HILTI MQZ-L
  - 5 Washer for M8 - M20
  - 6 Nut M8 - M20

Advice provided by a fixing specialist contractor takes precedence.



Hinge plates



Screw with internal thread and hexagon drive



Load capacities of threaded hanger rods F [N] at the required fire resistance 90 minutes

Size	As [mm]	Weight G [kg]	
		for 1 piece	for 1 pair
M8	36.6	22	44
M10	58	35	70
M12	84.3	52	104
M14	115	70	140
M16	157	96	192
M18	192	117	234
M20	245	150	300

Position:

- 1 Threaded rod M8 - M20
- 2 Nut
- 3 Washer
- 4 Coupling nut
- 5 Anchor
- 6 Hinge plate - min. thickness 10mm
- 7 Concrete screw tested for fire resistance R30-R90, max. tension up to 0.75kN (length 35mm)

Drop rod diameter is based on damper weight, see full Damper TPM for further technical details or contact help@Mandik.co.uk. Mandik reserves the right to update this information without prior notice.

		Mandik UK Ltd www.mandik.co.uk Office: 0117 4526376	130 Aztec West Park Avenue Bristol BS32 4UB
		Title: <b>FDMQ 120 BG Shaftwall - Gypsum</b> UKCA certified acc. to EN 15650	
Classification: <b>EI 120 (ve i&lt;-&gt;o) S</b>		Tested in accordance with EN 1366-2	
Drawing No: <b>0000-0000-240 Rev 1</b>		Size: (min-max) <b>150x150 - 1500x650</b>	Date: <b>13/02/2023</b>
		Illustrated: <b>AA</b>	Approved: <b>MF</b>
Intellectual property of MANDIK Ltd. Unauthorised use shall be punishable by law			