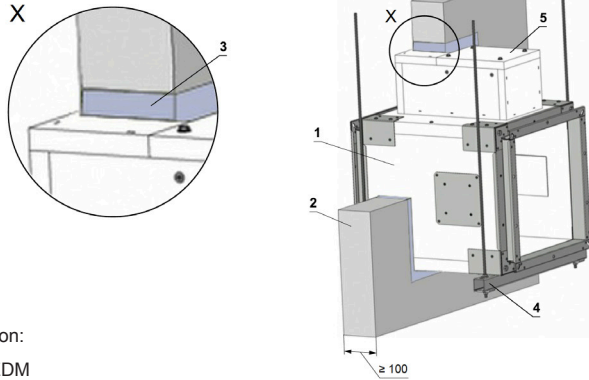


SEDM EI 90 S (Solid wall - Fire Pro Fire stop)

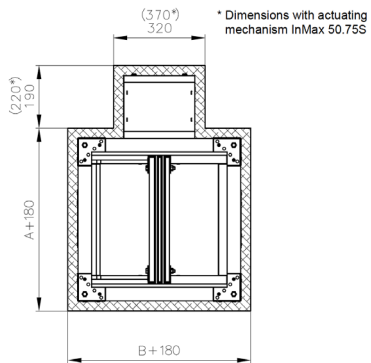


Position:

- 1 SEDM
- 2 Solid wall construction
- 3 Firepro firestop compound
- 4 Fixing profile with threaded rod
- 5 Calcium silicate Actuator housing

SEDM solid wall minimum thickness is 100mm

SEDM can be installed with blade axis positioned either vertically or horizontally and with the actuator positioned at 0°, 90°, 180° or 270°

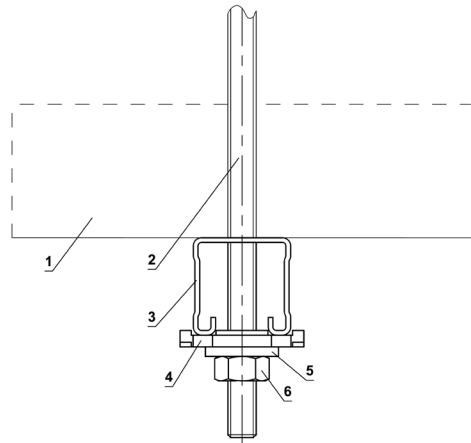


Insertion depth typically 250 mm for dampers supplied with flanges, and 200 mm for dampers without.

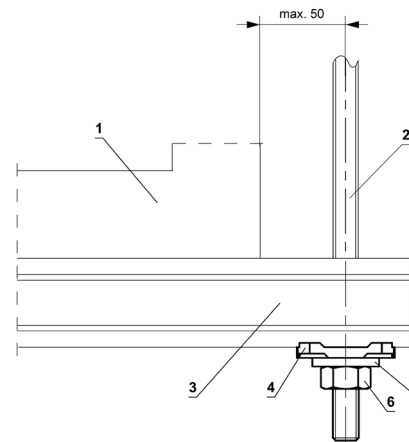
For damper blade offset dimensions see full TPM.

*Crucial that damper actuator access cover can be removed once fire stop is completed.

Drop rod and hanger location, please ensure that actuator operation is not compromised and ensure sufficient space to allow access hatch removal.



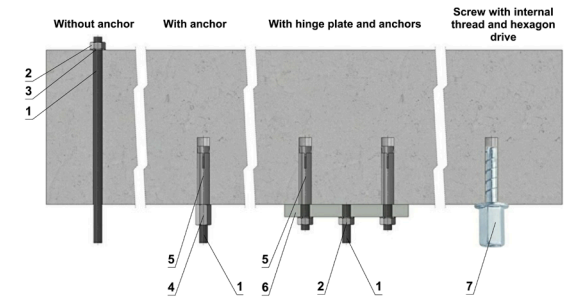
Drop rod and hanger position is not critical and can be positioned to suit the particular installation, applying symmetry where possible.



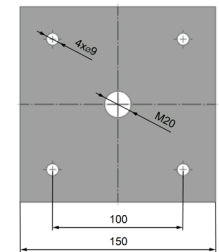
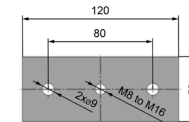
Position:

- 1 SEDM
- 2 Threaded rod M8 - M20
- 3 Support HILTI (MQ-41 = <100kg) or (MQ-41/3 = >100kg)
- 4 Bored plate HILTI MQZ-L
- 5 Washer for M8 - M20
- 6 Nut M8 - M20

Advice provided by a fixing specialist contractor takes precedence.



Hinge plates



Screw with internal thread and hexagon drive



Load capacities of threaded hanger rods F [N] at the required fire resistance 90 minutes

Size	As [mm]	Weight G [kg]	
		for 1 piece	for 1 pair
M8	36.6	22	44
M10	58	35	70
M12	84.3	52	104
M14	115	70	140
M16	157	96	192
M18	192	117	234
M20	245	150	300

Position:

- 1 Threaded rod M8 - M20
- 2 Nut
- 3 Washer
- 4 Coupling nut
- 5 Anchor
- 6 Hinge plate - min. thickness 10mm
- 7 Concrete screw tested for fire resistance R30-R90, max. tension up to 0.75KN (length 35mm)

Drop rod diameter is based on damper weight, see full Damper TPM for further technical details or contact help@Mandik.co.uk. Mandik reserves the right to update this information without prior notice.

		Mandik UK Ltd www.mandik.co.uk Office: 0117 4526376	Redwood House Brotherswood Court Great Park Road Almondsbury Bristol BS32 4QW
		Title: SEDM - Solid wall/ Fire Pro	
Classification: EI 90 (vev i<->) S1500CmodHOT 400/30MAmulti		CE certified acc. to EN 15650 Tested in accordance with EN 1366-2 & 1366-10	
Drawing No: 0000-0000-0043 REV 4		Size: (min-max) 160x160 - 1600x1000 Date: 25/11/2021	Illustrated: GP Approved: MF
Intellectual property of MANDIK Ltd. Unauthorised use shall be punishable by law			