

026/12

Valid from 01/09/2016

MANDÍK[®]

INSTALLATION INSTRUCTIONS

SINGLE COMPARTMENT SMOKE EXTRACTION DAMPER SEDS



Content

General information..... 3

Assembly Installation..... 3

 Statement of installation..... 3

 The Blade Overlaps..... 4

 The Flanges..... 4

Connection Diagrams..... 4

Assembly, Service and revisions..... 6

Dimensions..... 7

Material..... 7

General information

Smoke exhaust dampers - single are shutters in smoke exhaust piping systems. Dampers are designed to remove heat and combustion products (e.g. smoke) from single fire compartment. The damper blade is operated by an actuating mechanism. The dampers can be installed in various duct sizes with respect to the field of direct applications according with EN 1366-9.

The field of direct applications based on tests results is acceptable according to EN 1363-1, part A.1 and A.2, EN 1366-2, part 13 and EN 1366-10, part 9.

Smoke exhaust dampers -single are classified as **E600 90 (ve-i--o) S1000C300AA**single according to EN 13501-4.

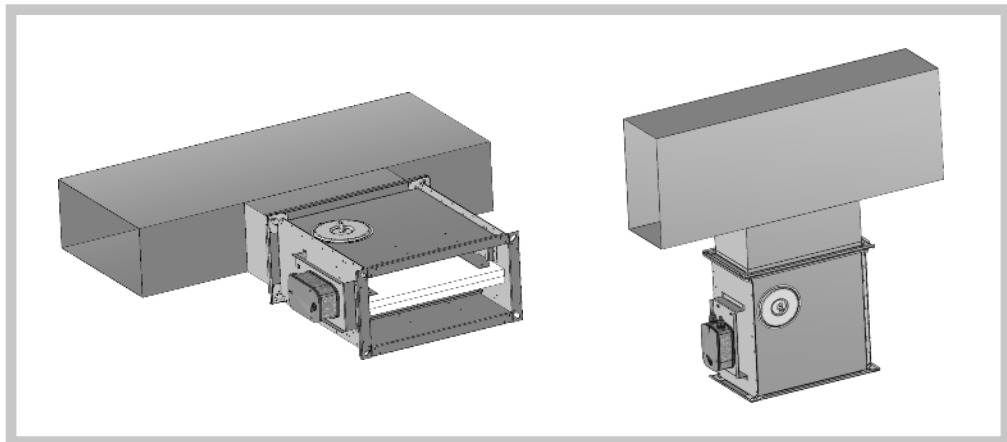
In the event of fire the Smoke and Fire ventilation system opens the damper in the affected section which removes combustion products and heat from this section.

Dampers are designed for macroclimatic areas with mild climate according to EN 60 721-3-3 zm.A2.

Assembly Installation

1. During installation the damper blade must be in position "CLOSED". The damper body should not be deformed in the course of bricking in. Once the damper built in, its blade should not grind on the damper body during opening or closing.
2. During installation the control mechanism must be protected against damaged and pollution.
3. Damper assembly procedures must be done so as all load transfer from the fire separating constructions to the damper body is absolutely excluded.
4. To provide needed access space to the control device, all other objects must be situated at least 350 mm from control parts of the damper. Inspection hole must be accessible.
5. Statement of installations

Installations in duct

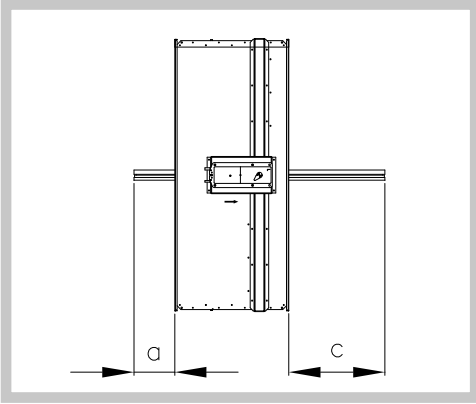


NOTICE

Smoke extraction dampers - single are designed for installation with horizontal blade axis. Air flow (smoke) must be directed from the control device side (see arrow on the damper body).

6. The blade overlaps

The blade overlaps of SEDS



The values of blade overlaps

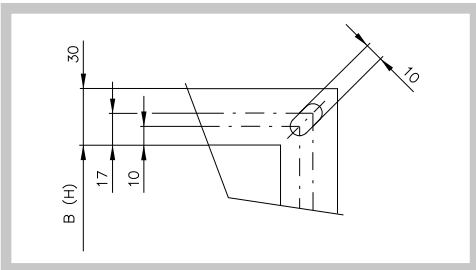
AxB	a	c
Ax180	-	-
Ax200	-	-
Ax225	-	-
Ax250	-	4
Ax280	-	19
Ax300	-	29
Ax315	-	36,5
Ax355	-	56,5
Ax400	-	79
Ax450	-	104
Ax500	-	129
Ax550	-	154
Ax560	-	159
Ax600	-	179
Ax630	-	194
Ax650	-	204
Ax700	11	229
Ax710	16	234
Ax750	36	254
Ax800	61	279
Ax900	111	329
Ax1000	161	379

NOTICE

The blade of dampers exceeds body of fire damper by the values "a" and "c". There has to be enough space in duct or installation shaft for blade rotation. Values have to be respected when projecting related air - conditioning duct.

7. Flanges

Flanges for SEDS

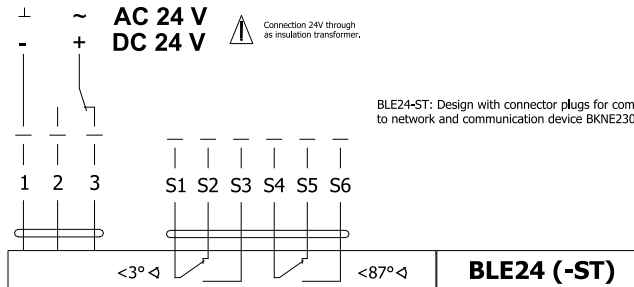


NOTICE

Flanges for square fire dampers are 30 mm wide with oval hole.

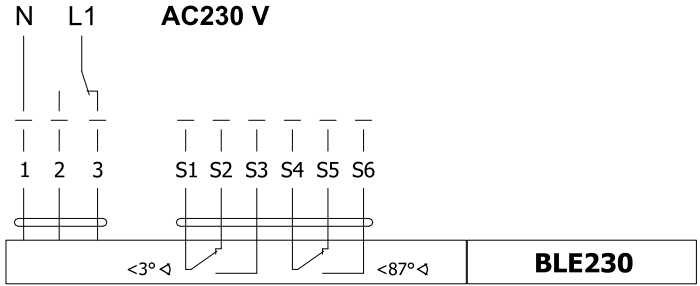
Connection Diagrams

Actuating mechanism BELIMO BLE 24(-ST)



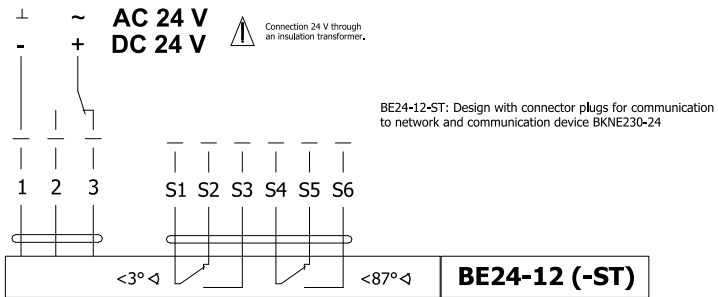
Parallel connection of other driver is possible. Pay attention to the power input data.

Actuating mechanism BELIMO BLE 230



Parallel connection of other driver is possible.
Pay attention to the power input data.

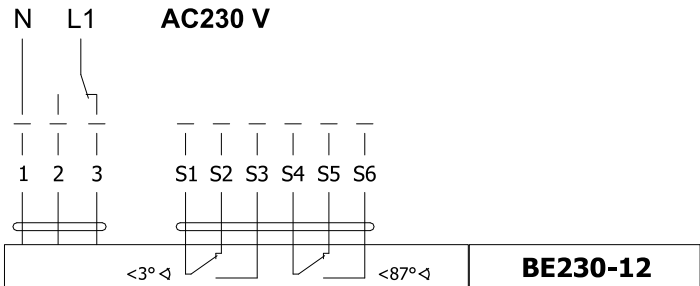
Actuating mechanism BELIMO BE 24-12(-ST)



BE24-12-ST: Design with connector plugs for communication to network and communication device BKNE230-24

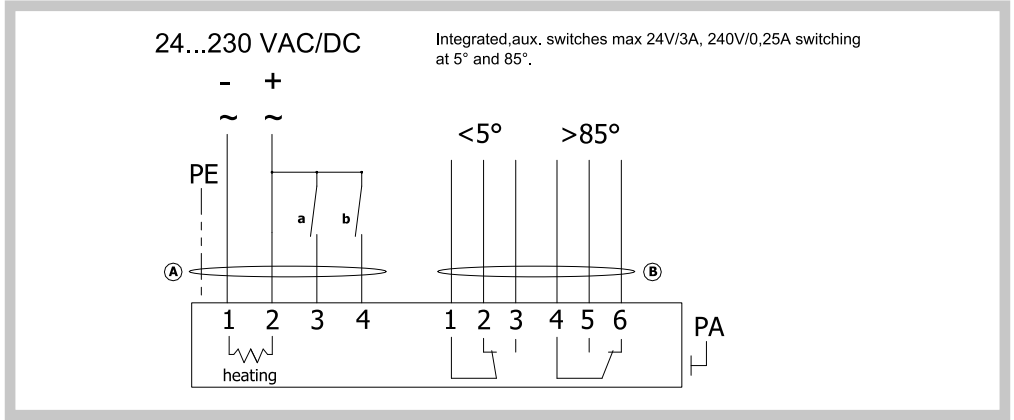
Parallel connection of other driver is possible.
Pay attention to the power input data.

Actuating mechanism BELIMO BE 230-12



Parallel connection of other driver is possible.
Pay attention to the power input data.

Actuating mechanism SCHISCHEK InMax 50.75-S



Service, assembly and revisions

1. Assembly, maintenance and damper check can be done only by qualified persons, i.e. "AUTHORIZED PERSONS" that have been trained by the manufacturer.
2. All effective safety standards and directives must be observed during fire damper assembly.
3. Manual operation:
Any position of the damper blade can be manually set by using a special key. The functionality of the damper can be then easily tested.
4. Before entering the dampers into operation after assembly and after sequential revisions, checks and functionality tests of all designs including operation of the electrical components must be done. After entering into operation, these revisions must be done according to requirement set by national regulations.
5. After fire damper assembly the following checks must be carried out:

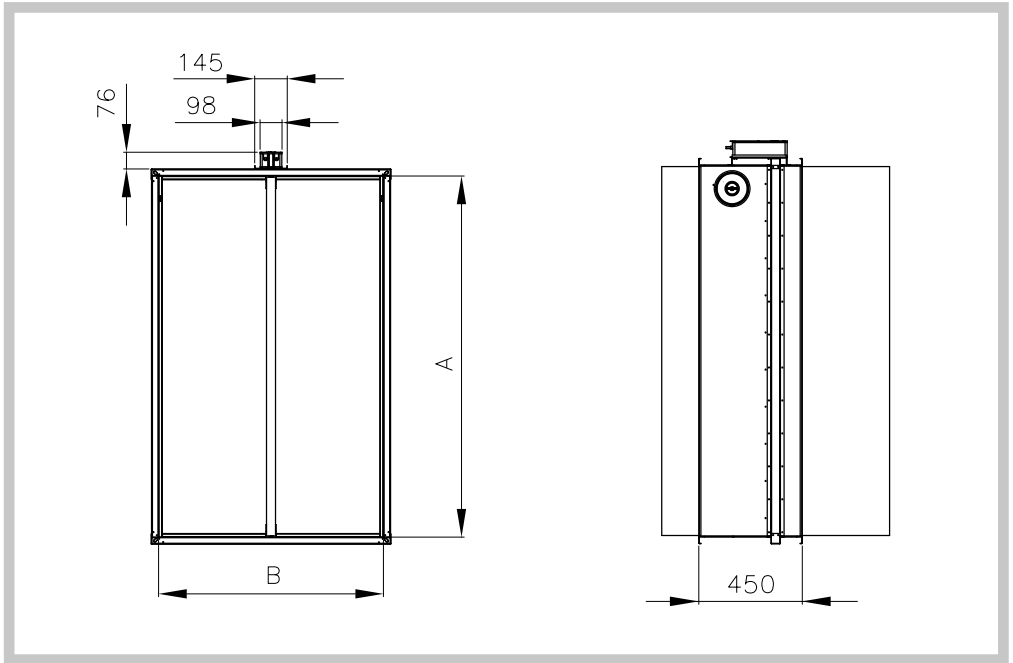
Visual inspection of proper fire damper integration, inside fire damper area, fire damper blade, contact surfaces and silicon sealing.

Inspection hole disassembly: release the covering lid by turning the wing nut and while turning the lid right or left release it from the security belt. Then tilt the lid and remove it from its original position.

The adjustment of the blade can be proven by connecting the power supply to the actuator (or by the signal from the Smoke and Fire Ventilation system). The blade is adjusted to the position "OPENED" and then back to position "CLOSED".

Dimensions

Damper SEDS



Material

1. Damper bodies are supplied in the design made of galvanized plate without any other surface finish.
2. Damper blades are made of fire resistant asbestos free boards made of mineral fibres.
3. Fasteners is galvanized.

MANDÍK, a.s.
Dobříšská 550
26724 Hostomice
Czech Republic
Tel.: +420 311 706 706
E-Mail: mandik@mandik.cz
www.mandik.cz

All rights reserved by Manufacturer. Changes to the product can be applied.
The current product information are available on www.mandik.cz