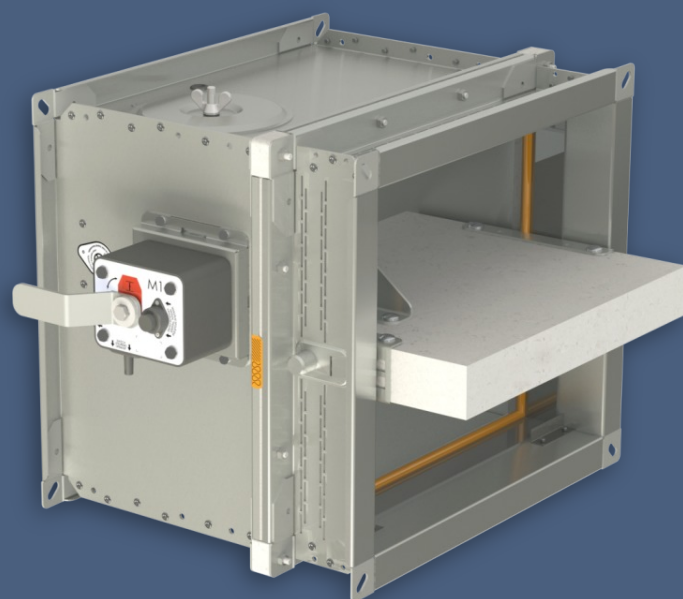
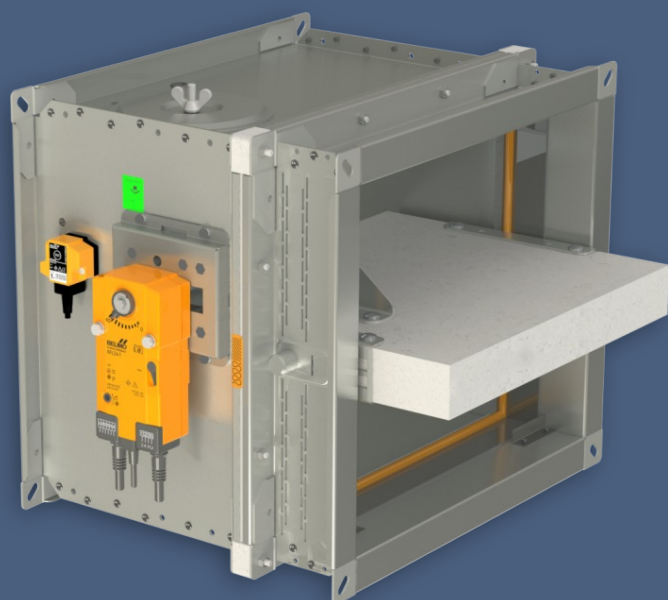


FDMQ 120

Fire damper

Technical Documentation

Installation, Commissioning, Operation, Maintenance and Service Manual



UK
CA
2822

CE
1391

MANDÍK®

www.mandik.co.uk

Manufacturer

MANDÍK, a. s. • Dobříšská 550 • 267 24 Hostomice • Czech Republic • Tel.: +420 311 706 742 • E-Mail: mandik@mandik.cz

Authorized representative

MANDIK UK Ltd • 130 Aztec West • Bristol BS32 4UB • United Kingdom • Tel.: +44 117 4526376 • E-Mail: help@mandik.co.uk

These technical specifications state a row of manufactured sizes and models of fire dampers FDMQ 120.
It is valid for production, designing, ordering, delivery, maintenance and operation.

CONTENT

I. GENERAL.....	3
Description.....	3
II. DESIGN.....	4
Design with manual control.....	4
Design with spring return actuator.....	6
Communication and control module MDCM.....	11
III. DIMENSIONS.....	12
Technical parameters.....	14
IV. INSTALLATION.....	20
Placement and installation.....	20
Statement of installations.....	22
Installation in solid wall construction.....	23
Installation outside solid wall construction.....	27
Installation in gypsum wall construction.....	29
Installation outside gypsum wall construction.....	33
Installation in shaft wall.....	37
Installation in solid ceiling construction.....	38
V. SUSPENSION SYSTEMS.....	41
Example of duct connection.....	43
VI. TECHNICAL DATA.....	44
Pressure loss.....	44
Noise data.....	46
VII. MATERIAL, FINISHING.....	47
VIII. TRANSPORTATION AND STORAGE.....	48
Logistic terms.....	48
IX. ASSEMBLY, ATTENDANCE AND MAINTENANCE.....	48
Entry into service and revisions.....	53
X. ORDERING INFORMATIONS.....	55
Ordering key.....	55
Accessories.....	55
Data label.....	56

I. GENERAL

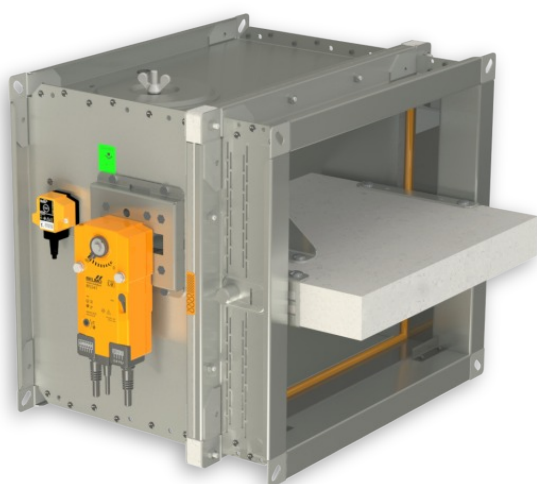
Description

Fire dampers are shutters in ducts of air-conditioning devices that prevent the spread of fire and combustion products from one fire segment to the other one by means of closing the duct in the points of fire separating constructions.

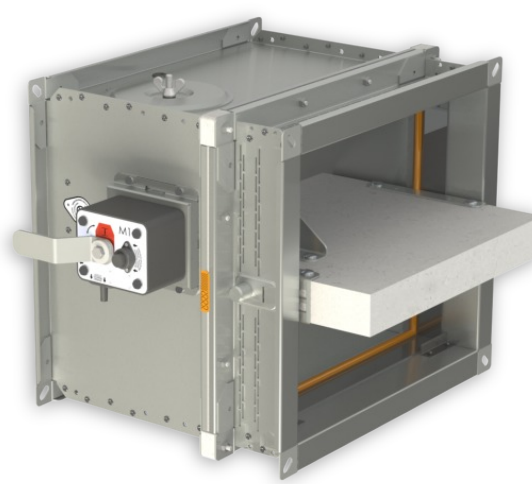
Damper blade automatically closes air duct using a closing spring or a spring return actuator. The closing spring is actuated by pressing a button on the manual control or by melting a thermal fuse.

The return spring of the actuator is actuated when a thermoelectric activation device BAT is activated, when a test button on BAT is pressed or when power supply of the actuator is interrupted.

After closing the blade, the damper is sealed with silicon against smoke penetration. On request by customer, the damper can be supplied silicon-free. In the closed position, the damper is also sealed with material which increases its volume due to increasing temperature and air proofs the air duct.



FDMQ 120 with spring return actuator



FDMQ 120 with manual control

Damper characteristics

- CE certified acc. to BS EN 15650
- Tested in accordance with BS EN 1366-2
- Classified acc. to BS EN 13501-3+A1
- External Casing leakage class min. ATC 3 (old marking "C") acc. to BS EN 1751, Internal leakage min. class 2 acc. to BS EN 1751
- Cycling test in class C₁₀₀₀₀ acc. to BS EN 15650
- Corrosion resistant acc. to BS EN 15650
- Certificate of constancy of performance UKCA No. 2822-UKCA-CPR-XXXX
- Certificate of constancy of performance CE No. 1391-CPR-XXXX/XXXX
- Declaration of Performance UKCA No. PM/FDMQ 120/02/XX/X
- Declaration of Performance CE No. PM/FDMQ 120/01/XX/X
- Hygienic assessment of fire dampers - Report No. 1.6/pos/19/19b

Working conditions

- Exact damper function is provided under the following conditions:
 - maximum air velocity 12 m/s
 - maximum pressure difference 1200 Pa
 - the air circulation in the whole damper section must be secured steady over the entire surface.
- Dampers can be installed in arbitrary position.
- Dampers are suitable for systems without abrasive, chemical and adhesive particles.
- Dampers are designed for macroclimatic areas with mild climate according to BS EN IEC 60 721-3-3 ed.2., class 3K22. (Environment 3K22 is typically protected place with regulated temperature)
- Temperature in the place of installation is permitted to range from -30°C to +50°C.

II. DESIGN

Design with manual control

Design .01

- Design with manual control with a thermal fuse which actuates the shutting device, after the nominal activation temperature 72°C has been reached.
- Automatic initiation of the manual control is not activated if the temperature does not exceed 70°C.
- In case that other activation temperatures are required, thermal fuses with nominal activation temperature +104°C or +147°C can be supplied (this requirement must be specified in the order).



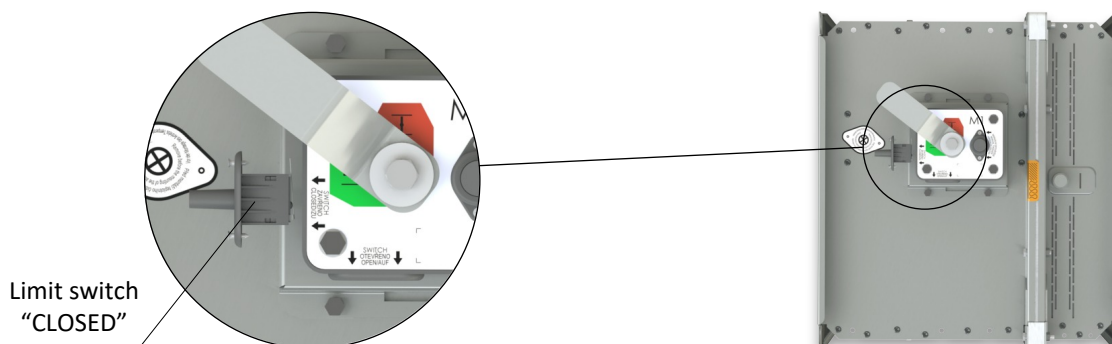
Design .01

ATTENTION:

- Manual controls are produced in five sizes M1 to M5, difference is only in size of a closing spring, which closes the fire damper.
- For the size of fire dampers is always assigned the size of the manual control → see pages 14 to 19
- It is not recommended to use different size of the manual control than given by the manufacturer, otherwise there is a risk of damaging the fire damper.

Design .11

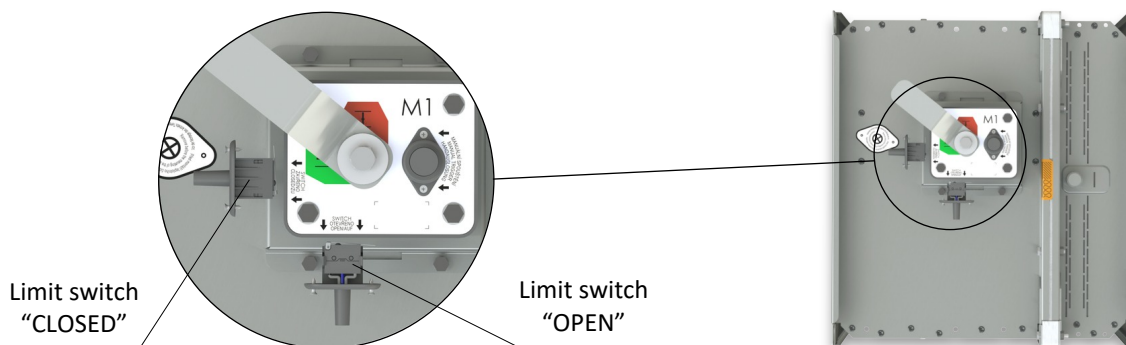
- Design .01 with manual control can be complemented with a limit switch signaling of the damper blade position "CLOSED".
- Cable is connected directly to limit switch.
- Limit switch detail → see page 5



Design .11

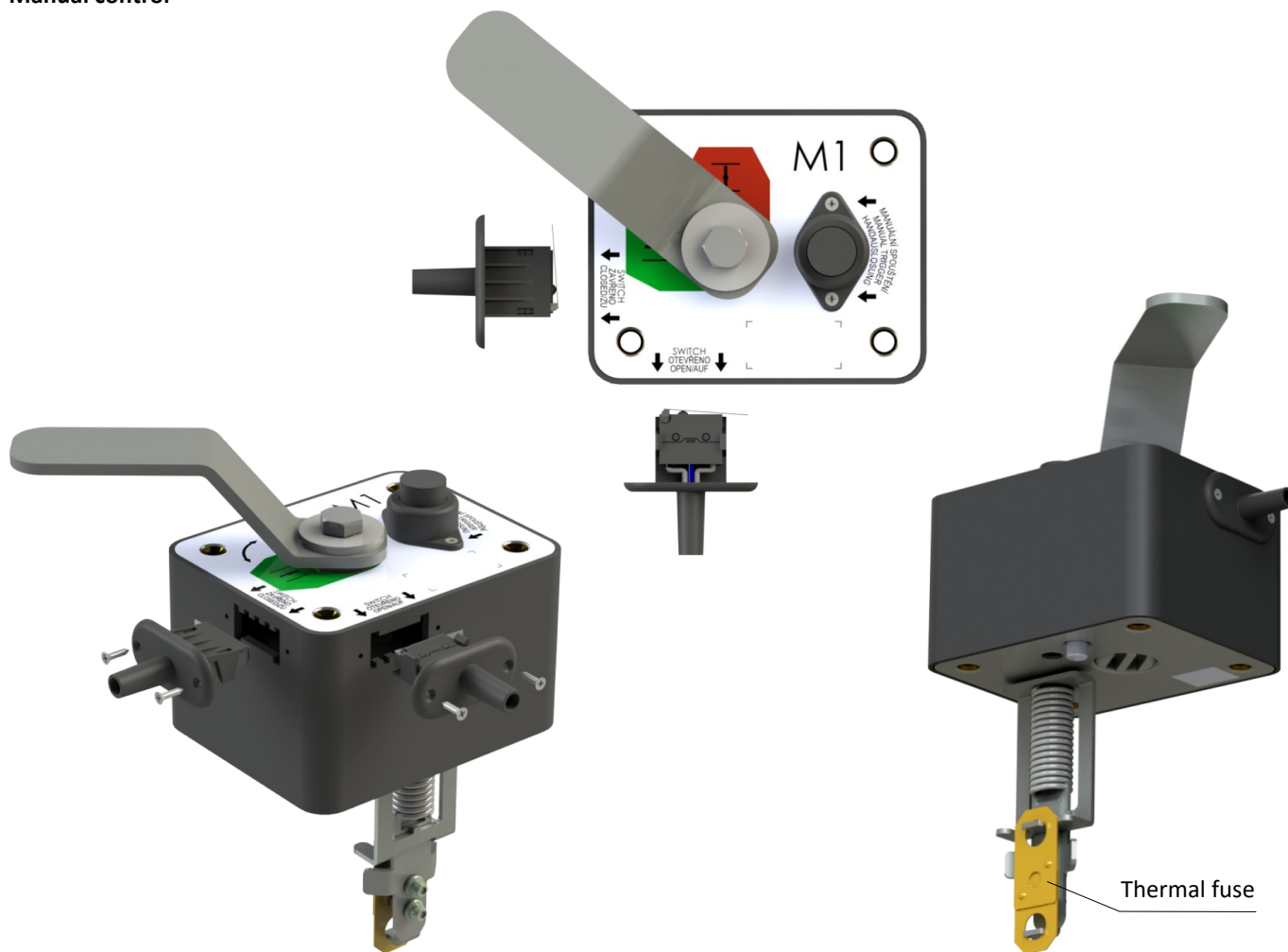
Design .80

- Design .01 with manual control can be complemented with two limit switches signaling of the damper blade position "CLOSED" and "OPEN".
- Cables are connected directly to limit switches.
- Limit switch detail → see page 5

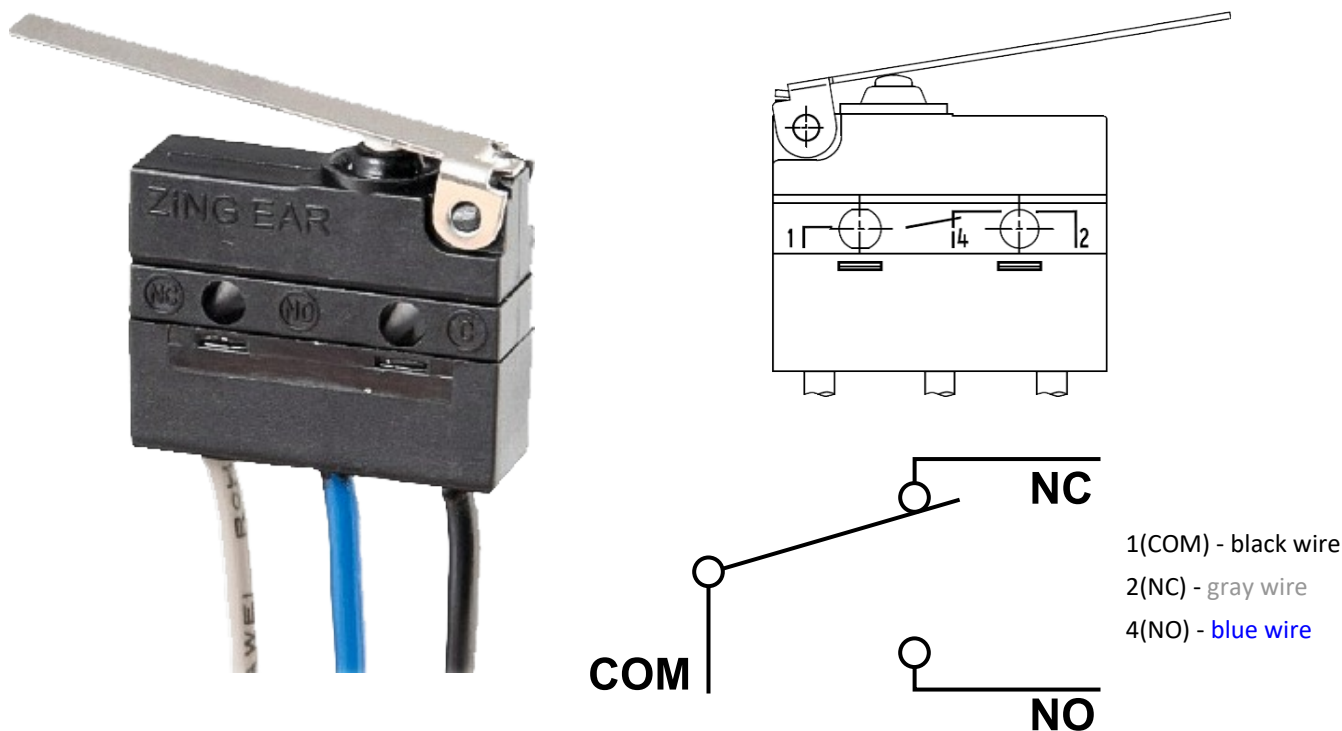


Design .80

Manual control



Limit switch G905-300E03W1



Nominal voltage and maximal current	AC 230V / 5A
Class of protection	IP 67
Working temperature	-25°C ... +120°C

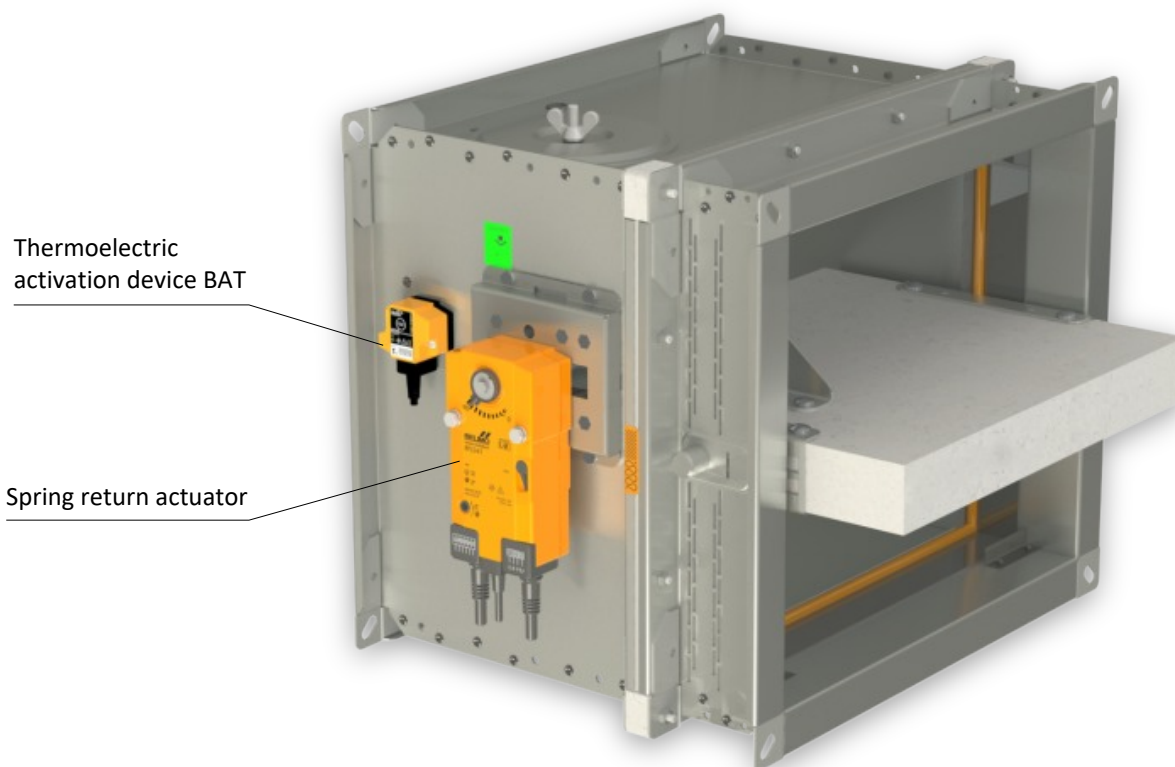
This limit switch is possible to connect in two following ways

- CUT-OFF if the arm is moving ... connect wire 1+2
- SWITCH-ON if the arm is moving ... connect wire 1+4

Design with spring return actuator

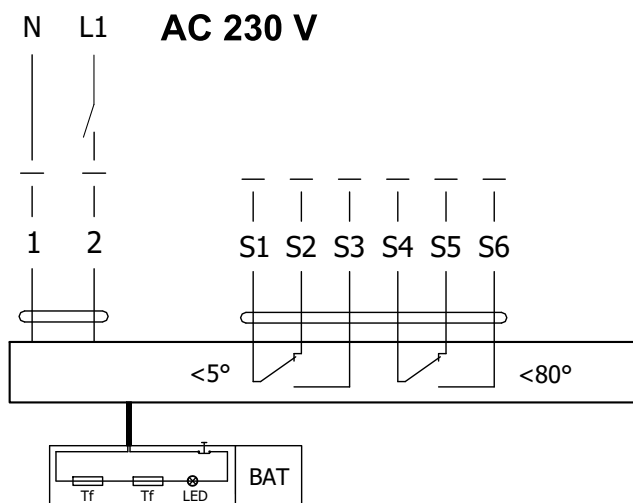
Design .40 and .50

- The fire dampers are equipped with Belimo spring return actuators with thermoelectric activation device BAT. The spring return actuator types are BFL, BFN or BF depending on the damper size. (Further mentioned as „actuator“).
- After being connected to power supply 230V or AC/DC 24V, the actuator rotates the damper blade to the operating position "OPEN" and at the same time pre-stretches its return spring.
- When the actuator is power supplied, the damper blade is in the position "OPEN" and the return spring is pre-stretched.
- Time needed for full opening of the damper blade from the position "CLOSED" to the position "OPEN" is maximum 120 sec. If the actuator power supply is interrupted (due to loss of supply voltage, or pressing a test button on the thermoelectric activation device BAT), the actuator rotates the damper blade to the breakdown position "CLOSED".
- The time of closing the damper blade from the position "OPEN" to the position "CLOSED" takes maximum 20 sec.
- In case that the power supply is restored again (the blade can be in any position), the actuator starts to rotate the damper blade back to the position "OPEN".
- A thermoelectric activation device BAT, which contains two thermal fuses Tf1 and Tf2, is an integral part of the actuator.
- These fuses are activated when temperature +72°C has been reached (the fuse Tf1 due to temperature outside the duct and the fuse Tf2 due to temperature inside the duct).
- After the thermal fuse Tf1 or Tf2 has been activated, the power supply is permanently and irreversibly interrupted and the actuator, by means of the pre-stretched spring, rotates the damper blade into the breakdown position "CLOSED".
- Signalisation of damper blade position "OPEN" and "CLOSE" is provided by two microswitches.

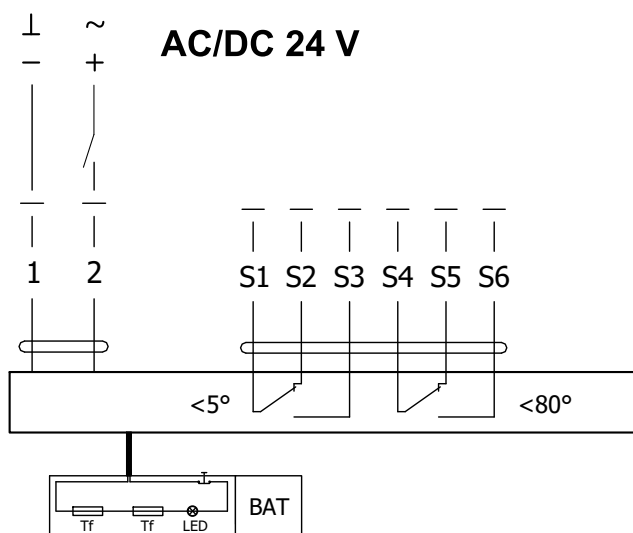


Design .40 and .50

Actuator BELIMO BFL 230-T



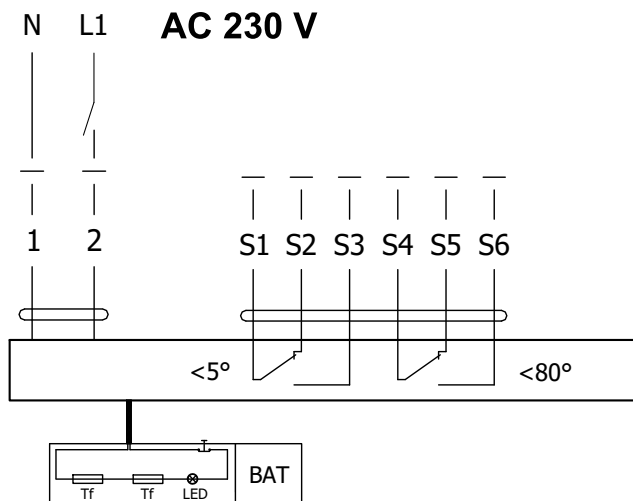
Actuator BELIMO BFL 24-T(-ST)



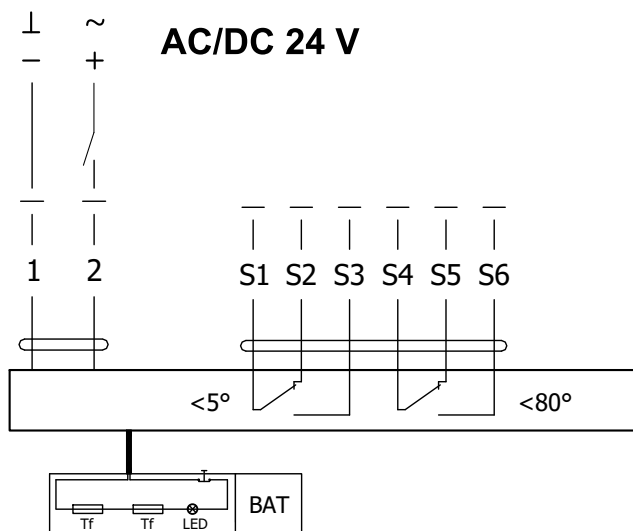
Actuator BELIMO BFL 230-T(-ST), BFL 24-T(-ST)

Actuator BELIMO - 4 Nm/ 3 Nm Spring	BFL 230-T(-ST)	BFL 24-T(-ST)
Power voltage	AC 230 V 50/60Hz	AC/DC 24 V 50/60Hz
Power consumption - in operation - in rest position	3,5 W 1,1 W	2,5 W 0,8 W
Dimensioning	6,5 VA (I _{max} 4 A @ 5 ms)	4 VA (I _{max} 8,3 A @ 5 ms)
Protection class	II	III
Degree of protection	IP 54	
Running time - motor - spring return	< 60 s ~ 20 s	
Ambient temperature - normal duty - safety duty - non-operating temperature	-30°C ... +55°C The safe position will be attained up to max. +75°C -40°C ... +55°C	
Connection - supply/control - auxiliary switch	cable 1 m, 2 x 0,75 mm ² (BFL 2xx-T-ST) with 3-pin plug-in connectors cable 1 m, 6 x 0,75 mm ² (BFL 2xx-T-ST) with 6-pin plug-in connectors	
Response temperature thermal fuse	duct outside temperature +72°C duct inside temperature +72°C	

Actuator BELIMO BFN 230-T



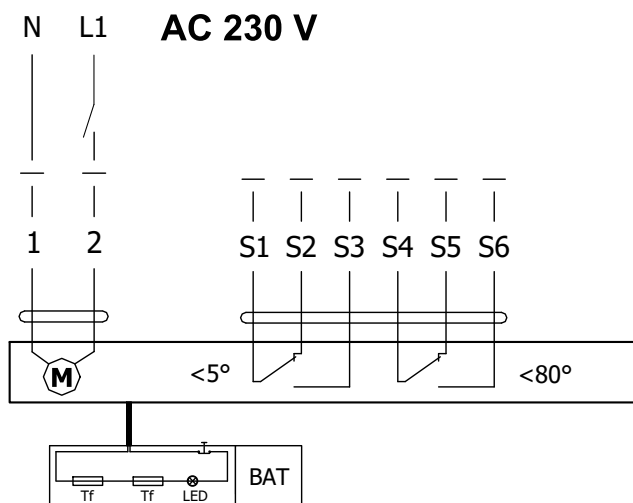
Actuator BELIMO BFN 24-T(-ST)



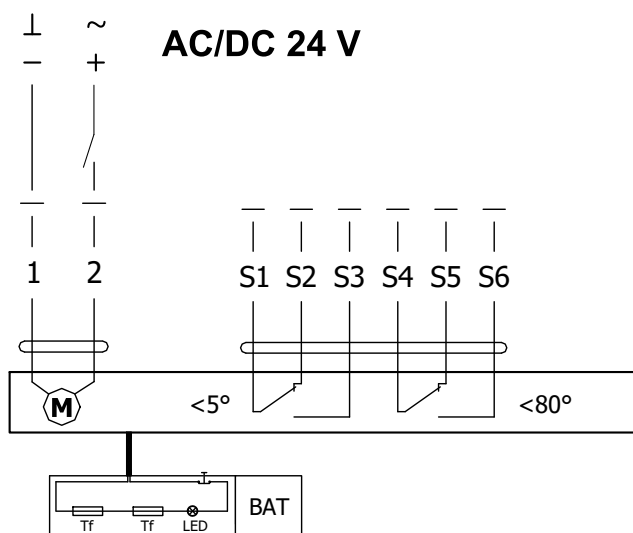
Actuator BELIMO BFN 230-T(-ST), BFN 24-T(-ST)

Actuator BELIMO - 9 Nm/ 7 Nm Spring	BFN 230-T(-ST)	BFN 24-T(-ST)
Power voltage	AC 230 V 50/60Hz	AC/DC 24 V 50/60Hz
Power consumption - in operation - in rest position	5 W 2,1 W	4 W 1,4 W
Dimensioning	10 VA (I _{max} 4 A @ 5 ms)	6 VA (I _{max} 8,3 A @ 5 ms)
Protection class	II	III
Degree of protection	IP 54	
Running time - motor - spring return	< 60 s ~ 20 s	
Ambient temperature - normal duty - safety duty - non-operating temperature	-30°C ... +55°C The safe position will be attained up to max. +75°C -40°C ... +55°C	
Connection - supply/control - auxiliary switch	cable 1 m, 2 x 0,75 mm ² (BFN 2xx-T-ST) with 3-pin plug-in connectors cable 1 m, 6 x 0,75 mm ² (BFN 2xx-T-ST) with 6-pin plug-in connectors	
Response temperature thermal fuse	duct outside temperature +72°C duct inside temperature +72°C	

Actuator BELIMO BF 230-TN



Actuator BELIMO BF 24-TN (-ST)



Actuator BELIMO BF 230-TN(-ST), BF 24-TN(-ST)

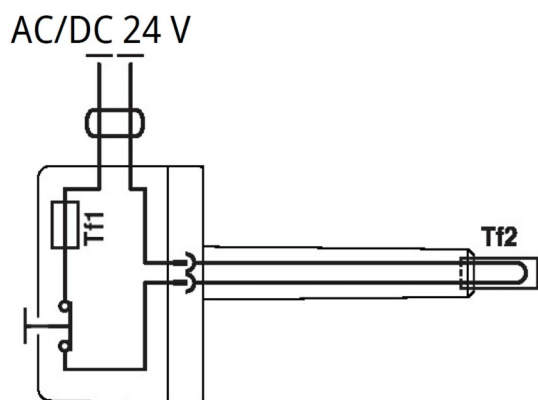
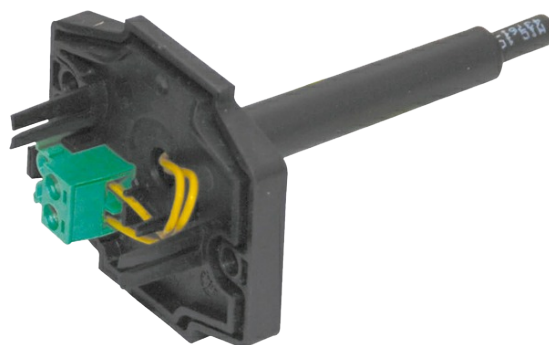
Actuator BELIMO - 18 Nm/ 12 Nm Spring	BF 230-TN(-ST)	BF 24-TN(-ST)
Power voltage	AC 230 V 50/60Hz	AC/DC 24 V 50/60Hz
Power consumption - in operation - in rest position	8,5 W 3 W	7 W 2 W
Dimensioning	11 VA (I _{max} 8,3 A @ 5 ms)	10 VA (I _{max} 8,3 A @ 5 ms)
Protection class	II	III
Degree of protection	IP 54	
Running time - motor - spring return	120 s ~ 16 s	
Ambient temperature - normal duty - safety duty - non-operating temperature	-30°C ... +50°C The safe position will be attained up to max. +75°C -40°C ... +50°C	
Connection - supply/control - auxiliary switch	cable 1 m, 2 x 0,75 mm ² (BF 2xx-TN-ST) with 3-pin plug-in connectors cable 1 m, 6 x 0,75 mm ² (BF 2xx-TN-ST) with 6-pin plug-in connectors	
Response temperature thermal fuse	duct outside temperature +72°C duct inside temperature +72°C	

Thermoelectric activation device BAT

- If the thermal fuse Tf1 is interrupted (due to temperature outside the duct), it is necessary to replace the spring return actuator. Thermoelectric activation device BAT is integral part of the actuator.
- If the thermal fuse Tf2 is interrupted (due to temperature inside the duct) , only the spare part ZBAT 72 needs to be replaced.
- When one of the thermal fuses responds, the supply voltage is interrupted permanently and irreversibly.
- The function (interruption of the supply voltage) can be checked by pressing the test button.
- Installation is carried out with the pre-assembled, self-tapping screws.



BELIMO ZBAT 72
Black (BK) = 72°C (standard)

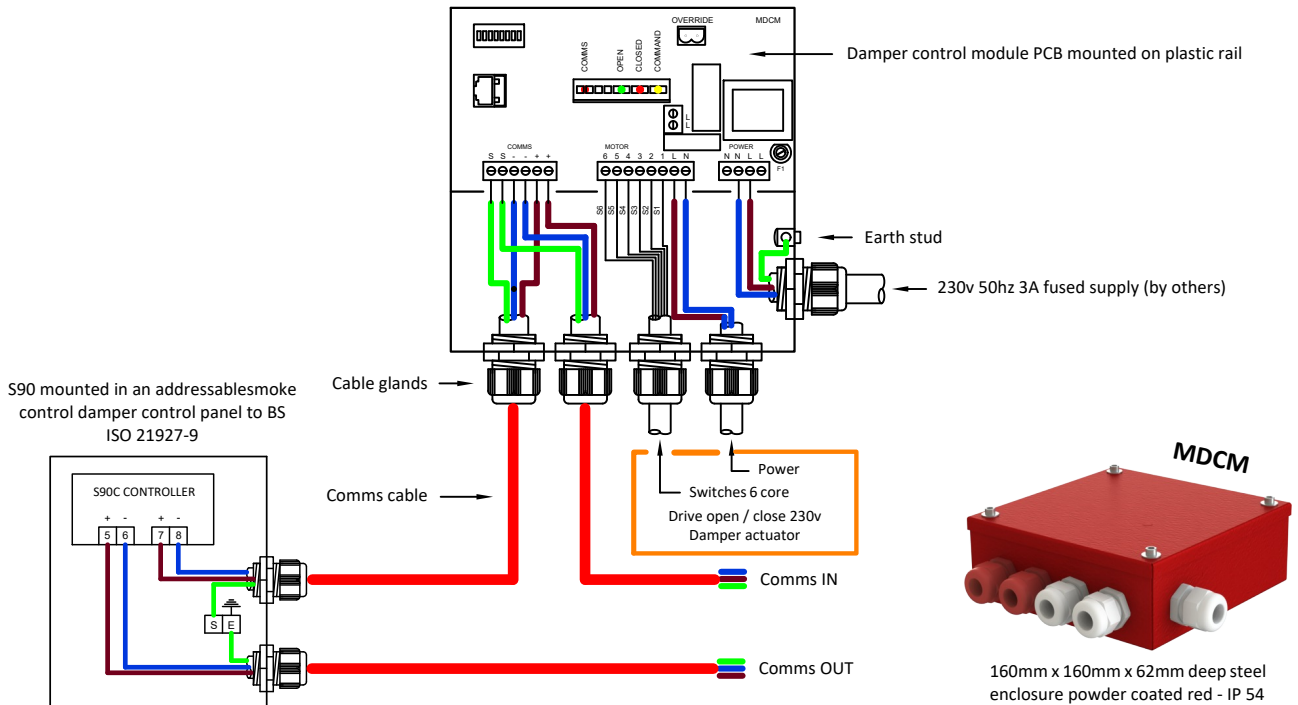


Thermoelectrical starting mechanism BAT 72

Power voltage	AC/DC 24 V 50/60Hz
Rated current	1 A
AC/DC throughput resistance	<1 Ω
Protection class	III
Degree of protection	IP 54
Probe length	65 mm
Ambient temperature	-30°C ... +50°C
Storage temperature	-40°C ... +50°C
Ambient humidity	Max. 95% RH, non-condensing
Connection supply	Cable 1 m, 2 x 0.5 mm ² , Betaflam cable heatresistant up to 145°C
Response temperature thermal fuse	Duct inside temperature 72°C Duct outside temperature 72°C

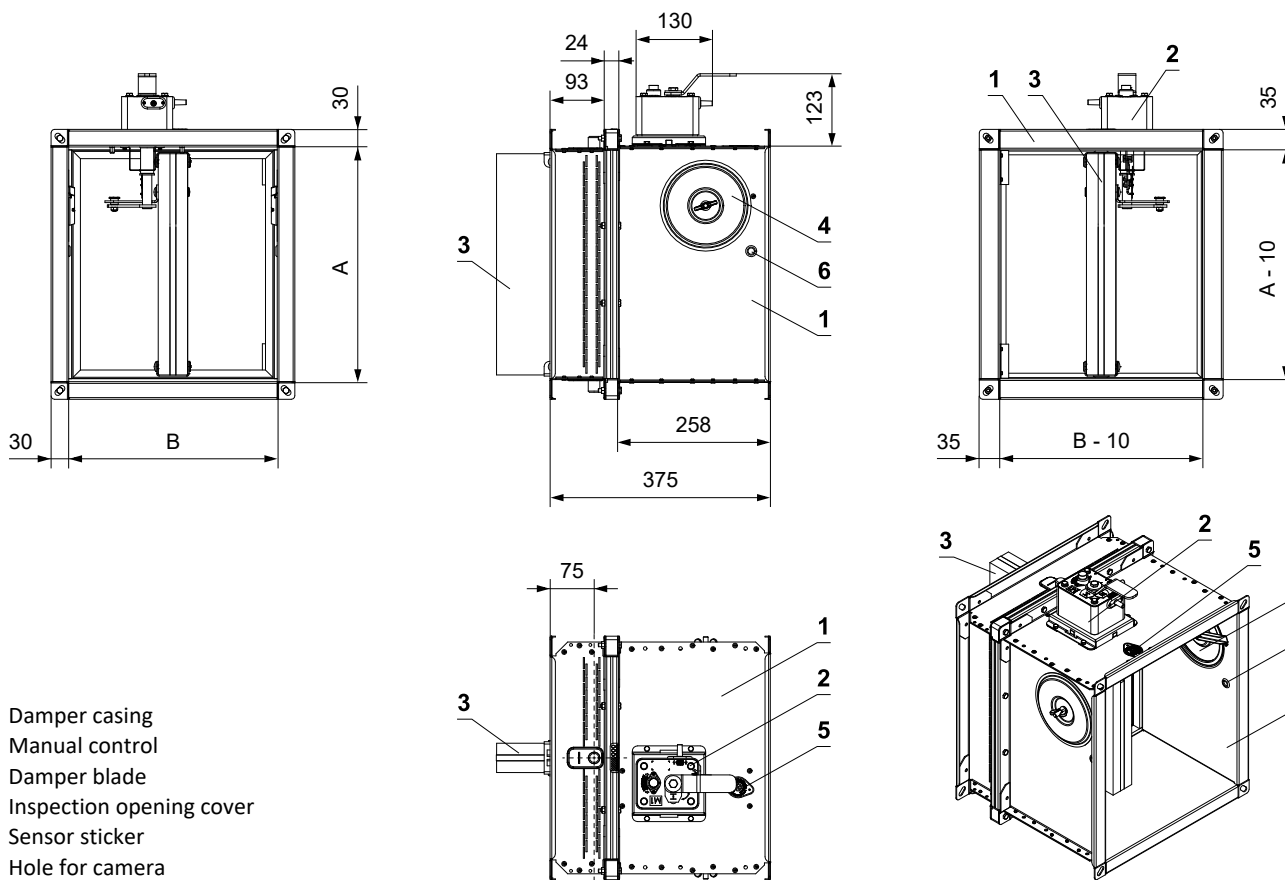
Communication and control module MDCM

- The MDCM damper control module is connected on a bi directional communication loop back to a control panel, typically located at the FCC.
- Each MDCM has a 230v local spur to power the damper actuator.
- Up to 96x MDCM's can be connected on one loop and multiple loops can be incorporated.
- This accessory is only required with MANDIK control systems.
- Max terminal size in MDCM 2.5 mm²

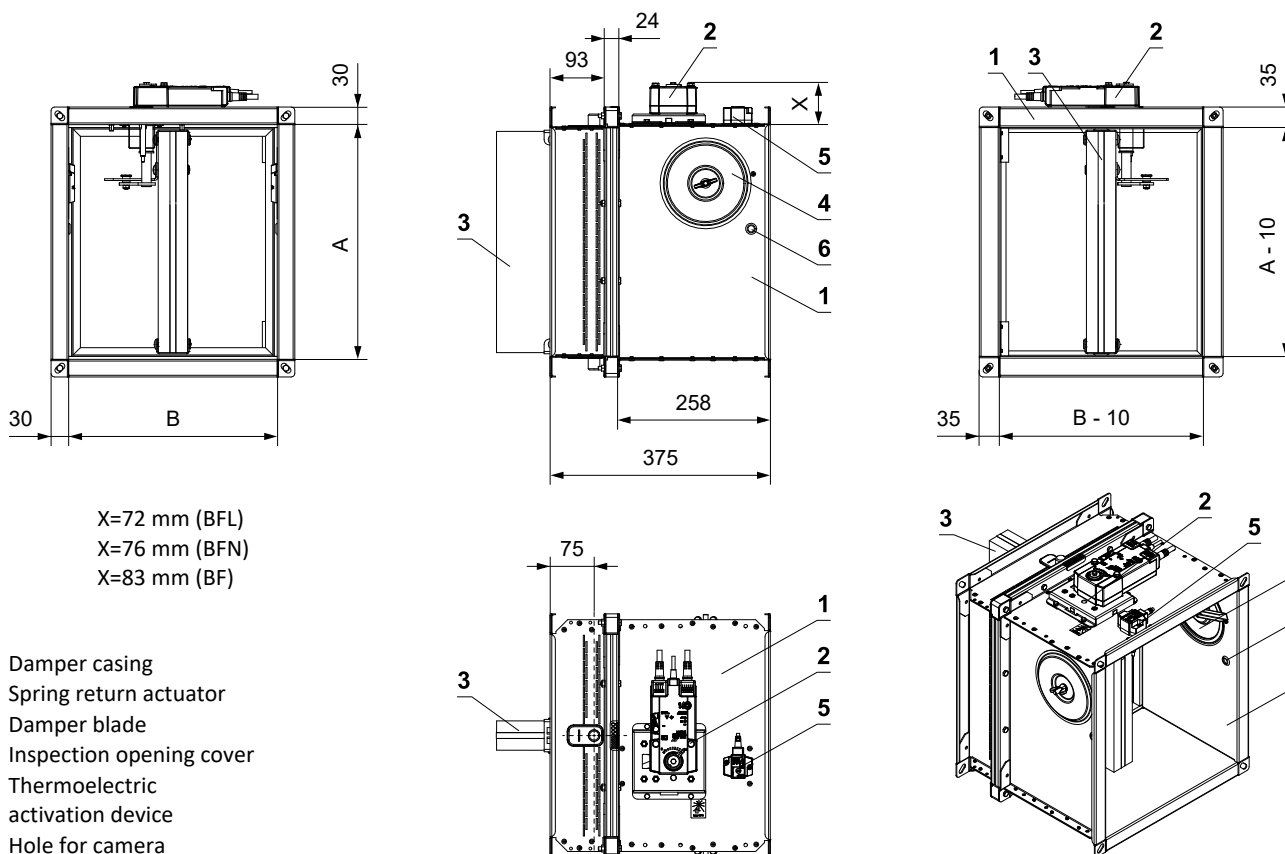


III. DIMENSIONS

FDMQ 120 with manual control

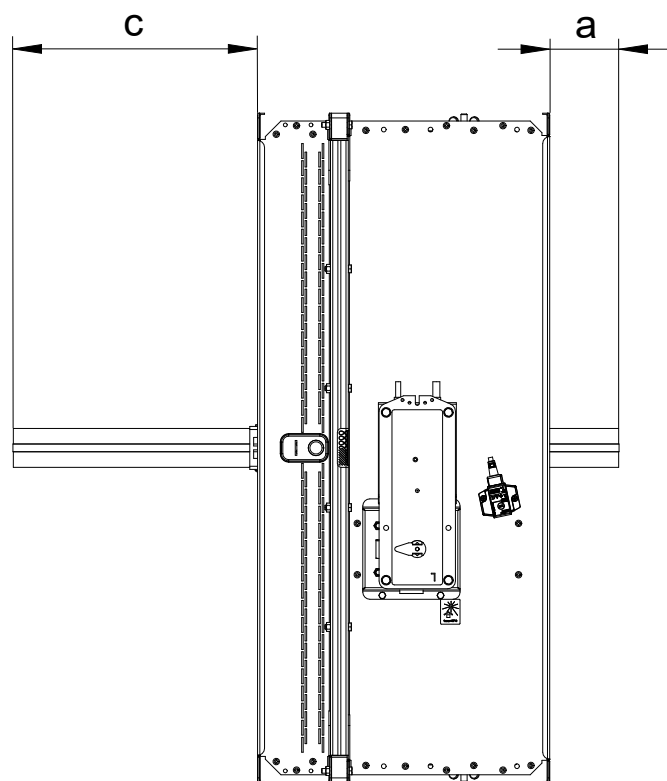


FDMQ 120 with spring return actuator



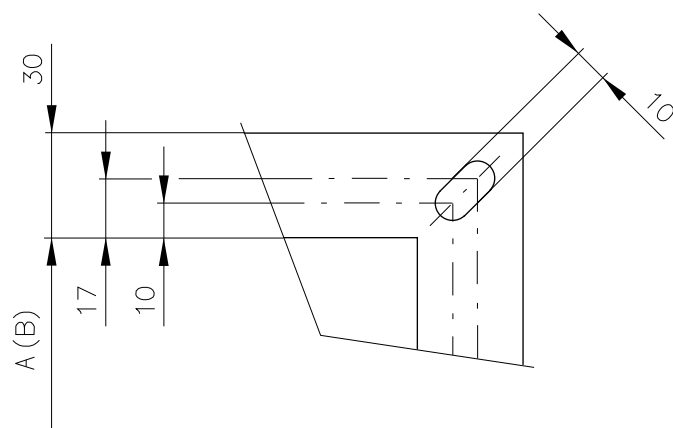
Damper blade overlaps

- Open damper blade overlaps the damper body by the value "c" or "a". These values are specified in chapter Technical parameters → see pages 14 to 19

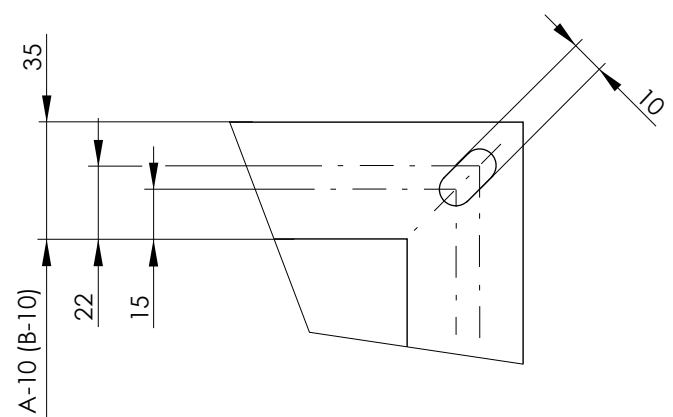


Values "a" and "c" has to be respected when projecting following air-conditioning duct.

Flange of a damper - CONTROL SIDE



Flange of a damper - INSTALLATION SIDE



30 mm wide flanges are fitted with oval holes in the corners

Technical parameters

A x B [mm]	Damper blade overlaps		Weight		Effective area Sef [m²]	Spring return actuator	Manual control	A x B [mm]	Damper blade overlaps		Weight		Effective area Sef [m²]	Spring return actuator	Manual control									
	a [mm]	c [mm]	Man. [kg]	Actu. [kg]*					a [mm]	c [mm]	Man. [kg]	Actu. [kg]*												
150 x	-	-	8	8,1	0,0094	BFL	M1	200 x	650	3	248	19,5	22,5	0,1006	BFL									
	-	13	8,5	8,6	0,0131				700	28	273	20,5	25	0,1094										
	-	23	8,9	9	0,0156				710	33	278	21	24	0,1111	BFN	M2								
	-	35,5	9,4	9,5	0,0188				750	53	298	21,5	24,5	0,1181										
	-	48	9,9	10	0,0219				800	78	323	23	26	0,1269										
	-	63	10,5	10,6	0,0256				150	-	-	9,5	9,7	0,0150										
	-	73	11,1	11,2	0,0281				180	-	13	10	11,5	0,0210	BFL	M1								
	-	80,5	11,4	11,5	0,0300				200	-	23	10,5	12	0,0250										
	-	100,5	12,4	12,6	0,0350				225	-	36	11	12,5	0,0300										
	-	123	13,5	13,6	0,0406				250	-	48	11,5	13	0,0350										
	-	148	14,5	14,6	0,0469				280	-	63	12	13,5	0,0410			M1							
	-	173	15,5	15,6	0,0531				300	-	73	12,5	14	0,0450										
	-	198	16,4	16,6	0,0594				315	-	80,5	13	14,5	0,0480			BFL							
	-	203	16,6	16,8	0,0606				355	-	100,5	14	15,5	0,0560										
	-	223	17,4	17,5	0,0656				400	-	123	15	16,5	0,0650			BFL	M2						
	-	238	18	18,1	0,0694				450	-	148	16	17,5	0,0750										
	180 x	-	-	8,8	8,9				0,0116	BFL	M1	225 x	500	-					173	17	18,5	0,0850	BFL	M2
		-	13	9	10,5				0,0163				550	-					198	18	19,5	0,0950		
-		23	9,5	11	0,0194	560	-	203	18				19,5	0,0970										
-		36	10,0	11,5	0,0233	600	-	223	19				20,5	0,1050										
-		48	10,5	12	0,0271	630	-	238	19,5				21	0,1110										
-		63	11	12,5	0,0318	650	3	248	20				21,5	0,1150					BFN					
-		73	11,5	13	0,0349	700	28	273	21				22,5	0,1250										
-		80,5	12	13,5	0,0372	710	33	278	21				22,5	0,1270					BFL	M2				
-		100,5	13	14,5	0,0434	750	53	298	22				23,5	0,1350										
-		123	14	15,5	0,0504	800	78	323	23				24,5	0,1450										
-		148	15	16,5	0,0581	150	-	-	10				10,1	0,0169										
-		173	16	17,5	0,0659	180	-	13	10,5				12	0,0236	BFL	M1								
-		198	17	18,5	0,0736	200	-	23	10,5				12,5	0,0281										
-		203	17	18,5	0,0752	225	-	36	11				13	0,0338										
-		223	18	19,5	0,0814	250	-	48	12				13,5	0,0394										
-		238	18,5	20	0,0860	280	-	63	13				14,5	0,0461							M1			
3		248	19	20,5	0,0891	300	-	73	13				15	0,0506										
28		273	20	21,5	0,0969	315	-	80,5	13,5				15	0,0540			BFL	M2						
33	278	20	21,5	0,0984	355	-	100,5	14,5	16	0,0630														
53	298	21	22,5	0,1046	400	-	123	15,5	17	0,0731														
78	323	22	23,5	0,1124	450	-	148	16,5	19,5	0,0844														
200 x	-	-	9,1	9,2	0,0131	BFL	M1	250 x	500	-	173	18	21	0,0956							BFL	M2		
	-	13	9,5	11	0,0184				550	-	198	19	22	0,1069										
	-	23	10	11,5	0,0219				560	-	203	19	22	0,1091										
	-	36	10,5	13,5	0,0263				600	-	223	20	23	0,1181										
	-	48	11	12,5	0,0306				630	-	238	21	24	0,1249										
	-	63	11,5	14,5	0,0359				650	3	248	21,5	24,5	0,1294					BFN					
	-	73	12	13,5	0,0394				700	28	273	22,5	25,5	0,1406										
	-	80,5	12,5	14	0,0420				710	33	278	23	26	0,1429					BFL	M3				
	-	100,5	13	15	0,0490				750	53	298	23,5	26,5	0,1519										
	-	123	14	16	0,0569				800	78	323	25	28	0,1631										
	-	148	15	18	0,0656				150	-	-	10,5	10,6	0,0191										
	-	173	16,5	18	0,0744				180	-	13	11	12,5	0,0268	BFL	M1								
	-	198	17,5	20,5	0,0831				200	-	23	11,5	13,5	0,0319										
	-	203	17,5	20,5	0,0849				225	-	36	12	14	0,0383										
	-	223	18,5	23	0,0919				250	-	48	13	14,5	0,0446										
	-	238	19	22	0,0971				280	-	63	14	15,5	0,0523										

Sizes in increments of 5 mm can be manufactured on request.

A x B [mm]	Damper blade overlaps		Weight		Effective area Sef [m ²]	Spring return actuator	Manual control	A x B [mm]	Damper blade overlaps		Weight		Effective area Sef [m ²]	Spring return actuator	Manual control	
	a [mm]	c [mm]	Man. [kg]	Actu. [kg]*					a [mm]	c [mm]	Man. [kg]	Actu. [kg]*				
280 x	300	-	73	14	16	0,0574	BFL	M1	710	33	278	25	28	0,1842	BFL	M2
	315	-	80,5	14,5	16,5	0,0612			750	53	298	26	29	0,1958		
	355	-	100,5	15,5	17,5	0,0714			800	78	323	27,5	30,5	0,2103		
	400	-	123	17	18,5	0,0829			150	-	-	11,8	11,9	0,0248		
	450	-	148	18	21	0,0956			180	-	13	13	14,5	0,0347		
	500	-	173	19,5	22,5	0,1084			200	-	23	13	14,5	0,0413		
	550	-	198	20,5	23,5	0,1211	225	-	36	13,5	15	0,0495				
	560	-	203	21	24	0,1237	250	-	48	14	16	0,0578				
	600	-	223	22	25	0,1339	280	-	63	15	17	0,0677				
	630	-	238	22,5	25,5	0,1415	300	-	73	15,5	17	0,0743				
	650	3	248	23	26	0,1466	315	-	80,5	16	17,5	0,0792				
	700	28	273	24,5	27,5	0,1594	355	-	100,5	17	18,5	0,0924				
	710	33	278	24,5	27,5	0,1619	400	-	123	18	20	0,1073				
	750	53	298	25,5	28,5	0,1721	450	-	148	19,5	22,5	0,1238				
	800	78	323	27	30	0,1849	500	-	173	21	24	0,1403				
	300 x	150	-	-	10,8	11	0,0206	BFL	M1	550	-	198	22,5	25,5	0,1568	BFL
180		-	13	11,5	13	0,0289	560			-	203	22,5	25,5	0,1601		
200		-	23	11,5	13,5	0,0344	600			-	223	23,5	26,5	0,1733		
225		-	36	12	14	0,0413	630			-	238	24,5	27,5	0,1832		
250		-	48	13	14,5	0,0481	650			3	248	25	28	0,1898		
280		-	63	14	15,5	0,0564	700			28	273	26,5	29,5	0,2063		
300		-	73	14	16	0,0619	710	33	278	26,5	29	0,2096				
315		-	80,5	14,5	16,5	0,0660	750	53	298	27,5	30,5	0,2228				
355		-	100,5	15,5	17,5	0,0770	800	78	323	29	32	0,2393				
400		-	123	17	18,5	0,0894	150	-	-	12,6	12,7	0,0281				
450		-	148	18	21	0,1031	180	-	13	13,5	15,5	0,0394				
500		-	173	19,5	22,5	0,1169	200	-	23	14	15,5	0,0469				
550		-	198	20,5	23,5	0,1306	225	-	36	14,5	16,5	0,0563				
560		-	203	21	24	0,1334	250	-	48	15	17	0,0656				
600		-	223	22	25	0,1444	280	-	63	16	18	0,0769				
630		-	238	22,5	25,5	0,1526	300	-	73	16,5	18	0,0844				
650	3	248	23	26	0,1581	315	-	80,5	17	18,5	0,0900					
700	28	273	24,5	27,5	0,1719	355	-	100,5	18	20	0,1050					
710	33	278	24,5	27,5	0,1746	400	-	123	19,5	21	0,1219					
750	53	298	25,5	28,5	0,1856	450	-	148	21	24	0,1406					
800	78	323	27	30	0,1994	500	-	173	22,5	25,5	0,1594					
315 x	150	-	-	11,8	11,9	0,0218	BFL	M1	550	-	198	23,5	26,5	0,1781	BFL	M2
	180	-	13	12	13,5	0,0305			560	-	203	24	27	0,1819		
	200	-	23	12	13,5	0,0363			600	-	223	25,5	28,5	0,1969		
	225	-	36	12,5	14	0,0435			630	-	238	26	29	0,2081		
	250	-	48	13,5	15	0,0508			650	3	248	26,5	29,5	0,2156		
	280	-	63	14,5	16	0,0595			700	28	273	28	31,5	0,2344		
	300	-	73	14,5	16,5	0,0653	710	33	278	28,5	31,5	0,2381				
	315	-	80,5	15	16,5	0,0696	750	53	298	29,5	32,5	0,2531				
	355	-	100,5	16	17,5	0,0812	800	78	323	31	34	0,2719				
	400	-	123	17	19	0,0943	150	-	-	13,5	13,6	0,0319				
	450	-	148	18,5	21,5	0,1088	180	-	13	14,5	16,5	0,0446				
	500	-	173	19,5	22,5	0,1233	200	-	23	15	16,5	0,0531				
	550	-	198	21	24	0,1378	225	-	36	15,5	17,5	0,0638				
	560	-	203	21,5	24,5	0,1407	250	-	48	16	18	0,0744				
	600	-	223	22,5	25,5	0,1680	280	-	63	17	19	0,0871				
	630	-	238	23	26	0,1610	300	-	73	17,5	19,5	0,0956				
650	3	248	23,5	26,5	0,1668	315	-	80,5	18	20	0,1020					
700	28	273	25	28	0,1813	355	-	100,5	19,5	21	0,1190					

Sizes in increments of 5 mm can be manufactured on request.

A x B [mm]	Damper blade overlaps		Weight		Effective area Sef [m ²]	Spring return actuator	Manual control	A x B [mm]	Damper blade overlaps		Weight		Effective area Sef [m ²]	Spring return actuator	Manual control		
	a [mm]	c [mm]	Man. [kg]	Actu. [kg]*					a [mm]	c [mm]	Man. [kg]	Actu. [kg]*					
450 x	400	-	123	20,5	22,5	0,1381	BFL	M1	560 x	150	-	-	15,4	15,5	0,0401		
	450	-	148	22	25	0,1594				180	-	13	16,5	18,5	0,0562		
	500	-	173	24	27	0,1806				200	-	23	17	18,5	0,0669		
	550	-	198	25,5	28,5	0,2019				225	-	36	17,5	19,5	0,0803		
	560	-	203	25,5	28,5	0,2061	BFN			250	-	48	18,5	20	0,0936	BFL	M1
	600	-	223	27	30	0,2231		M2		280	-	63	19,5	21	0,1097		
	630	-	238	27,5	30,5	0,2359				300	-	73	20	22	0,1204		
	650	3	248	28,5	31,5	0,2444				315	-	80,5	20,5	22,5	0,1284		
	700	28	273	30	33	0,2656				355	-	100,5	22	23,5	0,1498		
	710	33	278	30	33	0,2699	BF			400	-	123	23,5	25,5	0,1739		
	750	53	298	31,5	34,5	0,2869		M3		450	-	148	25,5	28,5	0,2006		
	800	78	323	33	36	0,3081				500	-	173	27	30	0,2274	BFN	
	150	-	-	14,3	14,5	0,0356				550	-	198	29	32	0,2541		
	180	-	13	15,5	17	0,0499				560	-	203	29,5	32,5	0,2595		M2
200	-	23	16	17,5	0,0594			600	-	223	31	34	0,2809				
225	-	36	16,5	18	0,0713			630	-	238	31,5	34,5	0,2969				
250	-	48	17	19	0,0831	BFL	M1	650	3	248	32	35	0,3076				
280	-	63	18	20	0,0974			700	28	273	34	37	0,3344	BF			
300	-	73	19	20,5	0,1069			710	33	278	34,5	37,5	0,3397				
315	-	80,5	19,5	21	0,1140			750	53	298	35,5	38,5	0,3611		M3		
355	-	100,5	20,5	22,5	0,1330			800	78	323	37,5	40,5	0,3879				
400	-	123	22	23,5	0,1544			150	-	-	16,1	16,2	0,0431				
450	-	148	23,5	26,5	0,1781	BFN		180	-	13	17,5	19,5	0,0604				
500	-	173	25,5	28,5	0,2019			200	-	23	18	20,5	0,0719				
550	-	198	27	30	0,2256			225	-	36	18,5	21,5	0,0863				
560	-	203	27	30	0,2304	BFN	M2	250	-	48	19	22	0,1006	BFL	M1		
600	-	223	28,5	31,5	0,2494			280	-	63	20	23	0,1179				
630	-	238	29,5	32,5	0,2636			300	-	73	21	24	0,1294				
650	3	248	30	33	0,2731			315	-	80,5	21,5	24,5	0,1380				
700	28	273	32	35	0,2969			355	-	100,5	23	26	0,1610				
710	33	278	32	35	0,3016	BF		400	-	123	24,5	27,5	0,1869				
750	53	298	33,5	36,5	0,3206		M3	450	-	148	26,5	29,5	0,2156				
800	78	323	35	38	0,3444			500	-	173	28,5	31,5	0,2444	BFN			
150	-	-	15,2	15,3	0,0394			550	-	198	30	33	0,2731				
180	-	13	16,5	18	0,0551			560	-	203	30,5	33,5	0,2789		M2		
200	-	23	17	18,5	0,0656			600	-	223	32	35	0,3019				
225	-	36	17,5	19	0,0788			630	-	238	33	36	0,3191				
250	-	48	18	20	0,0919	BFL	M1	650	3	248	33,5	36,5	0,3306				
280	-	63	19	21	0,1076			700	28	273	35,5	38,5	0,3594	BF			
300	-	73	20	21,5	0,1181			710	33	278	36	39	0,3651				
315	-	80,5	20,5	22	0,1260			750	53	298	37,5	40,5	0,3881		M3		
355	-	100,5	22	23,5	0,1470			800	78	323	39	42	0,4169				
400	-	123	23,5	25	0,1706			150	-	-	16,6	16,7	0,0454				
450	-	148	25	28	0,1969	BFN		180	-	13	18	20	0,0635				
500	-	173	27	30	0,2231			200	-	23	18,5	21	0,0756				
550	-	198	28,5	31,5	0,2494			225	-	36	19	22	0,0908				
560	-	203	29	32	0,2546		M2	250	-	48	20	23	0,1059	BFL	M1		
600	-	223	30,5	33,5	0,2756			280	-	63	21	24	0,1240				
630	-	238	31	34	0,2914			300	-	73	21,5	24,5	0,1361				
650	3	248	32	35	0,3019			315	-	80,5	22,5	25,5	0,1452				
700	28	273	34	37	0,3281			355	-	100,5	24	27	0,1694				
710	33	278	34	37	0,3334	BF		400	-	123	25,5	28,5	0,1966				
750	53	298	35,5	38,5	0,3544		M3	450	-	148	27,5	30,5	0,2269	BFN	M2		
800	78	323	37	40	0,3806			500	-	173	29	32	0,2571				

Sizes in increments of 5 mm can be manufactured on request.

A x B [mm]	Damper blade overlaps		Weight		Effective area Sef [m ²]	Spring return actuator	Manual control	A x B [mm]	Damper blade overlaps		Weight		Effective area Sef [m ²]	Spring return actuator	Manual control
	a [mm]	c [mm]	Man. [kg]	Actu. [kg]*					a [mm]	c [mm]	Man. [kg]	Actu. [kg]*			
630 x	-	198	31	34	0,2874	BFN		225	-	36	21,5	23,5	0,1028		
	-	203	31,5	34,5	0,2934			250	-	48	22	24,5	0,1199		
	-	223	33	36	0,3176			280	-	63	23	26	0,1404		
	-	238	34	37	0,3358	M2		300	-	73	23,5	26,5	0,1541	BFL	
	3	248	34,5	37,5	0,3479			315	-	80,5	24	27	0,1644		
	28	273	36,5	39,5	0,3781	BF		355	-	100,5	25,5	28,5	0,1918		
	33	278	37	40	0,3842			400	-	123	27,5	30,5	0,2226		
	53	298	38,5	41,5	0,4084	M3		450	-	148	29,5	32,5	0,2569	BFN	
	78	323	40,5	43,5	0,4386			500	-	173	31,5	34,5	0,2911		
	650 x	-	-	17	17,1	0,0469			550	-	198	33,5	36,5	0,3254	
-		13	19	20,5	0,0656	560			-	203	34	37	0,3322		
-		23	20	21,5	0,0781	600			-	223	35,5	38,5	0,3596		
-		36	21	22,5	0,0938	BFL	M1	630	-	238	36,5	39,5	0,3802		
-		48	22	23,5	0,1094			650	3	248	37,5	40,5	0,3939		
-		63	23	24,5	0,1281			700	28	273	39,5	42,5	0,4281	BF	
-		73	24	25,5	0,1406			710	33	278	40	43	0,4350		
-		80,5	24,5	26	0,1500			750	53	298	41,5	44,5	0,4624		M3
-		100,5	26	27,5	0,1750			800	78	323	43,5	46,5	0,4966		
400		-	123	28	29,5	0,2031			150	-	-	18,7	18,8	0,0544	
450	-	148	30	31,5	0,2344	180			-	13	21	22,5	0,0761		
500	-	173	32	33,5	0,2656	BFN		200	-	23	22	23,5	0,0906		M1
550	-	198	34	35,5	0,2969			225	-	36	22,5	24,5	0,1088		
560	-	203	34,5	37,5	0,3031	M2		250	-	48	23	25,5	0,1269	BFL	
600	-	223	36	39	0,3281			280	-	63	24	27	0,1486		
630	-	238	37	40	0,3469			300	-	73	24,5	27,5	0,1631		
650	3	248	38	41	0,3594			315	-	80,5	25	28	0,1740		
700	28	273	40	43	0,3906	BF		355	-	100,5	26,5	29,5	0,2030		
710	33	278	40,5	43,5	0,3969			400	-	123	28,5	31,5	0,2356		
750	53	298	42	45	0,4219	M3		450	-	148	30,5	33,5	0,2719	BFN	M2
800	78	323	44	47	0,4531			500	-	173	32,5	35,5	0,3081		
700 x	-	-	17,8	18	0,0506			550	-	198	35	38	0,3444		
	-	13	20	21,5	0,0709			560	-	203	35	38,5	0,3516		
	-	23	21	22,5	0,0844			600	-	223	37	40,5	0,3806		
	-	36	22	23,5	0,1013	BFL	M1	630	-	238	38	41	0,4024		
	-	48	23	24,5	0,1181			650	3	248	39	42	0,4169		
	-	63	24,5	26	0,1384			700	28	273	41,5	44,5	0,4531	BF	
	-	73	25,5	27	0,1519			710	33	278	41,5	44,5	0,4604		
	-	80,5	26	27,5	0,1620			750	53	298	43	46	0,4894		M3
	-	100,5	27,5	29	0,1890			800	78	323	45	48	0,5256		
	400	-	123	29,5	31	0,2194	BFN		150	-	-	19,6	19,7	0,0581	
450	-	148	31,5	33	0,2531	180			-	13	22	23,5	0,0814		
500	-	173	33,5	35	0,2869	M2		200	-	23	23	24,5	0,0969		M1
550	-	198	35,5	38,5	0,3206			225	-	36	23,5	25,5	0,1163		
560	-	203	36	39	0,3274			250	-	48	24	26,5	0,1356	BFL	
600	-	223	37,5	40,5	0,3544			280	-	63	25	28	0,1589		
630	-	238	39	42	0,3746			300	-	73	25,5	28,5	0,1744		
650	3	248	40	43	0,3881			315	-	80,5	26,5	29,5	0,1860		
700	28	273	42	45	0,4219	BF		355	-	100,5	28	31	0,2170		
710	33	278	42,5	45,5	0,4286			400	-	123	30	33	0,2519		
750	53	298	44	47	0,4556	M3		450	-	148	32	35	0,2906	BFN	M2
800	78	323	46	49	0,4894			500	-	173	34	37	0,3294		
710 x	-	-	18	18,1	0,0514			550	-	198	36,5	39,5	0,3681		BF
	-	13	20	21,5	0,0719			560	-	203	37	40	0,3759		
	-	23	21	22,5	0,0856			600	-	223	39	42	0,4069		

Sizes in increments of 5 mm can be manufactured on request.

A x B [mm]	Damper blade overlaps		Weight		Effective area Sef [m ²]	Spring return actuator	Manual control	A x B [mm]	Damper blade overlaps		Weight		Effective area Sef [m ²]	Spring return actuator	Manual control																																																																																																																																																																																																																																																																																																																																																																																																																																																																																																																																																																																																																																																																																																																																																																																																																																			
	a [mm]	c [mm]	Man. [kg]	Actu. [kg]*					a [mm]	c [mm]	Man. [kg]	Actu. [kg]*																																																																																																																																																																																																																																																																																																																																																																																																																																																																																																																																																																																																																																																																																																																																																																																																																																						
800 x	630	-	238	40	43	0,4301	BF	M3	315	-	80,5	36	37,5	0,2580	BFN	M2																																																																																																																																																																																																																																																																																																																																																																																																																																																																																																																																																																																																																																																																																																																																																																																																																																		
	650	3	248	40,5	43,5	0,4456			700	28	273	43	46	0,4844			710	33	278	43,5	46,5	0,4921	750	53	298	45	48	0,5231	800	78	323	47	50	0,5619	900 x	150	-	-	21,3	21,5	0,0656	BF	M1	500	-	173	43	46	0,4569	BF	M3	180	-	13	24	25,5	0,0919	200	-	23	25	26,5	0,1094	225	-	36	26,5	28	0,1313	250	-	48	28	29,5	0,1531	280	-	63	29,5	31	0,1794	300	-	73	30	31,5	0,1969	315	-	80,5	30,5	32	0,2100	355	-	100,5	31	33,5	0,2450	400	-	123	32,5	35,5	0,2844	450	-	148	35	38	0,3281	500	-	173	37	40	0,3719	550	-	198	39,5	42,5	0,4156	560	-	203	40	43	0,4244	600	-	223	42	45	0,4594	1000 x	630	-	238	43,5	46,5	0,4856	BF	M3	600	-	223	42	45	0,4594	BFN	M2	650	3	248	44,5	47,5	0,5031	700	28	273	47	50	0,5469	710	33	278	47	50	0,5556	750	53	298	49	52	0,5906	800	78	323	51,5	54,5	0,6344	150	-	-	23,1	23,2	0,0731	BF	M1	180	-	13	26	27,5	0,1024	200	-	23	27	28,5	0,1219	225	-	36	28,5	30	0,1463	250	-	48	30	31,5	0,1706	280	-	63	31,5	33	0,1999	300	-	73	32,5	34	0,2194	315	-	80,5	33,5	35	0,2340	355	-	100,5	35,5	37	0,2730	400	-	123	35	38	0,3169	450	-	148	37,5	40,5	0,3656	500	-	173	40	43	0,4144	550	-	198	42,5	45,5	0,4631	560	-	203	43	46	0,4729	600	-	223	45	48	0,5119	1100 x	630	-	238	47	50	0,5411	BF	M3	630	-	238	47	50	0,5411	BFN	M2	650	3	248	48	51	0,5606	700	28	273	51	54	0,6094	710	33	278	51	54	0,6191	750	53	298	53	56	0,6581	800	78	323	55,5	58,5	0,7069	180	-	13	28	29,5	0,1129	BF	M1	200	-	23	29	30,5	0,1344	225	-	36	30,5	32	0,1613	250	-	48	32	33,5	0,1881	280	-	63	34	35,5	0,2204	300	-	73	35	36,5	0,2419	180	-	13	31	32,5	0,1286	BF	M2	200	-	23	32,5	34	0,1531	225	-	36	34	35,5	0,1838	250	-	48	35,5	37	0,2144	280	-	63	37,5	39	0,2511	300	-	73	39	40,5	0,2756	315	-	80,5	40	41,5	0,2940	355	-	100,5	42,5	45,5	0,3430	400	-	123	45,5	48,5	0,3981	450	-	148	49	52	0,4594	500	-	173	47,5	50,5	0,5206	550	-	198	50,5	53,5	0,5819	560	-	203	51,5	54,5	0,5941	600	-	223	54	57	0,6431	1400 x	630	-	238	55,5	58,5	0,7631	BF	M3	650	3	248	56,5	59,5	0,7906	700	28	273	60	63	0,7656	710	33	278	60	63	0,7779	750	53	298	62,5	65,5	0,8269	800	78	323	65,5	68,5	0,8881	180	-	13	34	35,5	0,1444	BF	M4	200	-	23	35,5	37	0,1719	225	-	36	37,5	39	0,2063	250	-	48	39,5	41	0,2406	280	-	63	41,5	43	0,2819	300	-	73	43	44,5	0,3094	315	-	80,5	44	47	0,3300	355	-	100,5	47	50	0,3850	400	-	123	50	53	0,4469	450	-	148	53,5	56,5	0,5156	500	-	173	52	55	0,5844	550	-	198	55,5	58,5	0,6531	560	-	203	56	59	0,6669	600	-	223	59	62	0,7219	1100 x	630	-	238	60,5	63,5	0,7631	BF	M4	650	3	248	62	65	0,7906	700	28	273	65,5	68,5	0,8594	710	33	278	66	69	0,8731	750	53	298	68,5	71,5	0,9281	800	78	323	71,5	74,5	0,9969																																																																																																																																																																																																																	
	700	28	273	43	46	0,4844			710	33	278	43,5	46,5	0,4921			750	53	298	45	48	0,5231	800	78	323	47	50	0,5619	900 x	150	-	-	21,3	21,5		0,0656	BF	M1	500	-	173			43	46	0,4569	BF	M3	180			-	13	24	25,5	0,0919	200	-	23	25	26,5	0,1094	225	-	36	26,5	28	0,1313	250	-	48	28	29,5	0,1531	280	-	63	29,5	31	0,1794	300	-	73	30	31,5	0,1969	315	-	80,5	30,5	32	0,2100	355	-	100,5	31	33,5	0,2450	400	-	123	32,5	35,5	0,2844	450	-	148	35	38	0,3281	500	-	173	37	40	0,3719	550	-	198	39,5	42,5	0,4156	560	-	203	40	43	0,4244	600	-	223	42	45	0,4594	1000 x		630	-	238	43,5	46,5	0,4856			BF	M3	600	-	223	42			45	0,4594	BFN	M2	650	3	248	44,5	47,5	0,5031	700	28	273	47	50	0,5469	710	33	278	47	50	0,5556	750	53	298	49	52	0,5906	800	78	323	51,5	54,5	0,6344	150	-			-	23,1	23,2	0,0731	BF	M1	180	-	13	26	27,5	0,1024	200	-	23	27	28,5	0,1219	225	-	36	28,5	30	0,1463	250	-	48	30	31,5	0,1706	280	-	63	31,5	33	0,1999	300	-	73	32,5	34	0,2194	315	-	80,5	33,5	35	0,2340	355	-	100,5	35,5	37	0,2730	400	-	123	35	38	0,3169	450	-	148	37,5	40,5	0,3656	500	-	173	40	43	0,4144	550	-	198	42,5	45,5	0,4631	560	-	203	43	46	0,4729		600	-	223	45	48	0,5119			1100 x	630	-	238	47	50			0,5411	BF	M3	630	-	238	47	50	0,5411	BFN	M2	650	3	248	48	51	0,5606	700	28	273	51	54	0,6094	710	33	278	51	54	0,6191	750	53	298	53	56	0,6581	800			78	323	55,5	58,5	0,7069	180	-	13	28	29,5	0,1129	BF	M1	200	-	23	29	30,5	0,1344	225	-	36	30,5	32	0,1613	250	-	48	32	33,5	0,1881	280	-	63	34	35,5			0,2204	300	-	73	35	36,5	0,2419	180	-	13	31	32,5	0,1286	BF	M2	200	-	23	32,5	34	0,1531	225	-	36	34	35,5	0,1838	250	-	48	35,5	37	0,2144	280	-	63	37,5	39	0,2511	300	-	73	39	40,5	0,2756	315	-	80,5	40	41,5	0,2940	355	-	100,5	42,5	45,5	0,3430	400	-	123	45,5	48,5	0,3981	450	-	148	49	52	0,4594	500	-	173	47,5	50,5	0,5206	550	-	198		50,5	53,5	0,5819	560	-	203			51,5	54,5	0,5941	600	-	223	54	57	0,6431	1400 x	630	-	238	55,5	58,5	0,7631	BF	M3	650	3	248	56,5	59,5	0,7906	700	28	273	60	63	0,7656	710	33	278	60	63	0,7779			750	53	298	62,5	65,5	0,8269	800	78	323	65,5	68,5	0,8881	180	-	13	34	35,5	0,1444	BF	M4	200	-	23	35,5	37	0,1719	225	-	36	37,5	39	0,2063	250	-	48	39,5	41	0,2406	280	-	63	41,5	43	0,2819	300	-	73	43	44,5	0,3094	315	-	80,5	44	47	0,3300	355	-	100,5	47	50	0,3850	400	-	123	50	53	0,4469	450	-	148	53,5	56,5	0,5156	500	-	173	52		55	0,5844	550	-	198	55,5			58,5	0,6531	560	-	203	56	59	0,6669	600	-	223	59	62	0,7219	1100 x	630	-	238	60,5	63,5	0,7631	BF	M4	650	3	248	62	65	0,7906	700	28	273	65,5	68,5	0,8594	710	33	278	66	69	0,8731	750	53	298	68,5	71,5	0,9281	800	78	323	71,5	74,5	0,9969																																																																																																																																																																																										
	710	33	278	43,5	46,5	0,4921			750	53	298	45	48	0,5231			800	78	323	47	50	0,5619	900 x	150	-	-	21,3	21,5		0,0656	BF	M1	500	-		173			43	46	0,4569			BF	M3	180			-			13	24	25,5	0,0919	200	-	23	25	26,5	0,1094	225	-	36	26,5	28	0,1313	250	-	48	28	29,5	0,1531	280	-	63	29,5	31	0,1794	300	-	73	30	31,5	0,1969	315	-	80,5	30,5	32	0,2100	355	-	100,5	31	33,5	0,2450	400	-	123	32,5	35,5	0,2844	450	-	148	35	38	0,3281	500	-	173	37	40	0,3719	550	-	198	39,5	42,5	0,4156	560	-	203	40	43	0,4244	600	-	223	42	45	0,4594	1000 x			630	-	238	43,5	46,5	0,4856					BF	M3	600	-			223	42			45	0,4594	BFN	M2	650	3	248	44,5	47,5	0,5031	700	28	273	47	50	0,5469	710	33	278	47	50	0,5556	750	53	298	49	52	0,5906	800	78	323	51,5			54,5	0,6344	150	-			-	23,1	23,2	0,0731	BF	M1	180	-	13	26	27,5	0,1024	200	-	23	27	28,5	0,1219	225	-	36	28,5	30	0,1463	250	-	48	30	31,5	0,1706	280	-	63	31,5	33	0,1999	300	-	73	32,5	34	0,2194	315	-	80,5	33,5	35	0,2340	355	-	100,5	35,5	37	0,2730	400	-	123	35	38	0,3169	450	-	148	37,5	40,5	0,3656	500	-	173	40	43	0,4144	550	-	198	42,5	45,5	0,4631		560	-	203	43	46	0,4729				600	-	223	45	48			0,5119			1100 x	630	-	238	47	50			0,5411	BF	M3	630	-	238	47	50	0,5411	BFN	M2	650	3	248	48	51	0,5606	700	28	273	51	54	0,6094	710	33			278	51	54	0,6191	750	53	298	53	56	0,6581	800			78	323	55,5	58,5	0,7069	180	-	13	28	29,5	0,1129	BF	M1	200	-	23	29	30,5	0,1344	225	-	36	30,5			32	0,1613	250	-	48	32	33,5	0,1881	280	-	63	34	35,5			0,2204	300	-	73	35	36,5	0,2419	180	-	13	31	32,5	0,1286	BF	M2	200	-	23	32,5	34	0,1531	225	-	36	34	35,5	0,1838	250	-	48	35,5	37	0,2144	280	-	63	37,5	39	0,2511	300	-	73	39	40,5	0,2756	315	-	80,5	40	41,5	0,2940	355	-	100,5	42,5	45,5	0,3430	400	-	123	45,5	48,5	0,3981		450	-	148	49	52	0,4594			500	-	173	47,5	50,5	0,5206	550	-	198		50,5	53,5	0,5819	560	-	203			51,5	54,5	0,5941	600	-	223	54	57	0,6431	1400 x	630	-	238	55,5	58,5	0,7631	BF	M3			650	3	248	56,5	59,5	0,7906	700	28	273	60	63	0,7656	710	33	278	60	63	0,7779			750	53	298	62,5	65,5	0,8269	800	78	323	65,5	68,5	0,8881	180	-	13	34	35,5	0,1444	BF	M4	200	-	23	35,5	37	0,1719	225	-	36	37,5	39	0,2063	250	-	48	39,5	41	0,2406	280	-	63	41,5	43	0,2819	300	-	73	43	44,5	0,3094	315	-	80,5	44	47	0,3300	355	-		100,5	47	50	0,3850	400	-			123	50	53	0,4469	450	-	148	53,5	56,5	0,5156	500	-	173	52		55	0,5844	550	-	198	55,5			58,5	0,6531	560	-	203	56	59	0,6669	600	-	223	59	62	0,7219	1100 x	630	-	238	60,5	63,5	0,7631	BF	M4	650	3	248	62	65	0,7906	700	28	273	65,5	68,5	0,8594	710	33	278	66	69	0,8731	750	53	298	68,5	71,5	0,9281	800	78	323	71,5	74,5	0,9969																																																																																																																																																																			
	750	53	298	45	48	0,5231			800	78	323	47	50	0,5619			900 x	150	-	-	21,3	21,5		0,0656	BF	M1	500	-		173			43	46		0,4569			BF	M3	180					-			13			24	25,5	0,0919	200	-	23	25	26,5	0,1094	225	-	36	26,5	28	0,1313	250	-	48	28	29,5	0,1531	280	-	63	29,5	31	0,1794	300	-	73	30	31,5	0,1969	315	-	80,5	30,5	32	0,2100	355	-	100,5	31	33,5	0,2450	400	-	123	32,5	35,5	0,2844	450	-	148	35	38	0,3281	500	-	173	37	40	0,3719	550	-	198	39,5	42,5	0,4156	560	-	203	40	43	0,4244	600	-	223	42	45	0,4594	1000 x				630	-	238	43,5	46,5	0,4856							BF	M3			600	-			223	42			45	0,4594	BFN	M2	650	3	248	44,5	47,5	0,5031	700	28	273	47	50	0,5469	710	33	278	47	50	0,5556	750	53	298	49	52	0,5906			800	78	323	51,5			54,5	0,6344	150	-			-	23,1	23,2	0,0731	BF	M1	180	-	13	26	27,5	0,1024	200	-	23	27	28,5	0,1219	225	-	36	28,5	30	0,1463	250	-	48	30	31,5	0,1706	280	-	63	31,5	33	0,1999	300	-	73	32,5	34	0,2194	315	-	80,5	33,5	35	0,2340	355	-	100,5	35,5	37	0,2730	400	-	123	35	38	0,3169	450	-	148	37,5	40,5	0,3656	500	-	173	40	43	0,4144		550	-	198	42,5	45,5	0,4631				560	-	203	43	46			0,4729				600	-	223	45	48			0,5119			1100 x	630	-	238	47	50			0,5411	BF	M3	630	-	238	47	50	0,5411	BFN	M2	650	3	248			48	51	0,5606	700	28	273	51	54	0,6094	710	33			278	51	54	0,6191	750	53	298	53	56	0,6581	800			78	323	55,5	58,5	0,7069	180	-	13	28	29,5			0,1129	BF	M1	200	-	23	29	30,5	0,1344	225	-	36	30,5			32	0,1613	250	-	48	32	33,5	0,1881	280	-	63	34	35,5			0,2204	300	-	73	35	36,5	0,2419	180	-	13	31	32,5	0,1286	BF	M2	200	-	23	32,5	34	0,1531	225	-	36	34	35,5	0,1838	250	-	48	35,5	37	0,2144	280	-	63	37,5	39	0,2511	300	-	73	39	40,5	0,2756	315	-	80,5		40	41,5	0,2940	355	-	100,5			42,5	45,5	0,3430	400	-	123	45,5	48,5	0,3981		450	-	148	49	52	0,4594			500	-	173	47,5	50,5	0,5206	550	-	198		50,5	53,5	0,5819	560	-	203					51,5	54,5	0,5941	600	-	223	54	57	0,6431	1400 x	630	-	238	55,5	58,5	0,7631	BF	M3			650	3	248	56,5	59,5	0,7906	700	28	273	60	63	0,7656	710	33	278	60	63	0,7779			750	53	298	62,5	65,5	0,8269	800	78	323	65,5	68,5	0,8881	180	-	13	34	35,5	0,1444	BF	M4	200	-	23	35,5	37	0,1719	225	-	36	37,5	39	0,2063	250	-	48	39,5	41	0,2406		280	-	63	41,5	43	0,2819			300	-	73	43	44,5	0,3094	315	-	80,5	44	47	0,3300	355	-		100,5	47	50	0,3850	400	-			123	50	53	0,4469	450	-	148	53,5	56,5	0,5156	500	-	173	52		55	0,5844	550	-	198	55,5			58,5	0,6531	560	-	203	56	59	0,6669	600	-	223	59	62	0,7219	1100 x	630	-	238	60,5	63,5	0,7631	BF	M4	650	3	248	62	65	0,7906	700	28	273	65,5	68,5	0,8594	710	33	278	66	69	0,8731	750	53	298	68,5	71,5	0,9281	800	78	323	71,5	74,5	0,9969																																																																																																																																												
	800	78	323	47	50	0,5619			900 x	150	-	-	21,3	21,5				0,0656	BF	M1	500	-		173			43	46		0,4569			BF	M3		180					-					13			24			25,5	0,0919	200	-	23	25	26,5	0,1094	225	-	36	26,5	28	0,1313	250	-	48	28	29,5	0,1531	280	-	63	29,5	31	0,1794	300	-	73	30	31,5	0,1969	315	-	80,5	30,5	32	0,2100	355	-	100,5	31	33,5	0,2450	400	-	123	32,5	35,5	0,2844	450	-	148	35	38	0,3281	500	-	173	37	40	0,3719	550	-	198	39,5	42,5	0,4156	560	-	203	40	43	0,4244	600	-	223	42	45	0,4594	1000 x					630	-	238	43,5	46,5	0,4856											BF	M3			600	-			223	42			45	0,4594	BFN	M2	650	3	248	44,5	47,5	0,5031	700	28	273	47	50	0,5469	710	33	278	47	50	0,5556	750	53			298	49	52	0,5906			800	78	323	51,5			54,5	0,6344	150	-			-	23,1	23,2	0,0731	BF	M1	180	-	13	26	27,5	0,1024	200	-	23	27	28,5	0,1219	225	-	36	28,5	30	0,1463	250	-	48	30	31,5	0,1706	280	-	63	31,5	33	0,1999	300	-	73	32,5	34	0,2194	315	-	80,5	33,5	35	0,2340	355	-	100,5	35,5	37	0,2730	400	-	123	35	38	0,3169	450	-	148	37,5	40,5	0,3656		500	-	173	40	43	0,4144				550	-	198	42,5	45,5			0,4631				560	-	203	43	46			0,4729				600	-	223	45	48			0,5119			1100 x	630	-	238	47	50			0,5411	BF	M3			630	-	238	47	50	0,5411	BFN	M2	650	3	248			48	51	0,5606	700	28	273	51	54	0,6094	710	33			278	51	54	0,6191	750	53	298	53	56	0,6581			800			78	323	55,5	58,5	0,7069	180	-	13	28	29,5			0,1129	BF	M1	200	-	23	29	30,5	0,1344	225	-	36	30,5			32	0,1613	250	-	48	32	33,5	0,1881	280	-	63	34	35,5			0,2204	300	-	73	35	36,5	0,2419	180	-	13	31	32,5	0,1286	BF	M2	200	-	23	32,5	34	0,1531	225	-	36	34	35,5	0,1838	250	-	48	35,5	37	0,2144		280	-	63	37,5	39	0,2511			300	-	73	39	40,5	0,2756	315	-	80,5		40	41,5	0,2940	355	-	100,5			42,5	45,5	0,3430	400	-	123	45,5	48,5	0,3981		450	-	148	49	52	0,4594					500	-	173	47,5	50,5	0,5206	550	-	198		50,5	53,5	0,5819	560	-	203					51,5	54,5	0,5941	600	-	223	54	57	0,6431	1400 x	630	-	238	55,5	58,5	0,7631	BF	M3			650	3	248	56,5	59,5	0,7906	700	28	273	60	63	0,7656	710	33	278	60	63	0,7779			750	53	298	62,5	65,5	0,8269	800	78	323	65,5	68,5	0,8881	180	-	13	34	35,5	0,1444		BF	M4	200	-	23	35,5			37	0,1719	225	-	36	37,5	39	0,2063	250	-	48	39,5	41	0,2406		280	-	63	41,5	43	0,2819			300	-	73	43	44,5	0,3094	315	-	80,5	44	47	0,3300	355	-		100,5	47	50	0,3850	400	-			123	50	53	0,4469	450	-	148	53,5	56,5	0,5156	500	-	173	52		55	0,5844	550	-	198	55,5			58,5	0,6531	560	-	203	56	59	0,6669	600	-	223	59	62	0,7219	1100 x	630	-	238	60,5	63,5	0,7631	BF	M4	650	3	248	62	65	0,7906	700	28	273	65,5	68,5	0,8594	710	33	278	66	69	0,8731	750	53	298	68,5	71,5	0,9281	800	78	323	71,5	74,5	0,9969																																																																																																																					
900 x	150	-	-	21,3	21,5	0,0656	BF	M1		500	-	173	43	46	0,4569	BF		M3																																																																																																																																																																																																																																																																																																																																																																																																																																																																																																																																																																																																																																																																																																																																																																																																																																
	180	-	13	24	25,5	0,0919				200	-	23	25	26,5	0,1094						225	-		36			26,5	28		0,1313						250					-					48			28			29,5	0,1531	280	-	63	29,5	31	0,1794	300	-	73	30	31,5	0,1969	315	-	80,5	30,5	32	0,2100	355	-	100,5	31	33,5	0,2450	400	-	123	32,5	35,5	0,2844	450	-	148	35	38	0,3281	500	-	173	37	40	0,3719	550	-	198	39,5	42,5	0,4156	560	-	203	40	43	0,4244	600	-	223	42	45	0,4594	1000 x	630	-	238	43,5	46,5	0,4856	BF	M3	600	-	223	42	45	0,4594	BFN	M2	650						3	248	44,5	47,5	0,5031	700															28	273			47	50			0,5469	710			33	278	47	50	0,5556	750	53	298	49	52	0,5906	800	78	323	51,5	54,5	0,6344	150	-	-			23,1	23,2	0,0731	BF			M1	180	-	13			26	27,5	0,1024	200			-	23	27	28,5			0,1219	225	-	36	28,5	30	0,1463	250	-	48	30	31,5	0,1706	280	-	63	31,5	33	0,1999	300	-	73	32,5	34	0,2194	315	-	80,5	33,5	35	0,2340	355	-	100,5	35,5	37	0,2730	400	-	123	35	38	0,3169	450	-	148	37,5	40,5	0,3656	500	-	173	40	43	0,4144	550	-	198	42,5	45,5		0,4631	560	-	203	43	46				0,4729	600	-	223	45			48				0,5119	1100 x	630	-	238			47				50	0,5411	BF	M3	630			-				238	47	50	0,5411	BFN			M2					650	3	248	48	51	0,5606			700	28	273			51	54	0,6094	710	33	278	51	54	0,6191	750	53			298	53	56	0,6581	800	78	323	55,5	58,5	0,7069			180			-	13	28	29,5	0,1129	BF	M1	200	-	23			29			30,5	0,1344	225	-	36	30,5	32	0,1613	250	-			48	32	33,5	0,1881	280	-	63	34	35,5	0,2204	300	-	73			35	36,5	0,2419	180	-	13	31	32,5	0,1286	BF	M2	200	-			23	32,5	34	0,1531	225	-	36	34	35,5	0,1838	250	-	48	35,5	37	0,2144	280	-		63	37,5	39	0,2511	300	-			73	39	40,5	0,2756	315	-	80,5	40	41,5		0,2940	355	-	100,5	42,5	45,5			0,3430	400	-	123	45,5	48,5	0,3981	450	-		148	49	52	0,4594	500	-					173	47,5	50,5	0,5206	550	-	198	50,5	53,5		0,5819	560	-	203	51,5	54,5					0,5941	600	-	223	54	57	0,6431	1400 x	630		-	238	55,5	58,5	0,7631	BF					M3	650	3	248	56,5	59,5	0,7906	700	28	273	60	63	0,7656	710	33	278	60	63			0,7779	750	53	298	62,5	65,5	0,8269	800	78	323	65,5	68,5	0,8881	180	-	13	34	35,5				0,1444	BF	M4	200			-	23	35,5	37	0,1719	225	-	36	37,5	39	0,2063	250	-	48		39,5	41	0,2406	280	-	63			41,5	43	0,2819	300	-	73	43	44,5	0,3094	315	-	80,5	44	47		0,3300	355	-	100,5	47	50			0,3850	400	-	123	50	53	0,4469	450	-	148	53,5	56,5	0,5156	500		-	173	52	55	0,5844	550			-	198	55,5	58,5	0,6531	560	-	203	56	59	0,6669	600	-	223		59	62	0,7219	1100 x	630	-			238	60,5	63,5	0,7631	BF	M4	650	3	248	62	65	0,7906	700	28	273	65,5	68,5	0,8594	710	33	278	66	69	0,8731	750	53	298	68,5	71,5	0,9281	800	78	323	71,5	74,5	0,9969																																																																																																															
	200	-	23	25	26,5	0,1094				225	-	36	26,5	28	0,1313						250	-		48			28	29,5		0,1531						280					-					63			29,5			31	0,1794	300	-	73	30	31,5	0,1969	315	-	80,5	30,5	32	0,2100	355	-	100,5	31	33,5	0,2450	400	-	123	32,5	35,5	0,2844	450	-	148	35	38	0,3281	500	-	173	37	40	0,3719	550	-	198	39,5	42,5	0,4156	560	-	203	40	43	0,4244	600	-	223	42	45	0,4594	1000 x	630	-	238	43,5	46,5		0,4856	BF	M3	600	-	223			42	45	0,4594	BFN	M2	650			3						248	44,5	47,5	0,5031	700	28															273	47			50	0,5469			710	33			278	47	50	0,5556	750	53	298	49	52	0,5906	800	78	323	51,5	54,5	0,6344	150	-	-	23,1			23,2	0,0731	BF					M1	180	-			13	26	27,5	0,1024			200	-	23	27			28,5	0,1219	225	-	36	28,5	30	0,1463	250	-	48	30	31,5	0,1706	280	-	63	31,5	33	0,1999	300	-	73	32,5	34	0,2194	315	-	80,5	33,5	35	0,2340	355	-	100,5	35,5	37	0,2730	400	-	123	35	38	0,3169	450	-	148	37,5	40,5	0,3656	500	-	173	40	43	0,4144	550	-	198	42,5		45,5	0,4631	560	-	203	43				46	0,4729	600	-	223			45				48		0,5119	1100 x	630			-				238	47			50			0,5411				BF	M3	630	-									238	47	50	0,5411	BFN	M2			650	3	248			48	51	0,5606	700	28	273	51	54	0,6094	710	33			278	51	54	0,6191	750	53	298	53	56	0,6581			800			78	323	55,5	58,5	0,7069			180	-	13			28			29,5	0,1129	BF	M1	200	-	23	29	30,5	0,1344			225	-	36	30,5	32	0,1613	250	-	48	32	33,5	0,1881	280			-	63	34	35,5	0,2204	300	-	73	35			36,5	0,2419			180	-	13	31	32,5	0,1286	BF	M2	200	-	23	32,5	34	0,1531	225	-	36	34		35,5	0,1838	250	-	48	35,5			37	0,2144	280	-	63	37,5	39	0,2511	300		-	73	39	40,5	0,2756	315			-	80,5	40	41,5	0,2940	355	-	100,5	42,5		45,5	0,3430	400	-	123	45,5					48,5	0,3981	450	-	148	49	52	0,4594	500		-	173	47,5	50,5	0,5206	550					-	198	50,5	53,5	0,5819	560	-		203		51,5	54,5	0,5941	600	-							223	54	57	0,6431	1400 x	630	-	238	55,5	58,5	0,7631	BF	M3	650	3	248	56,5			59,5	0,7906	700	28	273	60	63	0,7656	710	33	278	60	63	0,7779	750	53	298	62,5				65,5			0,8269			800	78	323	65,5	68,5	0,8881	180	-	13	34	35,5	0,1444	BF	M4		200	-	23	35,5	37	0,1719			225	-	36	37,5	39	0,2063	250	-	48	39,5	41	0,2406	280	-		63	41,5	43	0,2819	300	-			73	43	44,5	0,3094	315	-	80,5	44	47	0,3300	355	-	100,5	47		50	0,3850	400	-	123	50			53	0,4469	450	-	148	53,5	56,5	0,5156	500	-	173	52	55	0,5844		550	-	198		55,5	58,5			0,6531	560	-	203			56	59	0,6669	600	-	223	59	62	0,7219	1100 x	630	-	238	60,5	63,5	0,7631	BF	M4	650	3	248	62	65	0,7906	700	28	273	65,5	68,5	0,8594	710	33	278	66	69	0,8731	750	53	298	68,5	71,5	0,9281	800	78	323	71,5	74,5	0,9969																																																																																													
	225	-	36	26,5	28	0,1313				250	-	48	28	29,5	0,1531						280	-		63			29,5	31		0,1794						300					-					73			30			31,5	0,1969	315	-	80,5	30,5	32	0,2100	355	-	100,5	31	33,5	0,2450	400	-	123	32,5	35,5	0,2844	450	-	148	35	38	0,3281	500	-	173	37	40	0,3719	550	-	198	39,5	42,5	0,4156	560	-	203	40	43	0,4244	600	-	223	42	45	0,4594	1000 x	630	-	238	43,5	46,5		0,4856	BF	M3	600	-		223			42	45	0,4594			BFN	M2	650			3			248						44,5	47,5	0,5031	700	28	273															47	50			0,5469	710			33	278			47	50	0,5556	750	53	298	49	52	0,5906	800	78	323	51,5	54,5	0,6344	150	-	-	23,1	23,2			0,0731	BF							M1	180			-	13	26	27,5			0,1024	200	-	23			27	28,5	0,1219	225	-	36	28,5	30	0,1463	250	-	48	30	31,5	0,1706	280	-	63	31,5	33	0,1999	300	-	73	32,5	34	0,2194	315	-	80,5	33,5	35	0,2340	355	-	100,5	35,5	37	0,2730	400	-	123	35	38	0,3169	450	-	148	37,5	40,5	0,3656	500	-	173	40	43	0,4144	550	-	198		42,5	45,5	0,4631	560	-	203				43	46	0,4729	600	-			223				45		48		0,5119			1100 x				630	-			238			47						50	0,5411									BF	M3	630	-					238	47	50			0,5411	BFN	M2	650	3	248	48	51	0,5606	700	28			273	51	54	0,6094	710	33	278	51	54	0,6191			750			53	298	53	56	0,6581			800	78	323			55,5			58,5	0,7069			180	-	13	28	29,5	0,1129			BF	M1	200	-	23	29	30,5	0,1344	225	-	36	30,5	32			0,1613	250	-	48	32	33,5	0,1881	280	-			63	34			35,5	0,2204	300	-	73	35			36,5	0,2419	180	-	13	31	32,5	0,1286	BF	M2		200	-	23	32,5	34	0,1531			225	-	36	34	35,5	0,1838	250	-	48		35,5	37	0,2144	280	-	63			37,5	39	0,2511	300	-	73	39	40,5	0,2756		315	-	80,5	40	41,5	0,2940					355	-	100,5	42,5	45,5	0,3430	400	-	123		45,5	48,5	0,3981	450	-	148					49	52	0,4594	500	-	173	47,5		50,5		0,5206	550	-	198	50,5							53,5	0,5819	560	-		203	51,5	54,5	0,5941	600	-			223	54	57	0,6431			1400 x	630	-	238	55,5	58,5	0,7631	BF	M3	650	3	248	56,5	59,5	0,7906	700	28	273				60			63			0,7656	710	33	278	60	63	0,7779	750	53	298	62,5	65,5				0,8269	800	78	323	65,5	68,5			0,8881	180	-	13	34	35,5	0,1444	BF	M4	200	-	23	35,5	37		0,1719	225	-	36	37,5	39			0,2063	250	-	48	39,5	41	0,2406	280	-	63	41,5	43	0,2819	300		-	73	43	44,5	0,3094	315			-	80,5	44	47	0,3300	355	-	100,5	47	50	0,3850	400	-	123		50	53	0,4469		450	-			148	53,5	56,5	0,5156			500	-	173	52	55	0,5844	550	-	198		55,5	58,5	0,6531	560	-	203			56	59	0,6669	600	-	223	59	62	0,7219	1100 x	630	-	238	60,5	63,5	0,7631	BF	M4	650	3	248	62	65	0,7906	700	28	273	65,5	68,5	0,8594	710	33	278	66	69	0,8731	750	53	298	68,5	71,5	0,9281	800	78	323	71,5	74,5	0,9969																																																																											
	250	-	48	28	29,5	0,1531				280	-	63	29,5	31	0,1794						300	-		73			30	31,5		0,1969						315					-					80,5			30,5			32	0,2100	355	-	100,5	31	33,5	0,2450	400	-	123	32,5	35,5	0,2844	450	-	148	35	38	0,3281	500	-	173	37	40	0,3719	550	-	198	39,5	42,5	0,4156	560	-	203	40	43	0,4244	600	-	223	42	45	0,4594	1000 x	630	-	238	43,5	46,5		0,4856	BF	M3	600	-		223			42	45		0,4594			BFN	M2	650					3			248			44,5						47,5	0,5031	700	28	273	47															50	0,5469			710	33			278	47			50	0,5556	750	53	298	49	52	0,5906	800	78	323	51,5	54,5	0,6344	150	-	-	23,1	23,2	0,0731			BF									M1			180	-	13	26			27,5	0,1024	200	-			23	27	28,5	0,1219	225	-	36	28,5	30	0,1463	250	-	48	30	31,5	0,1706	280	-	63	31,5	33	0,1999	300	-	73	32,5	34	0,2194	315	-	80,5	33,5	35	0,2340	355	-	100,5	35,5	37	0,2730	400	-	123	35	38	0,3169	450	-	148	37,5	40,5	0,3656	500	-	173	40	43	0,4144	550	-		198	42,5	45,5	0,4631	560	-				203	43	46	0,4729	600			-				223		45		48							0,5119	1100 x			630			-						238	47											50	0,5411					BF	M3	630			-			238	47	50	0,5411	BFN	M2	650	3			248	48	51	0,5606	700	28	273	51	54	0,6094			710			33	278	51	54	0,6191			750	53	298			53			56	0,6581			800	78	323	55,5	58,5	0,7069					180	-	13	28	29,5	0,1129	BF	M1	200	-	23			29	30,5	0,1344	225	-	36	30,5	32	0,1613			250	-			48	32	33,5	0,1881	280	-			63	34	35,5	0,2204	300	-	73	35				36,5	0,2419	180	-	13	31			32,5	0,1286	BF	M2	200	-	23	32,5	34		0,1531	225	-	36	34	35,5			0,1838	250	-	48	35,5	37	0,2144	280	-		63	37,5	39	0,2511	300	-					73	39	40,5	0,2756	315	-	80,5	40	41,5		0,2940	355	-	100,5	42,5	45,5					0,3430	400	-	123	45,5	48,5	0,3981		450		-	148	49	52	0,4594							500	-	173	47,5		50,5	0,5206	550	-	198	50,5			53,5	0,5819	560	-				203	51,5	54,5	0,5941	600	-			223	54	57	0,6431	1400 x	630	-	238	55,5	58,5			0,7631			BF	M3	650	3	248	56,5	59,5	0,7906	700	28	273	60	63	0,7656	710				33	278	60	63	0,7779	750			53	298	62,5	65,5	0,8269	800	78			323	65,5	68,5	0,8881	180		-	13	34	35,5	0,1444	BF			M4	200	-	23	35,5	37	0,1719	225	-	36	37,5	39	0,2063	250		-	48	39,5	41	0,2406	280			-	63	41,5	43	0,2819	300	-	73	43	44,5	0,3094	315	-	80,5		44	47	0,3300		355	-			100,5	47	50	0,3850			400	-	123	50	53	0,4469	450	-	148		53,5	56,5	0,5156	500	-	173			52	55	0,5844	550	-	198	55,5	58,5	0,6531		560	-	203	56	59	0,6669			600	-	223	59	62	0,7219	1100 x	630	-	238	60,5	63,5	0,7631	BF	M4	650	3	248	62	65	0,7906	700	28	273	65,5	68,5	0,8594	710	33	278	66	69	0,8731	750	53	298	68,5	71,5	0,9281	800	78	323	71,5	74,5	0,9969																																																												
	280	-	63	29,5	31	0,1794				300	-	73	30	31,5	0,1969						315	-		80,5			30,5	32		0,2100						355					-					100,5			31			33,5	0,2450	400	-	123	32,5	35,5	0,2844	450	-	148	35	38	0,3281	500	-	173	37	40	0,3719	550	-	198	39,5	42,5	0,4156	560	-	203	40	43	0,4244	600	-	223	42	45	0,4594	1000 x	630	-	238	43,5	46,5		0,4856	BF	M3	600	-		223			42	45		0,4594			BFN	M2		650					3					248			44,5			47,5						0,5031	700	28	273	47	50															0,5469	710			33	278			47	50			0,5556	750	53	298	49	52	0,5906	800	78	323	51,5	54,5	0,6344	150	-	-	23,1	23,2	0,0731	BF															M1	180	-	13			26	27,5	0,1024	200			-	23	27	28,5	0,1219	225	-	36	28,5	30	0,1463	250	-	48	30	31,5	0,1706	280	-	63	31,5	33	0,1999	300	-	73	32,5	34	0,2194	315	-	80,5	33,5	35	0,2340	355	-	100,5	35,5	37	0,2730	400	-	123	35	38	0,3169	450	-	148	37,5	40,5	0,3656	500	-	173	40	43	0,4144	550		-	198	42,5	45,5	0,4631	560				-	203	43	46	0,4729			600				-		223		45							48				0,5119			1100 x						630	-											238	47							50			0,5411			BF	M3	630	-			238	47			50	0,5411	BFN	M2	650	3	248	48	51	0,5606			700			28	273	51	54	0,6094			710	33	278			51			54	0,6191			750	53	298	53	56	0,6581					800	78	323	55,5	58,5	0,7069			180	-	13			28	29,5	0,1129	BF	M1	200	-	23	29			30,5	0,1344			225	-	36	30,5	32	0,1613			250	-	48	32	33,5	0,1881	280	-				63	34	35,5	0,2204	300	-			73	35			36,5	0,2419	180	-	13		31	32,5	0,1286	BF	M2	200			-	23	32,5	34	0,1531	225	-	36	34		35,5	0,1838	250	-	48	35,5					37	0,2144	280	-	63	37,5	39	0,2511	300		-	73	39	40,5	0,2756	315					-	80,5	40	41,5	0,2940	355	-		100,5		42,5	45,5	0,3430	400	-							123	45,5	48,5	0,3981		450	-	148	49	52	0,4594			500	-	173	47,5				50,5	0,5206	550	-	198	50,5			53,5	0,5819	560	-		203	51,5	54,5	0,5941	600			-					223	54	57	0,6431	1400 x	630	-	238	55,5	58,5	0,7631	BF	M3			650	3	248	56,5	59,5	0,7906	700	28	273	60	63	0,7656	710	33	278	60			63	0,7779	750	53	298		62,5	65,5	0,8269	800	78					323	65,5	68,5	0,8881	180	-	13	34	35,5	0,1444	BF	M4	200		-	23	35,5	37	0,1719	225			-	36	37,5	39	0,2063	250	-	48	39,5	41	0,2406	280	-	63		41,5	43	0,2819		300	-			73	43	44,5	0,3094			315	-	80,5	44	47	0,3300	355	-	100,5		47	50	0,3850	400	-	123			50	53	0,4469	450	-	148	53,5	56,5	0,5156		500	-	173	52	55	0,5844			550	-	198	55,5	58,5	0,6531		560	-	203	56	59	0,6669			600	-	223	59	62	0,7219	1100 x	630	-	238	60,5	63,5	0,7631	BF	M4	650	3	248	62	65	0,7906	700	28	273	65,5	68,5	0,8594	710	33	278	66	69	0,8731	750	53	298	68,5	71,5	0,9281	800	78	323	71,5	74,5	0,9969																																													
	300	-	73	30	31,5	0,1969				315	-	80,5	30,5	32	0,2100						355	-		100,5			31	33,5		0,2450						400					-					123			32,5			35,5	0,2844	450	-	148	35	38	0,3281	500	-	173	37	40	0,3719	550	-	198	39,5	42,5	0,4156	560	-	203	40	43	0,4244	600	-	223	42	45	0,4594	1000 x	630	-	238	43,5	46,5		0,4856	BF	M3	600	-		223			42	45		0,4594			BFN	M2		650						3					248					44,5			47,5			0,5031						700	28	273	47	50	0,5469															710	33			278	47			50	0,5556			750	53	298	49	52	0,5906	800	78	323	51,5	54,5	0,6344	150	-	-	23,1	23,2	0,0731	BF																	M1	180	-			13	26	27,5	0,1024			200	-	23	27	28,5	0,1219	225	-	36	28,5	30	0,1463	250	-	48	30	31,5	0,1706	280	-	63	31,5	33	0,1999	300	-	73	32,5	34	0,2194	315	-	80,5	33,5	35	0,2340	355	-	100,5	35,5	37	0,2730	400	-	123	35	38	0,3169	450	-	148	37,5	40,5	0,3656	500	-	173	40	43	0,4144		550	-	198	42,5	45,5	0,4631				560	-	203	43	46			0,4729				600		-		223							45				48									0,5119	1100 x											630	-							238			47					50	0,5411			BF	M3			630	-			238	47	50	0,5411	BFN	M2			650			3	248	48	51	0,5606			700	28	273			51			54	0,6094			710	33	278	51	54	0,6191					750	53	298	53	56	0,6581			800	78	323			55,5	58,5	0,7069			180	-	13	28			29,5	0,1129			BF	M1	200	-	23	29			30,5	0,1344	225	-	36	30,5	32	0,1613				250	-	48	32	33,5	0,1881			280	-			63	34	35,5	0,2204	300		-	73	35			36,5			0,2419	180	-	13	31	32,5	0,1286	BF	M2		200	-	23	32,5	34	0,1531					225	-	36	34	35,5	0,1838	250	-	48		35,5	37	0,2144	280	-	63					37,5	39	0,2511	300	-	73	39		40,5		0,2756	315	-	80,5	40							41,5	0,2940	355	-		100,5	42,5	45,5	0,3430	400	-			123	45,5	48,5	0,3981				450	-	148	49	52	0,4594			500	-	173	47,5		50,5	0,5206	550	-	198			50,5					53,5	0,5819	560	-		203	51,5	54,5	0,5941	600	-					223	54	57	0,6431	1400 x	630	-	238	55,5	58,5	0,7631	BF	M3	650	3	248			56,5	59,5	0,7906	700	28	273	60	63	0,7656	710	33		278	60		63	0,7779	750	53	298	62,5	65,5	0,8269	800	78			323		65,5	68,5	0,8881	180	-	13			34	35,5	0,1444	BF	M4	200	-	23	35,5	37	0,1719	225	-	36		37,5	39	0,2063		250	-			48	39,5	41	0,2406			280	-	63	41,5	43	0,2819	300	-	73		43	44,5	0,3094	315	-	80,5			44	47	0,3300	355	-	100,5	47	50	0,3850		400	-	123	50	53	0,4469			450	-	148	53,5	56,5	0,5156		500	-	173	52	55	0,5844			550	-	198	55,5	58,5	0,6531		560	-	203	56	59	0,6669			600	-	223	59	62	0,7219	1100 x	630	-	238	60,5	63,5	0,7631	BF	M4	650	3	248	62	65	0,7906	700	28	273	65,5	68,5	0,8594	710	33	278	66	69	0,8731	750	53	298	68,5	71,5	0,9281	800	78	323	71,5	74,5	0,9969																														
	315	-	80,5	30,5	32	0,2100				355	-	100,5	31	33,5	0,2450						400	-		123			32,5	35,5		0,2844						450					-					148			35			38	0,3281	500	-	173	37	40	0,3719	550	-	198	39,5	42,5	0,4156	560	-	203	40	43	0,4244	600	-	223	42	45	0,4594	1000 x	630	-	238	43,5	46,5		0,4856	BF	M3	600	-		223			42	45		0,4594			BFN	M2		650						3						248					44,5					47,5			0,5031			700						28	273	47	50	0,5469	710															33	278			47	50			0,5556	750			53	298	49	52	0,5906	800	78	323	51,5	54,5	0,6344	150	-	-	23,1	23,2	0,0731	BF																			M1	180			-	13	26	27,5			0,1024	200	-	23	27	28,5	0,1219	225	-	36	28,5	30	0,1463	250	-	48	30	31,5	0,1706	280	-	63	31,5	33	0,1999	300	-	73	32,5	34	0,2194	315	-	80,5	33,5	35	0,2340	355	-	100,5	35,5	37	0,2730	400	-	123	35	38	0,3169	450	-	148	37,5	40,5	0,3656	500	-	173	40	43		0,4144	550	-	198	42,5	45,5				0,4631	560	-	203	43			46				0,4729		600		-							223				45									48												0,5119	1100 x							630			-					238	47							50	0,5411			BF	M3	630	-					238			47	50	0,5411	BFN	M2			650	3	248			48			51	0,5606			700	28	273	51	54	0,6094					710	33	278	51	54	0,6191			750	53	298			53	56	0,6581			800	78	323	55,5			58,5	0,7069					180	-	13	28			29,5	0,1129	BF	M1	200	-	23	29				30,5	0,1344	225	-	36	30,5			32	0,1613			250	-	48	32	33,5		0,1881	280	-			63			34	35,5	0,2204	300	-	73	35				36,5	0,2419	180	-	13	31					32,5	0,1286	BF	M2	200	-	23	32,5	34		0,1531	225	-	36	34	35,5					0,1838	250	-	48	35,5	37	0,2144		280		-	63	37,5	39	0,2511							300	-	73	39		40,5	0,2756	315	-	80,5	40			41,5	0,2940	355	-				100,5	42,5	45,5	0,3430	400	-			123	45,5	48,5	0,3981		450	-	148	49	52			0,4594					500	-	173	47,5		50,5	0,5206	550	-	198	50,5					53,5	0,5819	560	-		203	51,5	54,5	0,5941	600	-			223	54	57			0,6431	1400 x	630	-	238	55,5	58,5	0,7631	BF	M3	650		3	248		56,5	59,5	0,7906	700	28	273	60	63	0,7656	710			33	278	60	63	0,7779	750	53	298	62,5	65,5	0,8269	800	78			323	65,5	68,5	0,8881	180	-	13	34	35,5		0,1444	BF	M4		200	-			23	35,5	37	0,1719			225	-	36	37,5	39	0,2063	250	-	48		39,5	41	0,2406	280	-	63			41,5	43	0,2819	300	-	73	43	44,5	0,3094		315	-	80,5	44	47	0,3300			355	-	100,5	47	50	0,3850		400	-	123	50	53	0,4469			450	-	148	53,5	56,5	0,5156		500	-	173	52	55	0,5844			550	-	198	55,5	58,5	0,6531		560	-	203	56	59	0,6669			600	-	223	59	62	0,7219	1100 x	630	-	238	60,5	63,5	0,7631	BF	M4	650	3	248	62	65	0,7906	700	28	273	65,5	68,5	0,8594	710	33	278	66	69	0,8731	750	53	298	68,5	71,5	0,9281	800	78	323	71,5	74,5	0,9969															
	355	-	100,5	31	33,5	0,2450				400	-	123	32,5	35,5	0,2844						450	-		148			35	38		0,3281						500					-					173			37			40	0,3719	550	-	198	39,5	42,5	0,4156	560	-	203	40	43	0,4244	600	-	223	42	45	0,4594	1000 x	630	-	238	43,5	46,5		0,4856	BF	M3	600	-		223			42	45		0,4594			BFN	M2		650						3						248						44,5					47,5					0,5031			700			28						273	47	50	0,5469	710	33															278	47			50	0,5556			750	53			298	49	52	0,5906	800	78	323	51,5	54,5	0,6344	150	-	-	23,1	23,2	0,0731	BF																					M1			180	-	13	26			27,5	0,1024	200	-	23	27	28,5	0,1219	225	-	36	28,5	30	0,1463	250	-	48	30	31,5	0,1706	280	-	63	31,5	33	0,1999	300	-	73	32,5	34	0,2194	315	-	80,5	33,5	35	0,2340	355	-	100,5	35,5	37	0,2730	400	-	123	35	38	0,3169	450	-	148	37,5	40,5	0,3656	500	-	173	40		43	0,4144	550	-	198	42,5				45,5	0,4631	560	-	203			43				46		0,4729		600							-				223									45												48								0,5119			1100 x					630	-							238	47					50	0,5411					BF			M3	630	-					238	47	50			0,5411			BFN	M2			650	3	248	48	51	0,5606					700	28	273	51	54	0,6094			710	33	278			51	54	0,6191			750	53	298	53			56	0,6581					800	78	323	55,5			58,5	0,7069			180	-	13	28				29,5	0,1129	BF	M1	200	-			23	29			30,5	0,1344	225	-	36		30,5	32	0,1613			250			-	48	32	33,5	0,1881	280	-				63	34	35,5	0,2204	300	-					73	35			36,5	0,2419	180	-	13		31	32,5	0,1286	BF	M2	200					-	23	32,5	34	0,1531	225	-		36		34	35,5	0,1838	250	-							48	35,5	37	0,2144		280	-	63	37,5	39	0,2511			300	-	73	39				40,5	0,2756	315	-	80,5	40			41,5	0,2940	355	-		100,5	42,5	45,5	0,3430	400			-					123	45,5	48,5	0,3981		450	-	148	49	52	0,4594					500	-	173	47,5		50,5	0,5206	550	-	198	50,5			53,5	0,5819	560			-		203	51,5	54,5	0,5941	600	-			223		54	57		0,6431	1400 x	630	-	238	55,5	58,5	0,7631	BF	M3			650	3	248	56,5	59,5	0,7906	700	28	273	60	63	0,7656	710			33	278	60	63	0,7779	750	53	298	62,5	65,5	0,8269				800	78	323	65,5	68,5	0,8881	180	-			13	34	35,5	0,1444	BF	M4	200	-	23		35,5	37	0,1719	225	-	36			37,5	39	0,2063	250	-	48	39,5	41	0,2406		280	-	63	41,5	43	0,2819			300	-	73	43	44,5	0,3094		315	-	80,5	44	47	0,3300			355	-	100,5	47	50	0,3850		400	-	123	50	53	0,4469			450	-	148	53,5	56,5	0,5156		500	-	173	52	55	0,5844			550	-	198	55,5	58,5	0,6531		560	-	203	56	59	0,6669			600	-	223	59	62	0,7219	1100 x	630	-	238	60,5	63,5	0,7631	BF	M4	650	3	248	62	65	0,7906	700	28	273	65,5	68,5	0,8594	710	33	278	66	69	0,8731	750	53	298	68,5	71,5	0,9281	800	78	323	71,5	74,5	0,9969
	400	-	123	32,5	35,5	0,2844				450	-	148	35	38	0,3281						500	-		173			37	40		0,3719						550					-					198			39,5			42,5	0,4156	560	-	203	40	43	0,4244	600	-	223	42	45	0,4594	1000 x	630	-	238	43,5	46,5		0,4856	BF	M3	600	-		223			42	45		0,4594			BFN	M2		650						3						248						44,5						47,5					0,5031					700			28			273						47	50	0,5469	710	33	278															47	50			0,5556	750			53	298			49	52	0,5906	800	78	323	51,5	54,5	0,6344	150	-	-	23,1	23,2	0,0731	BF																									M1	180	-	13			26	27,5	0,1024	200	-	23	27	28,5	0,1219	225	-	36	28,5	30	0,1463	250	-	48	30	31,5	0,1706	280	-	63	31,5	33	0,1999	300	-	73	32,5	34	0,2194	315	-	80,5	33,5	35	0,2340	355	-	100,5	35,5	37	0,2730	400	-	123	35	38	0,3169	450	-	148	37,5	40,5	0,3656	500	-	173		40	43	0,4144	550	-	198				42,5	45,5	0,4631	560	-			203				43		46		0,4729							600				-									223												45								48								0,5119	1100 x							630	-					238	47									50	0,5411					BF	M3	630			-							238	47	50	0,5411	BFN	M2					650	3	248	48	51	0,5606			700	28	273			51	54	0,6094			710	33	278	51			54	0,6191					750	53	298	53			56	0,6581			800	78	323	55,5				58,5	0,7069			180	-			13	28			29,5	0,1129	BF	M1	200		-	23	29			30,5			0,1344	225	-	36	30,5	32	0,1613				250	-	48	32	33,5	0,1881					280	-			63	34	35,5	0,2204	300		-	73	35			36,5					0,2419	180	-	13	31	32,5	0,1286		BF		M2	200	-	23	32,5							34	0,1531	225	-		36	34	35,5	0,1838	250	-			48	35,5	37	0,2144				280	-	63	37,5	39	0,2511			300	-	73	39		40,5	0,2756	315	-	80,5			40					41,5	0,2940	355	-		100,5	42,5	45,5	0,3430	400	-					123	45,5	48,5	0,3981		450	-	148	49	52	0,4594			500	-	173			47,5		50,5	0,5206	550	-	198	50,5			53,5		0,5819	560		-		203	51,5	54,5	0,5941	600	-					223	54	57	0,6431	1400 x	630	-	238	55,5	58,5	0,7631	BF	M3			650	3	248	56,5	59,5	0,7906	700	28	273	60	63				0,7656	710	33	278	60	63	0,7779	750			53	298	62,5	65,5			0,8269	800	78		323	65,5	68,5	0,8881	180	-			13	34	35,5	0,1444	BF	M4	200	-	23		35,5	37	0,1719	225	-	36			37,5	39	0,2063	250	-	48		39,5	41	0,2406	280	-	63			41,5	43	0,2819	300	-	73		43	44,5	0,3094	315	-	80,5			44	47	0,3300	355	-	100,5		47	50	0,3850	400	-	123			50	53	0,4469	450	-	148		53,5	56,5	0,5156	500	-	173			52	55	0,5844	550	-	198		55,5	58,5	0,6531	560	-	203			56	59	0,6669	600	-	223	59	62	0,7219	1100 x	630	-	238	60,5	63,5	0,7631	BF	M4	650	3	248	62	65	0,7906	700	28	273	65,5	68,5	0,8594
	450	-	148	35	38	0,3281				500	-	173	37	40	0,3719						550	-		198			39,5	42,5		0,4156					560	-					203	40	43			0,4244			600	-	223	42	45	0,4594	1000 x	630	-	238	43,5	46,5	0,4856	BF	M3	600	-		223	42	45	0,4594	BFN		M2			650	3		248			44,5	47,5		0,5031						700						28						273						47						50					0,5469					710			33			278					47	50	0,5556	750	53	298	49	52	0,5906							800	78					323	51,5			54,5	0,6344			150	-			-	23,1	23,2	0,0731	BF	M1	180	-	13	26	27,5	0,1024	200	-	23						27	28,5																				0,1219	225	-			36	28,5	30	0,1463	250	-	48	30	31,5	0,1706	280	-	63	31,5	33	0,1999	300	-	73	32,5	34	0,2194	315	-	80,5	33,5	35	0,2340	355	-	100,5	35,5	37	0,2730	400	-	123	35	38	0,3169	450	-	148	37,5	40,5	0,3656	500	-	173	40	43	0,4144	550	-	198	42,5	45,5	0,4631	560	-	203	43	46	0,4729	600	-	223	45	48		0,5119	1100 x	630	-	238	47	50	0,5411				BF		M3		630							-				238									47								50	0,5411			BFN								M2								650								3	248					48	51			0,5606	700					28	273							51			54							0,6094	710	33	278							51	54	0,6191	750	53	298			53	56	0,6581			800	78	323			55,5	58,5	0,7069	180			-	13					28	29,5	0,1129	BF			M1	200			-	23	29	30,5			0,1344	225	-			36	30,5	32	0,1613	250	-			48	32			33,5		0,1881	280	-			63			34	35,5	0,2204	300	-	73	35				36,5	0,2419	180	-	13	31			32,5	0,1286	BF	M2			200	-	23	32,5	34		0,1531	225	-			36					34	35,5	0,1838	250	-	48	35,5					37	0,2144	280	-							63	37,5	39	0,2511		300	-	73	39	40,5	0,2756			315	-	80,5	40				41,5	0,2940	355	-	100,5	42,5			45,5	0,3430	400	-		123	45,5	48,5	0,3981	450			-					148	49	52	0,4594		500	-	173	47,5	50,5	0,5206					550	-	198	50,5		53,5	0,5819	560	-	203	51,5			54,5	0,5941	600			-		223	54	57	0,6431	1400 x	630			-		238	55,5		58,5		0,7631	BF	M3	650	3	248					56,5	59,5	0,7906	700		28	273	60	63	0,7656	710					33	278	60	63	0,7779	750	53	298	62,5	65,5	0,8269			800	78	323	65,5	68,5	0,8881	180	-	13	34	35,5	0,1444	BF	M4	200			-	23	35,5		37	0,1719	225	-	36	37,5			39	0,2063	250	-			48	39,5	41		0,2406	280	-	63	41,5	43			0,2819	300	-	73	43	44,5		0,3094	315	-	80,5	44	47			0,3300	355	-	100,5	47	50		0,3850	400	-	123	50	53			0,4469	450	-	148	53,5	56,5		0,5156	500	-	173	52	55			0,5844	550	-	198	55,5	58,5		0,6531	560	-	203	56	59			0,6669	600	-	223	59	62		0,7219	1100 x	630	-	238	60,5			63,5	0,7631	BF	M4	650	3	248	62	65		0,7906	700	28	273	65,5	68,5			0,8594	710	33	278	66	69	0,8731	750	53	298	68,5	71,5
	500	-	173	37	40	0,3719				550	-	198	39,5	42,5	0,4156						560	-		203			40	43	0,4244	600					-	223	42	45			0,4594	1000 x	630			-	238	43,5	46,5	0,4856	BF	M3	600	-		223	42	45	0,4594	BFN	M2			650	3		248	44,5	47,5	0,5031						700	28		273			47	50		0,5469						710						33						278						47						50					0,5556					750			53			298				49	52	0,5906	800	78	323	51,5	54,5	0,6344	150	-	-					23,1	23,2			0,0731	BF	M1	180			-	13			26	27,5			0,1024	200	-	23			27	28,5	0,1219	225	-	36	28,5	30	0,1463						250	-					48	30														31,5	0,1706	280			-	63	31,5	33	0,1999	300	-	73	32,5	34	0,2194	315	-	80,5	33,5	35	0,2340	355	-	100,5	35,5	37	0,2730	400	-	123	35	38	0,3169	450	-	148	37,5	40,5	0,3656	500	-	173	40	43	0,4144	550	-	198	42,5	45,5	0,4631	560	-	203	43	46	0,4729	600	-	223	45	48	0,5119	1100 x	630	-	238	47	50	0,5411	BF	M3	630	-	238		47	50	0,5411	BFN	M2	650	3	248						48	51	0,5606					700				28									273								51	54												0,6094	710						33								278	51					54	0,6191			750	53					298	53							56	0,6581	800	78							323	55,5	58,5	0,7069							180	-	13	28	29,5	0,1129			BF	M1	200			-	23	29			30,5	0,1344	225	-			36	30,5					32	0,1613	250					-			48	32	33,5	0,1881			280	-	63			34	35,5	0,2204	300	-	73			35	36,5			0,2419	180	-	13	31			32,5	0,1286	BF	M2	200	-	23	32,5	34	0,1531				225	-	36	34	35,5	0,1838			250	-					48	35,5	37	0,2144	280		-	63	37,5			39			0,2511	300	-	73	39	40,5	0,2756	315	-					80,5	40	41,5	0,2940							355	-	100,5	42,5		45,5	0,3430	400	-	123	45,5			48,5	0,3981	450	-				148	49	52	0,4594	500	-			173	47,5	50,5	0,5206		550	-	198	50,5	53,5			0,5819					560	-	203	51,5		54,5	0,5941	600	-	223	54					57	0,6431	1400 x	630		-	238	55,5	58,5	0,7631	BF			M3	650	3			248		56,5	59,5	0,7906	700		28			273		60	63		0,7656		710			33	278	60					63	0,7779	750	53		298	62,5	65,5	0,8269	800	78					323	65,5	68,5	0,8881	180	-	13	34	35,5	0,1444	BF			M4	200	-	23	35,5	37	0,1719	225	-	36	37,5	39			0,2063			250	-	48	39,5	41	0,2406	280	-	63	41,5	43	0,2819	300	-	73	43			44,5	0,3094	315		-	80,5	44	47	0,3300	355			-	100,5	47	50	0,3850	400		-	123	50	53	0,4469	450			-	148	53,5	56,5	0,5156	500		-	173	52	55	0,5844	550			-	198	55,5	58,5	0,6531	560		-	203	56	59	0,6669	600			-	223	59	62	0,7219	1100 x		630	-	238	60,5	63,5	0,7631			BF	M4	650	3	248	62		65		0,7906	700	28	273			65,5	68,5			0,8594	710	33	278	66		69	0,8731	750	53	298	68,5			71,5	0,9281	800	78	323	71,5	74,5	0,9969				
	550	-	198	39,5	42,5	0,4156				560	-	203	40	43	0,4244						600	-	223	42			45	0,4594	1000 x	630	-	238			43,5	46,5	0,4856	BF			M3		600	-	223	42	45	0,4594	BFN	M2			650	3		248	44,5	47,5	0,5031					700	28		273	47	50	0,5469						710	33		278			47	50		0,5556						750						53						298						49						52					0,5906					800			78			323			51,5	54,5	0,6344	150	-	-	23,1	23,2	0,0731	BF	M1	180	-	13	26			27,5	0,1024			200			-	23	27	28,5	0,1219			225	-			36	28,5	30	0,1463			250	-	48	30	31,5	0,1706	280	-	63						31,5	33					0,1999	300					-	73								32,5	34	0,2194			315	-	80,5	33,5	35	0,2340	355	-	100,5	35,5	37	0,2730	400	-	123	35	38	0,3169	450	-	148	37,5	40,5	0,3656	500	-	173	40	43	0,4144	550	-	198	42,5	45,5	0,4631	560	-	203	43	46	0,4729	600	-	223	45	48	0,5119	1100 x	630	-	238	47	50	0,5411	BF	M3	630	-		238	47	50	0,5411	BFN	M2			650	3	248		48	51	0,5606			700	28	273	51					54	0,6094	710		33	278		51				54	0,6191	750							53								298	53												56	0,6581						800						78	323	55,5	58,5					0,7069	180			-	13					28	29,5							0,1129	BF	M1	200							-	23	29	30,5			0,1344	225			-	36	30,5	32	0,1613	250					-			48	32	33,5			0,1881	280	-	63			34	35,5					0,2204	300	-					73			35	36,5	0,2419	180			-	13	31			32,5	0,1286	BF	M2	200	-			23	32,5			34	0,1531	225	-	36			34	35,5			0,1838	250	-	48	35,5	37			0,2144	280	-	63	37,5	39	0,2511	300	-	73	39					40,5	0,2756	315	-	80,5		40	41,5	0,2940			355			-	100,5	42,5	45,5	0,3430	400	-	123	45,5					48,5	0,3981	450	-				148	49		52	0,4594	500	-		173	47,5	50,5	0,5206	550	-			198	50,5	53,5	0,5819				560	-	203	51,5	54,5	0,5941			600	-	223	54		57	0,6431	1400 x	630	-			238					55,5	58,5	0,7631	BF		M3	650	3	248	56,5	59,5					0,7906	700		28		273	60	63	0,7656	710					33	278			60		63	0,7779	750	53		298			62,5		65,5	0,8269		800		78			323	65,5	68,5					0,8881	180	-	13		34	35,5	0,1444	BF	M4	200					-	23	35,5	37	0,1719	225	-	36	37,5	39					0,2063	250	-	48	39,5	41	0,2406	280	-	63	41,5			43			0,2819	300	-	73	43	44,5	0,3094	315	-	80,5	44	47	0,3300	355	-	100,5			47	50	0,3850	400	-	123	50	53	0,4469	450	-	148	53,5	56,5	0,5156	500	-	173		52	55	0,5844	550	-	198			55,5	58,5	0,6531	560	-	203		56	59	0,6669	600	-	223			59	62	0,7219	1100 x	630	-		238	60,5	63,5	0,7631	BF	M4			650	3	248	62	65			0,7906	700	28	273	65,5	68,5					0,8594	710	33	278		66		69	0,8731	750	53			298	68,5			71,5	0,9281	800	78	323		71,5	74,5	0,9969																	
	560	-	203	40	43	0,4244				600	-	223	42	45	0,4594		1000 x				630	-	238	43,5	46,5	0,4856	BF	M3		600	-	223			42	45	0,4594		BFN	M2			650	3	248	44,5	47,5	0,5031					700	28		273	47	50	0,5469					710	33		278	47	50	0,5556						750	53		298			49	52		0,5906						800						78						323						51,5						54,5					0,6344					150			-			-		23,1	23,2	0,0731	BF	M1	180	-	13	26	27,5			0,1024	200	-	23	27	28,5	0,1219	225			-			36	28,5	30	0,1463	250	-	48	30	31,5			0,1706	280	-	63			31,5	33	0,1999	300	-	73	32,5	34	0,2194						315	-					80,5	33,5					35	0,2340					355	-		100,5	35,5	37			0,2730	400	-	123	35	38	0,3169	450	-	148	37,5	40,5	0,3656	500	-	173	40	43	0,4144	550	-	198	42,5	45,5	0,4631	560	-	203	43	46	0,4729	600	-	223	45	48	0,5119	1100 x	630	-	238	47	50	0,5411	BF	M3	630	-		238	47	50	0,5411	BFN	M2			650	3		248	48	51	0,5606					700	28	273		51	54	0,6094			710	33	278	51					54	0,6191	750		53	298	53	56				0,6581	800	78		323	55,5				58,5			0,7069	180				-	13												28	29,5						0,1129						BF	M1	200	-					23	29			30,5	0,1344		225	-		36	30,5							32			0,1613							250	-	48	32			33,5	0,1881			280	-	63	34	35,5	0,2204					300	-	73	35	36,5	0,2419			180	-	13	31			32,5	0,1286					BF	M2	200					-			23	32,5	34	0,1531			225	-	36			34	35,5			0,1838	250			-	48			35,5	37	0,2144	280	-			63	37,5			39	0,2511	300	-	73	39			40,5	0,2756	315	-	80,5	40	41,5	0,2940	355	-	100,5					42,5	45,5	0,3430	400	-	123	45,5	48,5	0,3981			450	-	148	49	52	0,4594	500	-	173	47,5	50,5	0,5206					550	-	198	50,5				53,5	0,5819		560	-	203	51,5		54,5	0,5941	600	-	223	54			57	0,6431	1400 x	630	-	238		55,5	58,5	0,7631	BF	M3	650			3	248	56,5	59,5		0,7906	700		28	273			60					63	0,7656	710				33	278	60	63	0,7779					750	53		298		62,5	65,5	0,8269	800	78					323	65,5			68,5		0,8881	180	-	13		34			35,5		0,1444	BF		M4		200			-	23	35,5					37	0,1719	225	-		36	37,5	39			0,2063					250	-	48	39,5	41	0,2406	280	-	63	41,5					43	0,2819	300	-	73	43	44,5	0,3094	315	-	80,5			44			47	0,3300	355	-	100,5	47	50	0,3850	400	-	123	50	53	0,4469	450	-			148	53,5	56,5	0,5156	500	-	173	52	55	0,5844	550	-	198	55,5	58,5	0,6531	560	-	203	56	59	0,6669	600	-	223	59	62	0,7219	1100 x	630	-	238	60,5		63,5	0,7631	BF	M4	650	3			248	62	65		0,7906	700		28	273	65,5	68,5					0,8594	710	33	278	66			69	0,8731	750	53	298	68,5					71,5	0,9281	800	78		323		71,5	74,5	0,9969																																	
	600	-	223	42	45	0,4594			1000 x	630	-	238	43,5	46,5	0,4856				BF	M3	600	-	223	42	45	0,4594				BFN	M2	650	3	248	44,5	47,5	0,5031						700	28	273	47	50	0,5469					710	33		278	47	50	0,5556					750	53		298	49	52	0,5906						800	78		323			51,5	54,5		0,6344						150						-						-						23,1						23,2					0,0731					BF			M1			180	-	13	26	27,5			0,1024	200	-	23	27			28,5	0,1219	225	-	36	28,5	30	0,1463	250	-	48			30	31,5	0,1706	280	-	63	31,5	33	0,1999	300	-	73	32,5	34	0,2194			315	-	80,5	33,5	35	0,2340	355	-	100,5						35,5	37					0,2730	400					-	123					35	38		0,3169	450	-	148	37,5	40,5	0,3656	500	-	173	40	43	0,4144	550	-	198	42,5	45,5	0,4631	560	-	203	43	46	0,4729	600	-	223	45	48	0,5119	1100 x	630	-	238	47	50	0,5411	BF	M3	630	-		238	47	50	0,5411	BFN	M2			650	3		248	48	51	0,5606					700	28		273	51	54	0,6094					710	33	278		51	54	0,6191			750	53	298	53					56	0,6581	800		78	323	55,5	58,5				0,7069	180	-		13	28	29,5			0,1129			BF	M1		200	-	23	29							30,5	0,1344				225	-						36								30,5	32					0,1613	250			-	48		32	33,5		0,1881	280							-			63	34	35,5					0,2204	300	-	73			35	36,5			0,2419	180	-	13	31	32,5					0,1286	BF	M2	200	-	23			32,5	34	0,1531	225			-	36	34	35,5					0,1838					250			-	48	35,5	37			0,2144	280	-			63	37,5			39	0,2511			300	-			73	39	40,5	0,2756	315			-	80,5			40	41,5	0,2940	355	-	100,5			42,5	45,5	0,3430	400	-	123	45,5	48,5	0,3981	450	-					148	49	52	0,4594	500	-	173	47,5	50,5			0,5206	550	-	198	50,5	53,5	0,5819	560	-	203	51,5	54,5			0,5941		600	-	223	54		57	0,6431	1400 x	630		-	238	55,5	58,5		0,7631	BF	M3	650	3	248			56,5	59,5		0,7906	700	28		273	60	63			0,7656			710	33	278	60		63	0,7779		750	53	298	62,5	65,5					0,8269	800	78				323	65,5	68,5	0,8881	180					-	13		34		35,5	0,1444	BF	M4	200					-	23			35,5		37	0,1719	225	-		36			37,5		39					0,2063			250	-	48					39,5	41	0,2406	280		-	63	41,5			43					0,2819	300	-	73	43	44,5	0,3094	315	-	80,5					44	47	0,3300	355	-	100,5	47	50	0,3850	400	-			123			50	53	0,4469	450	-	148	53,5	56,5	0,5156	500	-	173	52	55	0,5844	550			-	198	55,5	58,5	0,6531	560	-	203	56	59	0,6669	600	-	223	59	62	0,7219	1100 x	630	-	238	60,5	63,5	0,7631	BF	M4	650	3		248	62	65	0,7906	700	28	273			65,5	68,5	0,8594	710	33	278	66		69	0,8731		750	53	298	68,5					71,5	0,9281	800	78	323			71,5	74,5	0,9969																																																		
1000 x	630	-	238	43,5	46,5	0,4856	BF	M3		600	-	223	42	45	0,4594	BFN		M2																																																																																																																																																																																																																																																																																																																																																																																																																																																																																																																																																																																																																																																																																																																																																																																																																																
	650	3	248	44,5	47,5	0,5031				700	28	273	47	50	0,5469						710	33	278	47	50	0,5556						750	53	298	49	52	0,5906						800	78	323	51,5	54,5	0,6344					150	-		-	23,1	23,2	0,0731					BF	M1		180	-	13	26						27,5	0,1024		200			-	23		27						28,5						0,1219						225						-					36	28,5					30	0,1463	250							-	48	30	31,5	0,1706	280	-			63	31,5	33	0,1999	300			-	73	32,5	34	0,2194	315	-	80,5	33,5	35	0,2340			355	-	100,5	35,5	37	0,2730	400	-	123	35	38	0,3169	450	-	148			37,5	40,5	0,3656	500	-	173	40	43	0,4144						550	-				198	42,5	45,5	0,4631				560	-					203	43		46	0,4729	600	-	223	45	48	0,5119	1100 x	630	-	238	47	50	0,5411	BF	M3	630	-	238	47	50	0,5411	BFN	M2	650	3	248	48	51	0,5606		700	28	273	51	54	0,6094			710	33		278	51	54	0,6191					750	53		298	53	56	0,6581					800	78		323	55,5	58,5	0,7069					180	-	13		28	29,5	0,1129			BF	M1	200	-		23			29	30,5	0,1344		225	-	36	30,5		32	0,1613	250	-	48		32	33,5	0,1881			280		-			63	34	35,5	0,2204	300							-	73				35	36,5						0,2419								180	-					13	31			32,5	0,1286		BF	M2		200	-			23	32,5			34			0,1531	225	-					36	34	35,5	0,1838			250	-			48	35,5	37	0,2144	280	-					63			37,5	39	0,2511			300	-	73	39	40,5	0,2756	315	-	80,5	40					41,5					0,2940			355	-	100,5	42,5			45,5	0,3430	400			-	123			45,5	48,5			0,3981	450			-	148	49	52	0,4594			500	-			173	47,5	50,5	0,5206	550	-			198	50,5	53,5	0,5819	560	-	203	51,5	54,5	0,5941	600					-	223	54	57	0,6431	1400 x	630	-	238			55,5	58,5	0,7631	BF	M3	650	3	248	56,5	59,5	0,7906	700	28		273		60	63	0,7656	710	33	278	60		63	0,7779	750	53	298	62,5		65,5			0,8269	800	78			323	65,5		68,5	0,8881	180		-	13	34			35,5			0,1444	BF	M4	200		-	23		35,5	37	0,1719	225	-	36	37,5			39	0,2063	250				-	48	39,5	41	0,2406					280	-		63		41,5	43			0,2819					300	-			73		43	44,5	0,3094	315		-			80,5		44					47			0,3300	355	-					100,5	47	50	0,3850		400	-	123			50					53	0,4469	450	-	148	53,5	56,5	0,5156	500	-					173	52	55	0,5844	550	-	198	55,5	58,5	0,6531	560			-			203	56	59	0,6669	600	-	223	59	62	0,7219	1100 x	630	-	238	60,5	63,5			0,7631	BF	M4	650	3	248	62	65	0,7906	700	28	273	65,5	68,5	0,8594	710	33		278	66	69	0,8731	750	53			298	68,5		71,5	0,9281	800	78	323	71,5	74,5			0,9969																																																																														
	700	28	273	47	50	0,5469				710	33	278	47	50	0,5556						750	53	298	49	52	0,5906						800	78	323	51,5	54,5	0,6344						150	-	-	23,1	23,2	0,0731					BF	M1		180	-	13	26								27,5	0,1024	200	-						23	27		28,5			0,1219	225		-						36						28,5						30					0,1463	250					-	48	30	31,5			0,1706	280	-				63	31,5		33	0,1999	300	-	73	32,5	34			0,2194	315	-	80,5	33,5			35	0,2340	355	-	100,5	35,5	37	0,2730	400	-	123			35	38	0,3169	450	-	148	37,5	40,5	0,3656	500	-	173	40	43	0,4144			550	-	198	42,5	45,5	0,4631	560	-	203						43	46			0,4729	600	-	223	45	48			0,5119	1100 x					630	-		238	47	50	0,5411	BF	M3	630	-		238	47	50	0,5411	BFN	M2			650	3	248	48	51	0,5606			700	28	273	51	54	0,6094		710	33	278	51	54	0,6191			750	53		298	53	56	0,6581					800	78		323	55,5	58,5	0,7069					180	-		13	28	29,5	0,1129					BF	M1	200		-	23	29					30,5	0,1344		225		-	36	30,5	32		0,1613	250	-	48		32	33,5	0,1881	280	-		63	34	35,5	0,2204	300	-		73			35	36,5	0,2419	180	-					13	31	32,5	0,1286				BF	M2						200								-	23					32,5	34			0,1531	225					-	36			34	35,5			0,1838			250	-	48			35,5	37	0,2144	280	-	63			37,5	39			0,2511	300	-	73	39	40,5					0,2756			315	-	80,5			40	41,5	0,2940	355	-	100,5	42,5	45,5	0,3430	400					-		123	45,5		48,5			0,3981	450	-	148			49	52	0,4594			500	-			173	47,5			50,5	0,5206			550	-	198	50,5	53,5			0,5819	560			-	203	51,5	54,5	0,5941	600			-	223	54	57	0,6431	1400 x	630	-	238	55,5	58,5					0,7631	BF	M3	650	3		248	56,5	59,5			0,7906	700	28			273	60	63	0,7656	710	33	278	60		63		0,7779	750	53	298	62,5	65,5	0,8269		800	78	323	65,5	68,5	0,8881	180	-			13	34	35,5	0,1444	BF	M4	200		-	23	35,5		37	0,1719	225			-			36			37,5		39	0,2063		250	-	48	39,5	41	0,2406	280			-	63	41,5				43	0,2819	300	-	73			43	44,5	0,3094	315		-		80,5	44			47					0,3300	355			-		100,5	47	50	0,3850		400			-		123					50			53	0,4469	450					-	148	53,5	56,5		0,5156	500	-			173					52	55	0,5844	550	-	198	55,5	58,5	0,6531	560					-	203	56	59	0,6669	600	-	223	59	62	0,7219			1100 x			630	-	238	60,5	63,5	0,7631	BF	M4	650	3		248	62	65	0,7906	700			28			273	65,5	68,5	0,8594	710	33	278	66	69	0,8731	750	53	298	68,5		71,5	0,9281	800	78	323	71,5			74,5	0,9969																																																																																									
	710	33	278	47	50	0,5556				750	53	298	49	52	0,5906						800	78	323	51,5	54,5	0,6344						150	-	-	23,1	23,2	0,0731						BF	M1	180	-	13	26								27,5	0,1024	200	-								23	27	28,5	0,1219						225	-		36			28,5	30		0,1463						250						-					48	30					31,5	0,1706	280	-			63	31,5	33	0,1999			300	-	73	32,5	34		0,2194	315		-	80,5	33,5	35	0,2340	355	-			100,5	35,5	37	0,2730	400			-	123	35	38	0,3169	450	-	148	37,5	40,5	0,3656			500	-	173	40	43	0,4144	550	-	198	42,5	45,5	0,4631	560	-	203			43	46	0,4729	600	-	223	45	48	0,5119						1100 x	630		-	238	47	50	0,5411	BF	M3	630		-						238	47		50	0,5411	BFN	M2			650	3		248	48	51	0,5606					700	28	273	51	54	0,6094			710	33	278	51	54	0,6191		750	53	298	53	56	0,6581			800	78		323	55,5	58,5	0,7069					180	-		13	28	29,5	0,1129					BF	M1		200	-	23	29							30,5		0,1344	225	-					36	30,5		32		0,1613	250	-	48	32	33,5	0,1881	280	-		63	34	35,5	0,2204	300		-	73	35	36,5	0,2419	180		-			13	31	32,5	0,1286	BF	M2	200			-	23	32,5	34							0,1531	225			-								36	34					35,5	0,1838			250	-					48	35,5			37	0,2144			280			-	63	37,5			39	0,2511	300	-	73	39			40,5	0,2756	315	-	80,5	40	41,5	0,2940	355	-					100,5			42,5	45,5	0,3430			400	-	123	45,5	48,5	0,3981	450	-	148	49					52		0,4594	500		-			173	47,5	50,5	0,5206	550	-	198	50,5	53,5			0,5819	560			-	203			51,5	54,5			0,5941	600	-	223	54			57	0,6431			1400 x	630	-	238	55,5	58,5			0,7631	BF	M3	650	3		248	56,5	59,5	0,7906	700					28			273	60		63	0,7656	710			33	278	60			63	0,7779	750	53	298	62,5	65,5	0,8269		800		78	323	65,5	68,5	0,8881	180	-		13	34	35,5	0,1444	BF	M4	200	-			23	35,5	37	0,1719			225		-	36	37,5	39	0,2063	250	-			48	39,5	41	0,2406			280		-	63		41,5	43	0,2819	300	-	73	43			44,5	0,3094	315				-	80,5	44	47	0,3300			355	-	100,5	47		50		0,3850	400			-					123	50	53	0,4469	450		-	148	53,5	56,5		0,5156			500		-					173			52	55	0,5844					550	-	198	55,5		58,5	0,6531	560			-					203	56	59	0,6669	600	-	223	59	62	0,7219					1100 x	630	-	238	60,5	63,5	0,7631	BF	M4	650	3						248	62	65	0,7906	700	28			273	65,5		68,5	0,8594	710	33	278			66			69	0,8731	750	53	298	68,5	71,5	0,9281	800	78	323	71,5	74,5	0,9969																																																																																																				
	750	53	298	49	52	0,5906				800	78	323	51,5	54,5	0,6344						150	-	-	23,1	23,2	0,0731						BF	M1	180	-	13	26								27,5	0,1024	200	-								23	27	28,5	0,1219								225	-	36	28,5						30	0,1463		250			-	48		30						31,5					0,1706	280					-	63	31,5	33			0,1999	300	-	73			32,5	34	0,2194	315	-	80,5	33,5	35	0,2340	355	-		100,5	35,5		37	0,2730	400	-	123	35	38			0,3169	450	-	148	37,5			40,5	0,3656	500	-	173	40	43	0,4144	550	-	198			42,5	45,5	0,4631	560	-	203	43	46	0,4729	600	-	223	45	48	0,5119			1100 x	630	-	238	47	50	0,5411	BF	M3							630	-	238	47	50	0,5411	BFN			M2	650	3						248	48		51	0,5606					700	28		273	51	54	0,6094					710	33	278	51	54	0,6191			750	53	298	53	56	0,6581		800	78	323	55,5	58,5	0,7069			180	-		13	28	29,5	0,1129					BF	M1		200	-	23	29								30,5	0,1344	225	-							36		30,5	32	0,1613					250	-		48		32	33,5	0,1881	280	-	63	34	35,5	0,2204	300	-	73	35	36,5	0,2419		180	-	13	31	32,5	0,1286		BF			M2	200	-	23			32,5			34	0,1531	225	-	36	34					35,5	0,1838			250		-	48					35,5	37					0,2144	280			-	63					37,5	39			0,2511	300			-			73	39	40,5			0,2756	315	-	80,5	40	41,5			0,2940	355	-	100,5	42,5	45,5	0,3430	400	-	123	45,5	48,5			0,3981			450	-	148			49	52	0,4594	500	-	173	47,5	50,5	0,5206	550					-		198	50,5		53,5			0,5819	560	-	203	51,5	54,5	0,5941	600	-			223	54			57	0,6431	1400 x	630	-	238			55,5	58,5	0,7631	BF	M3			650	3				248	56,5	59,5	0,7906	700			28			273	60		63	0,7656	710	33	278					60			63	0,7779		750	53	298			62,5	65,5	0,8269			800	78	323	65,5	68,5	0,8881	180	-		13		34	35,5	0,1444	BF	M4	200	-		23	35,5	37	0,1719			225	-			36	37,5	39	0,2063			250		-	48	39,5	41	0,2406	280	-			63	41,5	43	0,2819			300	-	73	43		44,5	0,3094	315	-	80,5	44	47	0,3300	355	-	100,5	47				50	0,3850	400	-	123			50	53	0,4469	450		-		148	53,5			56,5					0,5156	500	-	173	52		55	0,5844	550	-		198			55,5	58,5	0,6531		560			-			203	56	59					0,6669	600	-	223		59	62	0,7219			1100 x					630	-	238	60,5	63,5	0,7631	BF	M4	650	3						248	62	65	0,7906	700	28			273	65,5						68,5	0,8594	710	33	278	66			69	0,8731		750	53	298	68,5	71,5			0,9281			800	78	323	71,5	74,5	0,9969																																																																																																												
	800	78	323	51,5	54,5	0,6344				150	-	-	23,1	23,2	0,0731						BF	M1	180	-	13	26								27,5	0,1024	200	-								23	27	28,5	0,1219								225	-	36	28,5								30	0,1463	250	-						48	30		31,5			0,1706	280		-					63	31,5					33	0,1999	300	-			73	32,5	34	0,2194			315	-	80,5	33,5	35	0,2340	355	-	100,5	35,5	37	0,2730	400	-	123	35	38		0,3169	450		-	148	37,5	40,5	0,3656	500	-			173	40	43	0,4144	550			-	198	42,5	45,5	0,4631	560	-	203	43	46	0,4729			600	-	223	45	48	0,5119	1100 x	630	-	238	47	50	0,5411	BF	M3				630	-	238	47	50	0,5411							BFN		M2	650	3	248	48	51					0,5606	700		28				273	51		54	0,6094					710	33		278	51	54	0,6191					750	53	298	53	56	0,6581			800	78	323	55,5	58,5	0,7069		180	-	13	28	29,5	0,1129			BF	M1		200	-	23	29								30,5	0,1344	225	-								36	30,5	32	0,1613							250		-	48	32					33,5	0,1881		280		-	63	34	35,5	0,2204	300	-	73	35	36,5	0,2419	180	-	13	31	32,5	0,1286	BF	M2	200	-	23						32,5	34	0,1531			225			-	36	34	35,5	0,1838	250					-	48	35,5	37	0,2144		280	-					63	37,5	39	0,2511			300	-			73	39					40,5	0,2756			315	-			80,5			40	41,5	0,2940			355	-	100,5	42,5	45,5	0,3430			400	-	123	45,5	48,5	0,3981	450	-	148	49	52	0,4594			500			-	173	47,5	50,5	0,5206	550	-	198	50,5	53,5	0,5819	560	-	203	51,5					54,5		0,5941	600		-			223	54	57	0,6431	1400 x	630	-	238	55,5			58,5	0,7631			BF	M3		650	3	248			56,5	59,5	0,7906			700	28	273	60				63	0,7656	710	33	278			60			63	0,7779		750	53	298	62,5	65,5					0,8269			800	78		323	65,5	68,5			0,8881	180	-			13	34	35,5	0,1444	BF	M4	200	-		23		35,5	37	0,1719			225	-		36	37,5	39	0,2063			250	-			48	39,5	41	0,2406			280		-	63	41,5	43	0,2819	300	-			73	43	44,5	0,3094			315	-	80,5	44		47	0,3300	355	-	100,5	47	50	0,3850	400	-	123	50		53		0,4469	450	-	148	53,5	56,5	0,5156	500	-	173	52		55		0,5844	550			-					198	55,5	58,5	0,6531	560		-	203	56	59		0,6669			600	-	223		59			62			0,7219	1100 x	630			-	238	60,5	63,5	0,7631	BF		M4	650	3								248	62	65	0,7906	700	28			273	65,5						68,5	0,8594	710	33	278	66			69	0,8731						750	53	298	68,5	71,5	0,9281			800	78		323	71,5	74,5	0,9969																																																																																																																								
	150	-	-	23,1	23,2	0,0731				BF	M1	180	-	13	26								27,5	0,1024	200	-								23	27	28,5	0,1219								225	-	36	28,5								30	0,1463	250	-								48	30	31,5	0,1706						280	-		63			31,5	33	0,1999	300					-	73	32,5	34			0,2194	315	-	80,5			33,5	35	0,2340	355	-	100,5	35,5	37	0,2730	400	-	123	35	38	0,3169	450	-	148	37,5	40,5	0,3656	500	-		173	40		43	0,4144	550	-	198	42,5	45,5			0,4631	560	-	203	43			46	0,4729	600	-	223	45	48	0,5119	1100 x	630	-			238	47	50	0,5411	BF	M3		630	-	238	47	50	0,5411						BFN	M2	650	3	248	48						51				0,5606	700	28	273	51					54	0,6094		710	33			278	51		54	0,6191					750	53		298	53	56	0,6581					800	78	323	55,5	58,5	0,7069			180	-	13	28	29,5	0,1129		BF	M1	200	-	23	29						30,5	0,1344	225	-								36	30,5	32	0,1613								250	-	48	32							33,5		0,1881	280	-					63	34		35,5		0,2204	300	-	73	35	36,5	0,2419	180	-	13	31	32,5	0,1286	BF	M2	200	-			23	32,5	34	0,1531					225	-	36			34			35,5	0,1838	250	-	48	35,5					37	0,2144	280	-	63		37,5	39	0,2511	300			-	73	39	40,5			0,2756	315	-	80,5	40	41,5					0,2940	355			-	100,5			42,5			45,5	0,3430	400			-	123	45,5	48,5	0,3981	450			-	148	49	52	0,4594	500	-	173	47,5	50,5	0,5206	550			-			198	50,5	53,5	0,5819	560	-	203	51,5	54,5	0,5941	600	-	223	54	57	0,6431	1400 x			630		-	238		55,5			58,5	0,7631	BF	M3		650	3	248	56,5			59,5	0,7906						700	28	273			60	63	0,7656			710	33	278	60				63	0,7779	750	53	298	62,5	65,5	0,8269			800	78		323	65,5	68,5	0,8881	180					-			13	34		35,5	0,1444	BF			M4	200	-			23	35,5	37	0,1719			225	-		36		37,5	39	0,2063			250	-		48	39,5	41	0,2406			280	-			63	41,5	43	0,2819			300		-	73	43	44,5	0,3094	315	-			80,5	44	47	0,3300			355	-	100,5	47		50	0,3850	400	-	123	50	53	0,4469	450	-	148	53,5		56,5		0,5156	500	-	173	52	55	0,5844	550	-	198	55,5		58,5	0,6531	560	-			203		56	59		0,6669	600	-	223	59		62	0,7219	1100 x	630		-			238	60,5	63,5		0,7631			BF			M4		650			3	248	62	65	0,7906				700	28						273	65,5	68,5	0,8594	710	33	278	66			69	0,8731						750	53	298	68,5	71,5	0,9281			800	78						323	71,5	74,5	0,9969																																																																																																																																			
	180	-	13	26	27,5	0,1024						200	-	23	27								28,5	0,1219	225	-								36	28,5	30	0,1463								250	-	48	30								31,5	0,1706	280	-								63	31,5	33	0,1999						300	-	73	32,5			34	0,2194	315	-	80,5	33,5			35	0,2340	355	-			100,5	35,5	37	0,2730	400	-	123	35	38	0,3169	450	-	148	37,5	40,5	0,3656	500	-	173	40	43	0,4144	550	-	198	42,5	45,5	0,4631	560		-	203		43	46	0,4729	600	-	223	45			48	0,5119	1100 x	630	-			238	47	50	0,5411	BF	M3	630	-		238	47			50	0,5411	BFN	M2				650	3	248	48	51	0,5606								700	28	273	51					54	0,6094				710	33	278	51	54					0,6191	750		53	298	53		56	0,6581		800	78					323	55,5		58,5	0,7069	180	-					13	28	29,5	0,1129	BF	M1			200	-	23	29	30,5	0,1344				225	-	36	30,5						32	0,1613	250	-								48	32	33,5	0,1881								280	-	63	34							35,5		0,2204	300	-					73	35		36,5		0,2419	180	-	13	31	32,5	0,1286	BF	M2	200	-	23	32,5			34	0,1531			225	-	36	34					35,5	0,1838	250			-		48	35,5	37	0,2144	280	-	63					37,5	39	0,2511	300	-		73	39	40,5	0,2756			315	-	80,5	40	41,5	0,2940	355	-	100,5	42,5	45,5	0,3430					400	-	123	45,5	48,5	0,3981			450			-	148	49			52	0,4594	500	-	173	47,5			50,5	0,5206	550	-	198	50,5	53,5	0,5819	560	-	203	51,5			54,5			0,5941	600	-	223	54	57	0,6431	1400 x	630	-	238	55,5	58,5	0,7631	BF	M3				650		3	248		56,5	59,5	0,7906	700	28				273	60	63	0,7656			710	33						278	60	63			0,7779	750	53			298	62,5	65,5	0,8269				800	78	323	65,5	68,5	0,8881	180	-			13	34		35,5	0,1444	BF	M4	200			-	23	35,5			37	0,1719		225	-					36	37,5			39	0,2063	250	-			48	39,5		41		0,2406	280	-			63	41,5		43	0,2819	300	-			73	43			44,5	0,3094	315	-			80,5		44	47	0,3300	355	-	100,5	47			50	0,3850	400	-			123	50	53	0,4469		450	-	148	53,5	56,5	0,5156	500	-	173	52	55	0,5844		550		-	198	55,5	58,5	0,6531	560	-	203	56	59	0,6669		600	-	223	59			62		0,7219	1100 x		630	-	238	60,5	63,5	0,7631	BF	M4		650		3	248	62	65	0,7906	700		28								273			65,5	68,5	0,8594	710	33				278	66						69	0,8731	750	53	298	68,5	71,5	0,9281			800	78		323	71,5			74,5	0,9969																																																																																																																																																				
	200	-	23	27	28,5	0,1219						225	-	36	28,5								30	0,1463	250	-								48	30	31,5	0,1706								280	-	63	31,5								33	0,1999	300	-								73	32,5	34	0,2194		315				-	80,5	33,5	35	0,2340	355	-	100,5	35,5	37	0,2730	400			-	123	35	38	0,3169	450	-	148	37,5	40,5	0,3656	500	-	173	40	43	0,4144	550	-	198	42,5	45,5	0,4631	560	-	203	43	46	0,4729	600	-	223	45	48	0,5119		1100 x	630		-	238	47	50	0,5411	BF	M3			630	-		238	47			50	0,5411	BFN	M2			650	3		248	48			51	0,5606						700	28	273	51	54	0,6094								710	33	278	51				54	0,6191	750				53	298	53	56	0,6581					800	78		323	55,5	58,5	0,7069	180	-		13	28					29,5	0,1129		BF	M1	200	-					23	29	30,5	0,1344					225	-	36	30,5	32	0,1613				250	-	48	32						33,5	0,1881	280	-								63	34	35,5	0,2204								300	-	73	35							36,5		0,2419	180	-					13	31		32,5		0,1286	BF	M2	200	-	23	32,5			34	0,1531	225	-			36	34			35,5	0,1838	250	-					48	35,5	37			0,2144		280	-	63	37,5	39	0,2511	300				-	73	39	40,5	0,2756	315		-	80,5	40	41,5			0,2940	355	-	100,5	42,5	45,5	0,3430	400	-	123	45,5	48,5	0,3981			450	-	148	49	52	0,4594	500			-			173	47,5	50,5	0,5206	550	-	198	50,5	53,5	0,5819	560			-	203	51,5	54,5	0,5941	600	-	223	54	57	0,6431	1400 x			630			-	238	55,5	58,5	0,7631	BF	M3		650	3	248	56,5	59,5	0,7906						700		28	273		60	63	0,7656	710	33				278	60	63	0,7779	750	53	298	62,5						65,5	0,8269	800			78	323	65,5			68,5	0,8881	180	-				13	34	35,5	0,1444	BF	M4	200	-			23	35,5		37	0,1719			225			-	36	37,5			39	0,2063		250	-		48	39,5		41	0,2406			280	-	63	41,5			43	0,2819		300		-	73	43			44,5	0,3094		315	-	80,5	44			47	0,3300			355	-	100,5	47			50		0,3850	400	-	123	50	53	0,4469			450	-	148	53,5			56,5	0,5156	500	-		173	52	55	0,5844	550	-	198	55,5	58,5	0,6531	560	-		203		56	59	0,6669	600	-	223	59	62	0,7219	1100 x	630		-	238	60,5	63,5			0,7631		BF			M4	650	3	248	62	65				0,7906		700	28	273	65,5	68,5	0,8594		710		33						278	66	69	0,8731	750	53	298	68,5				71,5	0,9281						800	78	323	71,5	74,5	0,9969																																																																																																																																																																	
	225	-	36	28,5	30	0,1463						250	-	48	30								31,5	0,1706	280	-								63	31,5	33	0,1999								300	-	73	32,5								34	0,2194	315	-							80,5	33,5	35	0,2340	355		-		100,5	35,5	37	0,2730	400	-	123	35	38	0,3169	450	-	148	37,5	40,5	0,3656	500	-	173	40	43	0,4144	550	-	198	42,5	45,5	0,4631	560	-	203	43	46	0,4729	600	-	223	45	48	0,5119	1100 x	630	-	238	47	50	0,5411	BF	M3	630	-			238		47	50	0,5411	BFN	M2					650	3		248	48			51	0,5606					700	28		273	51			54	0,6094						710	33	278	51	54	0,6191								750	53	298	53			56	0,6581	800	78				323	55,5	58,5	0,7069	180					-	13		28	29,5	0,1129	BF	M1	200	-	23	29					30,5	0,1344				225	-					36	30,5	32	0,1613					250	-	48	32	33,5	0,1881				280	-	63	34						35,5	0,2204	300	-								73	35	36,5	0,2419								180	-	13	31							32,5		0,1286	BF	M2					200	-		23		32,5			34	0,1531	225	-			36	34	35,5	0,1838			250	-			48	35,5	37	0,2144					280	-	63			37,5		39	0,2511	300	-	73	39	40,5				0,2756	315	-	80,5	40	41,5	0,2940	355	-	100,5	42,5			45,5	0,3430	400	-	123	45,5	48,5	0,3981	450	-	148	49	52			0,4594	500	-	173	47,5	50,5	0,5206	550	-	198			50,5	53,5	0,5819	560	-	203	51,5	54,5	0,5941	600	-	223	54	57	0,6431	1400 x	630	-	238	55,5	58,5	0,7631	BF	M3				650			3	248	56,5	59,5	0,7906				700	28	273	60	63	0,7656						710		33	278		60	63	0,7779	750	53				298	62,5	65,5	0,8269	800	78	323	65,5						68,5	0,8881	180	-	13	34	35,5	0,1444			BF	M4	200	-				23	35,5	37	0,1719			225	-			36	37,5		39	0,2063			250			-	48	39,5			41	0,2406		280	-		63	41,5		43	0,2819			300	-	73	43			44,5	0,3094	315	-	80,5	44	47	0,3300			355	-		100,5	47	50	0,3850			400	-			123	50	53	0,4469			450		-	148	53,5	56,5	0,5156	500	-			173	52	55	0,5844			550	-	198	55,5		58,5	0,6531	560	-	203	56	59	0,6669	600	-	223	59		62		0,7219	1100 x	630	-	238	60,5	63,5	0,7631	BF		M4		650	3	248	62			65						0,7906	700	28	273	65,5				68,5		0,8594	710	33	278	66	69		0,8731		750						53	298	68,5	71,5	0,9281	800	78	323		71,5		74,5	0,9969																																																																																																																																																																												
	250	-	48	30	31,5	0,1706						280	-	63	31,5								33	0,1999	300	-								73	32,5	34	0,2194								315	-	80,5	33,5							35	0,2340	355	-	100,5			35,5	37			0,2730	400	-	123	35	38	0,3169	450	-	148	37,5	40,5	0,3656	500	-	173	40	43	0,4144	550	-	198	42,5	45,5	0,4631	560	-	203	43	46	0,4729	600	-	223	45	48	0,5119	1100 x	630	-	238	47	50	0,5411	BF	M3	630	-		238	47	50	0,5411	BFN	M2			650	3			248		48	51	0,5606							700	28		273	51			54	0,6094					710	33		278	51			54	0,6191						750	53	298	53	56	0,6581			800	78				323	55,5	58,5	0,7069			180	-	13	28				29,5	0,1129	BF	M1	200					-	23		29	30,5	0,1344			225	-	36	30,5					32	0,1613				250	-					48	32	33,5	0,1881					280	-	63	34	35,5	0,2204				300	-	73	35						36,5	0,2419	180	-								13	31	32,5	0,1286								BF	M2	200	-							23	32,5	34							0,1531	225	-	36	34	35,5			0,1838	250	-	48			35,5	37	0,2144	280			-	63			37,5	39	0,2511	300					-	73	39			40,5	0,2756	315	-	80,5	40	41,5	0,2940	355	-			100,5	42,5	45,5	0,3430	400	-	123	45,5	48,5	0,3981	450			-	148	49	52	0,4594	500	-	173	47,5	50,5	0,5206	550	-			198	50,5	53,5	0,5819	560	-	203	51,5	54,5	0,5941			600	-	223	54	57	0,6431	1400 x	630	-	238	55,5	58,5	0,7631	BF	M3		650	3	248	56,5	59,5	0,7906						700			28	273	60	63	0,7656				710	33	278	60	63	0,7779						750	53	298	62,5	65,5	0,8269	800	78	323	65,5				68,5	0,8881	180	-	13	34	35,5	0,1444						BF	M4	200	-	23	35,5	37	0,1719					225	-				36	37,5	39	0,2063			250	-			48	39,5		41	0,2406			280	-	63	41,5	43	0,2819			300	-		73	43		44,5	0,3094		315	-			80,5	44	47	0,3300			355	-	100,5	47	50	0,3850	400	-			123	50		53	0,4469	450	-			148	53,5			56,5	0,5156	500	-			173		52	55	0,5844	550	-	198	55,5			58,5	0,6531	560	-			203	56	59	0,6669		600	-	223	59	62	0,7219	1100 x	630	-	238	60,5	63,5		0,7631		BF		M4	650	3	248	62	65					0,7906	700	28	273			65,5						68,5	0,8594	710	33	278				66	69	0,8731	750	53	298	68,5	71,5		0,9281		800		78	323			71,5	74,5	0,9969																																																																																																																																																																																						
	280	-	63	31,5	33	0,1999						300	-	73	32,5								34	0,2194	315	-								80,5	33,5	35	0,2340					355			-	100,5	35,5	37			0,2730	400			-	123	35	38	0,3169	450	-	148	37,5			40,5	0,3656	500	-	173	40	43	0,4144	550	-	198	42,5	45,5	0,4631	560	-	203	43	46	0,4729	600	-	223	45	48	0,5119	1100 x	630	-	238	47	50	0,5411	BF	M3	630	-		238	47	50	0,5411	BFN	M2			650	3		248	48	51	0,5606					700	28			273		51	54	0,6094							710	33		278	51			54	0,6191					750	53		298	53	56	0,6581	800	78						323	55,5	58,5	0,7069	180	-			13	28				29,5	0,1129	BF	M1			200	-	23	29				30,5	0,1344			225					-	36		30,5	32	0,1613			250	-	48	32					33,5	0,1881				280	-					63	34	35,5	0,2204					300	-	73	35	36,5	0,2419				180	-	13	31						32,5	0,1286	BF	M2								200	-	23	32,5							34			0,1531	225			-	36			34	35,5	0,1838			250	-			48	35,5	37	0,2144	280	-			63	37,5	39	0,2511			300	-	73	39			40,5	0,2756			315	-	80,5	40					41,5	0,2940	355			-	100,5	42,5	45,5	0,3430	400	-	123	45,5	48,5			0,3981	450	-	148	49	52	0,4594	500	-	173	47,5			50,5	0,5206	550	-	198	50,5	53,5	0,5819	560	-	203	51,5	54,5			0,5941	600	-	223	54	57	0,6431	1400 x	630	-			238	55,5	58,5	0,7631	BF	M3		650	3	248	56,5	59,5	0,7906				700	28	273	60	63	0,7656				710	33	278			60	63	0,7779	750	53				298	62,5	65,5	0,8269	800	78						323	65,5	68,5	0,8881	180	-	13	34	35,5	0,1444				BF	M4	200	-	23	35,5	37	0,1719								225	-	36	37,5	39	0,2063					250	-	48	39,5		41	0,2406	280	-			63	41,5			43	0,2819		300	-			73	43	44,5	0,3094	315	-			80,5	44		47	0,3300		355	-		100,5	47			50	0,3850	400	-			123	50	53	0,4469	450	-	148	53,5			56,5	0,5156		500	-	173	52			55	0,5844			550	-	198	55,5			58,5		0,6531	560	-	203	56	59	0,6669			600	-	223	59			62	0,7219	1100 x	630		-	238	60,5	63,5	0,7631	BF		M4	650	3	248	62		65					0,7906	700	28	273	65,5				68,5	0,8594	710	33	278			66	69			0,8731		750	53	298	68,5	71,5				0,9281	800	78	323	71,5	74,5	0,9969																																																																																																																																																																																																			
	300	-	73	32,5	34	0,2194						315	-	80,5	33,5								35	0,2340	355	-			100,5					35,5	37	0,2730	400	-			123	35			38	0,3169	450	-	148	37,5	40,5	0,3656			500	-	173	40	43	0,4144	550	-	198			42,5	45,5	0,4631	560	-	203	43	46	0,4729	600	-	223	45	48	0,5119	1100 x	630	-	238	47	50	0,5411	BF	M3	630	-		238	47	50	0,5411	BFN	M2			650	3		248	48	51	0,5606					700	28		273	51	54	0,6094					710	33			278		51	54	0,6191							750	53		298	53	56	0,6581	800	78					323	55,5		58,5	0,7069	180	-	13	28						29,5	0,1129	BF	M1	200	-			23	29				30,5	0,1344					225	-	36	30,5				32	0,1613			250					-	48		32	33,5	0,1881			280	-	63	34					35,5	0,2204				300	-					73	35	36,5	0,2419					180	-	13	31	32,5	0,1286				BF	M2	200	-						23	32,5									34	0,1531	225	-	36			34	35,5			0,1838			250	-	48	35,5	37	0,2144			280	-	63			37,5	39			0,2511	300	-	73	39	40,5			0,2756	315	-	80,5			40	41,5	0,2940	355			-	100,5			42,5	45,5	0,3430	400					-	123	45,5			48,5	0,3981	450	-	148	49	52	0,4594	500	-			173	47,5	50,5	0,5206	550	-	198	50,5	53,5	0,5819	560			-	203	51,5	54,5	0,5941	600	-	223	54	57	0,6431	1400 x	630			-	238	55,5	58,5	0,7631	BF	M3		650	3	248	56,5	59,5	0,7906	700	28				273	60	63	0,7656	710	33				278	60	63	0,7779	750	53				298	62,5	65,5			0,8269	800	78	323	65,5				68,5	0,8881	180	-	13	34						35,5	0,1444	BF	M4	200	-	23	35,5	37	0,1719						225	-	36	37,5	39	0,2063	250	-						48	39,5	41	0,2406	280	-					63	41,5	43	0,2819		300	-	73	43			44,5	0,3094			315	-		80,5	44			47	0,3300	355	-	100,5	47			50	0,3850		400	-		123	50		53	0,4469			450	-	148	53,5			56,5	0,5156	500	-	173	52	55	0,5844			550	-		198	55,5	58,5	0,6531			560	-			203	56	59	0,6669			600		-	223	59	62	0,7219	1100 x	630			-	238	60,5	63,5			0,7631	BF		M4	650	3	248	62	65	0,7906				700	28	273	65,5	68,5	0,8594	710				33	278	66	69	0,8731				750	53	298	68,5	71,5			0,9281	800			78		323	71,5	74,5	0,9969																																																																																																																																																																																																														
	315	-	80,5	33,5	35	0,2340						355	-	100,5	35,5		37						0,2730	400	-	123	35	38	0,3169					450	-	148	37,5	40,5	0,3656	500	-	173			40	43	0,4144	550	-	198	42,5	45,5			0,4631	560	-	203	43	46	0,4729	600	-			223	45	48	0,5119	1100 x	630	-	238	47	50	0,5411	BF	M3	630	-		238	47	50	0,5411	BFN	M2			650	3		248	48	51	0,5606					700	28		273	51	54	0,6094					710	33		278	51	54	0,6191					750	53			298		53	56	0,6581					800	78	323	55,5		58,5	0,7069	180	-	13	28					29,5	0,1129		BF	M1	200	-	23	29						30,5	0,1344			225	-			36	30,5				32	0,1613					250	-	48	32				33,5	0,1881			280					-	63		34	35,5	0,2204			300	-	73	35					36,5	0,2419				180	-					13	31	32,5	0,1286					BF	M2	200	-	23	32,5						34	0,1531					225	-	36					34	35,5			0,1838	250	-	48	35,5	37	0,2144	280	-			63			37,5	39	0,2511	300	-	73			39	40,5	0,2756			315	-			80,5	40	41,5	0,2940	355	-			100,5	42,5	45,5	0,3430			400	-	123	45,5			48,5	0,3981			450	-	148	49					52	0,4594	500			-	173	47,5	50,5	0,5206	550	-	198	50,5	53,5			0,5819	560	-	203	51,5	54,5	0,5941	600	-	223	54	57	0,6431	1400 x	630	-	238	55,5	58,5	0,7631	BF	M3	650	3		248			56,5	59,5	0,7906	700	28				273	60	63	0,7656	710	33	278	60				63	0,7779	750	53	298	62,5				65,5	0,8269	800	78	323	65,5				68,5	0,8881	180			-	13	34	35,5	0,1444				BF	M4	200	-	23	35,5				37	0,1719	225	-			36	37,5	39	0,2063	250	-						48	39,5	41	0,2406	280	-	63	41,5						43	0,2819	300	-	73	43					44,5	0,3094	315	-		80,5	44	47	0,3300			355	-			100,5	47		50	0,3850			400	-	123	50	53	0,4469			450	-		148	53,5		56,5	0,5156		500	-			173	52	55	0,5844			550	-	198	55,5	58,5	0,6531	560	-			203	56		59	0,6669	600	-			223	59			62	0,7219	1100 x	630			-	238	60,5	63,5	0,7631	BF	M4		650	3	248	62	65	0,7906	700			28				273	65,5	68,5	0,8594	710	33				278	66	69	0,8731	750	53	298				68,5	71,5	0,9281	800	78				323	71,5	74,5	0,9969																																																																																																																																																																																																																											
	355	-	100,5	35,5	37	0,2730			400			-	123	35	38		0,3169		450	-			148	37,5	40,5	0,3656	500	-	173	40	43			0,4144	550	-	198	42,5	45,5	0,4631	560	-			203	43	46	0,4729	600	-	223	45			48	0,5119	1100 x	630	-	238	47	50	0,5411			BF	M3	630	-		238	47	50	0,5411	BFN	M2			650	3		248	48	51	0,5606					700	28		273	51	54	0,6094					710	33		278	51	54	0,6191					750	53		298	53	56	0,6581					800	78	323		55,5	58,5	0,7069	180	-					13	28	29,5	0,1129		BF	M1	200	-	23	29					30,5	0,1344				225	-	36	30,5						32	0,1613			250	-			48	32				33,5	0,1881					280	-	63	34				35,5	0,2204			300					-	73		35	36,5	0,2419			180	-	13	31					32,5	0,1286				BF	M2					200	-	23	32,5							34	0,1531	225	-	36					34	35,5	0,1838	250			-	48	35,5			37	0,2144	280	-			63	37,5	39	0,2511	300	-	73	39	40,5			0,2756			315	-	80,5	40	41,5	0,2940			355	-	100,5			42,5	45,5			0,3430	400	-	123	45,5	48,5			0,3981	450	-	148			49	52	0,4594	500			-	173			47,5	50,5	0,5206	550		-	198		50,5	53,5	0,5819			560	-	203	51,5	54,5	0,5941	600	-	223	54			57	0,6431	1400 x	630	-	238	55,5	58,5	0,7631	BF	M3	650	3		248	56,5	59,5	0,7906	700	28			273	60		63			0,7656	710	33	278	60				63	0,7779	750	53	298	62,5	65,5	0,8269				800	78	323	65,5	68,5	0,8881				180	-	13	34	35,5	0,1444				BF	M4	200	-	23	35,5	37	0,1719	225	-						36	37,5	39	0,2063				250	-	48	39,5			41	0,2406	280	-	63	41,5						43	0,2819	300	-	73	43	44,5	0,3094						315	-	80,5	44	47	0,3300					355	-	100,5	47		50	0,3850	400	-			123	50			53	0,4469		450	-			148	53,5	56,5	0,5156	500	-			173	52		55	0,5844		550	-		198	55,5			58,5	0,6531	560	-			203	56	59	0,6669	600	-	223	59			62	0,7219	1100 x	630	-	238	60,5			63,5	0,7631	BF	M4	650	3		248			62	65	0,7906	700	28				273	65,5	68,5	0,8594	710	33	278			66				69	0,8731	750	53	298	68,5				71,5	0,9281	800	78	323	71,5	74,5				0,9969																																																																																																																																																																																																																																						
400	-	123	35	38	0,3169	450	-	148	37,5			40,5	0,3656	500	-	173	40	43	0,4144	550			-	198	42,5	45,5	0,4631	560	-	203	43			46	0,4729	600	-	223	45	48	0,5119	1100 x			630	-	238	47	50	0,5411	BF	M3			630	-		238	47	50	0,5411	BFN	M2					650	3		248	48	51	0,5606					700	28		273	51	54	0,6094					710	33		278	51	54	0,6191					750	53		298	53	56	0,6581					800	78		323	55,5	58,5	0,7069					180	-	13		28	29,5	0,1129	BF	M1					200	-	23	29				30,5	0,1344	225	-					36	30,5				32	0,1613	250	-						48	32			33,5	0,1881			280	-				63	34					35,5	0,2204	300	-				73	35			36,5					0,2419	180		-	13	31			32,5	0,1286	BF	M2					200	-										23	32,5	34	0,1531							225	-	36	34	35,5					0,1838	250	-	48			35,5	37	0,2144			280	-	63	37,5			39	0,2511	300	-	73	39	40,5	0,2756	315			-			80,5	40	41,5	0,2940	355	-			100,5	42,5	45,5			0,3430	400			-	123	45,5	48,5	0,3981	450			-	148	49	52			0,4594	500	-	173			47,5	50,5			0,5206	550	-	198		50,5	53,5		0,5819	560	-			203	51,5	54,5	0,5941	600	-	223	54	57	0,6431			1400 x	630		-	238	55,5	58,5	0,7631	BF			M3	650		3	248	56,5	59,5	0,7906	700			28	273		60			63	0,7656	710	33	278				60	63	0,7779	750	53	298	62,5	65,5				0,8269	800	78	323	65,5	68,5				0,8881	180	-	13	34	35,5						0,1444	BF	M4	200	-	23	35,5	37						0,1719	225	-	36				37,5	39	0,2063	250			-	48	39,5	41	0,2406	280						-	63	41,5	43	0,2819	300	-	73						43	44,5	0,3094	315	-	80,5					44	47	0,3300	355		-	100,5	47	50			0,3850	400			-	123		50	53			0,4469	450	-	148	53,5	56,5			0,5156	500		-	173		52	55		0,5844	550			-	198	55,5	58,5			0,6531	560	-	203	56	59	0,6669	600			-	223		59	62	0,7219	1100 x			630	-			238	60,5		63,5			0,7631	BF	M4	650	3				248	62	65	0,7906	700	28	273			65,5				68,5	0,8594	710	33	278	66				69	0,8731	750	53	298	68,5	71,5				0,9281	800	78	323	71,5				74,5	0,9969																																																																																																																																																																																																																													
450	-	148	37,5	40,5	0,3656	500	-	173	40			43	0,4144	550	-	198	42,5	45,5	0,4631	560			-	203	43	46	0,4729	600	-	223	45			48	0,5119	1100 x	630	-	238	47	50				0,5411	BF	M3	630	-	238					47	50		0,5411	BFN	M2	650			3	248			48	51		0,5606	700	28	273					51	54		0,6094	710	33	278					51	54		0,6191	750	53	298					53	56		0,6581	800	78	323					55,5	58,5		0,7069	180	-	13					28	29,5	0,1129		BF	M1	200							-	23	29	30,5				0,1344	225	-	36					30,5	32				0,1613	250	-	48						32	33,5			0,1881	280			-	63				34	35,5					0,2204	300	-	73				35	36,5			0,2419					180	-		13	31	32,5			0,1286	BF							M2	200	-							23	32,5	34	0,1531	225	-			36	34			35,5	0,1838	250	-	48					35,5	37	0,2144	280			-	63	37,5			39	0,2511	300	-			73	39	40,5	0,2756	315	-	80,5	40	41,5			0,2940			355	-	100,5	42,5	45,5	0,3430			400	-	123			45,5	48,5	0,3981	450	-	148	49	52	0,4594	500			-	173	47,5	50,5			0,5206	550	-	198			50,5	53,5			0,5819	560	-	203		51,5	54,5		0,5941	600	-			223	54	57	0,6431	1400 x	630	-	238	55,5	58,5				0,7631		BF	M3	650	3	248					56,5		59,5	0,7906	700	28	273	60			63	0,7656		710	33	278	60	63	0,7779	750	53				298	62,5	65,5	0,8269	800	78	323	65,5				68,5	0,8881	180	-	13	34				35,5	0,1444	BF	M4	200	-						23			35,5	37	0,1719	225	-						36	37,5	39	0,2063				250	-	48	39,5			41	0,2406	280	-	63	41,5						43	0,2819	300	-	73	43	44,5	0,3094						315	-	80,5	44	47	0,3300					355	-	100,5	47		50	0,3850	400	-			123	50			53	0,4469		450	-			148	53,5	56,5	0,5156	500	-			173	52	55	0,5844	550		-	198		55,5	58,5	0,6531	560	-	203	56	59			0,6669	600	-	223	59	62	0,7219	1100 x			630	-		238	60,5	63,5				0,7631	BF			M4	650		3			248			62	65				0,7906	700	28	273	65,5	68,5	0,8594	710	33	278				66	69	0,8731	750	53	298				68,5	71,5	0,9281	800	78	323	71,5				74,5	0,9969																																																																																																																																																																																																																																					
500	-	173	40	43	0,4144	550	-	198	42,5			45,5	0,4631	560	-	203	43	46	0,4729	600			-	223	45	48	0,5119	1100 x	630	-	238			47	50		0,5411	BF	M3	630	-				238			47	50	0,5411			BFN	M2	650	3		248			48			51	0,5606			700	28		273	51	54	0,6094					710	33		278	51	54	0,6191					750	53		298	53	56	0,6581					800	78		323	55,5	58,5	0,7069					180	-		13	28	29,5	0,1129					BF	M1	200				-							23	29	30,5	0,1344				225	-	36	30,5					32	0,1613				250	-	48	32						33,5	0,1881			280	-			63	34				35,5	0,2204					300	-	73	35				36,5	0,2419			180					-	13	31	32,5	0,1286	BF			M2						200	-		23	32,5					34	0,1531	225	-	36	34	35,5	0,1838			250	-			48	35,5	37	0,2144	280					-	63	37,5	39			0,2511	300	-			73	39	40,5	0,2756			315	-	80,5	40	41,5	0,2940	355	-	100,5			42,5			45,5	0,3430	400	-	123	45,5	48,5	0,3981	450	-	148			49	52	0,4594	500	-	173	47,5	50,5	0,5206	550			-	198	50,5	53,5			0,5819	560	-	203			51,5	54,5			0,5941	600	-	223		54	57		0,6431	1400 x	630			-	238	55,5	58,5		0,7631	BF	M3	650	3	248	56,5		59,5				0,7906	700	28					273		60	63	0,7656	710	33	278			60	63		0,7779	750	53	298	62,5	65,5	0,8269	800				78	323	65,5	68,5	0,8881	180	-	13				34	35,5	0,1444	BF	M4	200				-	23			35,5	37						0,1719			225	-	36	37,5	39						0,2063	250	-	48				39,5	41	0,2406	280			-	63	41,5	43	0,2819	300						-	73	43	44,5	0,3094	315	-	80,5						44	47	0,3300	355	-	100,5					47	50	0,3850	400		-	123	50	53			0,4469	450			-	148	53,5	56,5	0,5156			500	-	173	52	55	0,5844	550	-	198	55,5	58,5	0,6531	560		-	203		56	59	0,6669	600	-	223	59	62			0,7219	1100 x	630	-	238	60,5	63,5				0,7631	BF		M4	650	3				248					62		65	0,7906	700	28			273	65,5				68,5	0,8594	710	33	278	66	69	0,8731	750	53				298	68,5	71,5	0,9281	800	78				323	71,5	74,5	0,9969																																																																																																																																																																																																																																													
550	-	198	42,5	45,5	0,4631	560	-	203	43			46	0,4729	600	-	223	45	48	0,5119	1100 x			630	-	238	47	50		0,5411	BF	M3			630	-		238			47	50		0,5411	BFN	M2			650	3	248					48	51		0,5606			700			28	273			51	54		0,6094	710	33	278					51	54		0,6191	750	53	298					53	56		0,6581	800	78	323					55,5	58,5		0,7069	180	-	13					28	29,5		0,1129	BF	M1	200							-				23							29	30,5	0,1344	225				-	36	30,5	32					0,1613	250				-	48	32	33,5						0,1881	280			-	63			34	35,5				0,2204	300					-	73	35	36,5		0,2419		180	-			13		31	32,5		0,1286	BF	M2	200	-								23	32,5	34	0,1531		225	-					36	34	35,5	0,1838	250	-	48	35,5			37	0,2144			280	-	63	37,5	39					0,2511	300	-	73			39	40,5	0,2756			315	-	80,5	40			41,5	0,2940	355	-	100,5	42,5	45,5	0,3430	400	-	123	45,5			48,5	0,3981	450	-	148	49	52	0,4594	500	-	173			47,5	50,5	0,5206	550	-	198	50,5	53,5	0,5819	560			-	203	51,5	54,5			0,5941	600	-	223			54	57			0,6431	1400 x	630	-		238	55,5		58,5		0,7631	BF	M3	650	3	248	56,5		59,5			0,7906	700	28	273		60				63	0,7656	710					33		278	60	63	0,7779	750	53			298	62,5		65,5	0,8269	800	78	323	65,5	68,5	0,8881				180	-	13	34	35,5	0,1444	BF	M4				200	-	23			35,5				37	0,1719			225	-						36			37,5	39	0,2063	250	-						48	39,5	41	0,2406				280	-	63	41,5			43	0,2819	300	-	73	43						44,5	0,3094	315	-	80,5	44	47	0,3300						355	-	100,5	47	50	0,3850					400	-	123	50	53	0,4469	450	-	148			53,5	56,5	0,5156	500	-	173	52	55	0,5844			550	-	198	55,5	58,5	0,6531	560	-	203	56	59	0,6669	600		-	223		59	62	0,7219	1100 x	630	-	238	60,5			63,5		0,7631	BF	M4	650	3				248				62	65		0,7906	700	28					273		65,5	68,5	0,8594	710			33	278				66	69	0,8731	750	53	298	68,5	71,5	0,9281	800				78	323	71,5	74,5	0,9969																																																																																																																																																																																																																																																					
560	-	203	43	46	0,4729	600	-	223	45			48	0,5119	1100 x	630	-	238	47	50				0,5411	BF	M3	630	-		238			47	50	0,5411	BFN		M2			650	3		248					48	51	0,5606					700	28		273			51			54	0,6094			710	33		278	51	54	0,6191					750	53		298	53	56	0,6581					800	78		323	55,5	58,5	0,7069					180	-		13	28	29,5	0,1129					BF	M1		200			-							23				29							30,5	0,1344	225	-				36	30,5	32	0,1613					250	-				48	32	33,5	0,1881						280	-			63	34			35,5	0,2204	300			-	73			35	36,5	0,2419	180	-	13		31		32,5	0,1286			BF	M2	200	-	23	32,5			34	0,1531								225	-	36	34		35,5	0,1838					250	-	48	35,5	37	0,2144	280	-			63	37,5			39	0,2511	300	-	73					39	40,5	0,2756	315			-	80,5	40			41,5	0,2940	355	-	100,5	42,5	45,5	0,3430	400	-	123	45,5	48,5	0,3981	450	-	148	49			52	0,4594	500	-	173	47,5	50,5	0,5206	550	-	198			50,5	53,5	0,5819	560	-	203	51,5	54,5	0,5941	600			-	223	54	57			0,6431	1400 x	630	-			238	55,5			58,5		0,7631	BF	M3	650	3	248	56,5		59,5			0,7906	700	28	273		60			63	0,7656	710	33		278				60	63	0,7779					750		53	298	62,5	65,5	0,8269	800			78	323		65,5	68,5	0,8881	180	-	13	34	35,5				0,1444	BF	M4	200	-	23						35,5	37	0,1719			225				-	36			37,5	39						0,2063			250	-	48	39,5	41						0,2406	280	-	63				41,5	43	0,2819	300			-	73	43	44,5	0,3094	315						-	80,5	44	47	0,3300	355	-	100,5			47			50	0,3850	400	-	123	50	53	0,4469			450	-	148	53,5	56,5	0,5156	500	-	173			52	55	0,5844	550	-	198	55,5	58,5	0,6531			560	-	203	56	59	0,6669	600	-	223	59	62	0,7219	1100 x		630	-		238	60,5	63,5		0,7631	BF	M4	650			3		248			62	65		0,7906	700	28				273	65,5		68,5	0,8594	710					33		278	66	69	0,8731			750	53				298	68,5	71,5	0,9281	800	78	323	71,5	74,5	0,9969																																																																																																																																																																																																																																																													
600	-	223	45	48	0,5119	1100 x	630	-	238			47	50		0,5411	BF	M3	630	-		238	47	50			0,5411	BFN		M2			650	3	248						48	51		0,5606					700	28	273					51	54		0,6094			710			33	278			51	54		0,6191	750	53	298					53	56		0,6581	800	78	323					55,5	58,5		0,7069	180	-	13					28	29,5		0,1129	BF	M1	200								-			23							29				30,5							0,1344	225	-	36				30,5	32	0,1613	250					-	48				32	33,5	0,1881	280					-	63	34			35,5	0,2204	300	-	73	35	36,5			0,2419	180			-	13	31	32,5	0,1286	BF	M2	200	-	23	32,5					34	0,1531	225	-			36	34								35,5	0,1838	250	-		48	35,5					37	0,2144	280	-	63	37,5	39	0,2511			300	-			73	39	40,5	0,2756	315					-	80,5	40	41,5	0,2940	355	-	100,5	42,5			45,5	0,3430	400	-	123	45,5	48,5	0,3981	450	-	148	49	52	0,4594	500	-	173	47,5			50,5	0,5206	550	-	198	50,5	53,5	0,5819	560	-	203			51,5	54,5	0,5941	600	-	223	54	57	0,6431	1400 x			630	-	238	55,5			58,5		0,7631	BF			M3	650	3	248	56,5		59,5			0,7906	700	28	273		60			63	0,7656	710	33		278			60	63	0,7779	750		53				298	62,5	65,5					0,8269		800	78	323	65,5	68,5	0,8881			180	-		13	34	35,5	0,1444	BF	M4	200	-				23			35,5	37	0,1719						225	-	36			37,5				39	0,2063			250	-						48			39,5	41	0,2406	280	-						63	41,5	43	0,2819				300	-	73	43			44,5	0,3094	315	-	80,5	44			47			0,3300	355	-	100,5	47	50	0,3850	400	-	123	50			53	0,4469	450	-	148	53,5	56,5	0,5156			500	-	173	52	55	0,5844	550	-	198			55,5	58,5	0,6531	560	-	203	56	59	0,6669			600	-	223	59	62	0,7219	1100 x	630	-	238	60,5	63,5			0,7631	BF		M4	650	3		248			62	65	0,7906	700		28			273	65,5		68,5	0,8594	710				33	278		66	69	0,8731					750		53	298	68,5	71,5			0,9281	800				78	323	71,5	74,5	0,9969																																																																																																																																																																																																																																																																		
1100 x	630	-	238	47	50		0,5411	BF	M3	630	-	238	47		50			0,5411	BFN		M2																																																																																																																																																																																																																																																																																																																																																																																																																																																																																																																																																																																																																																																																																																																																																																																																																													
	650	3	248	48	51		0,5606			700	28	273	51		54			0,6094				710	33			278						51	54	0,6191						750	53		298					53	56	0,6581					800	78		323			55,5			58,5	0,7069			180	-		13	28	29,5	0,1129					BF	M1		200	-	23	29					30,5	0,1344		225	-	36	30,5					32	0,1613		250			-								48			32							33,5				0,1881							280	-	63	34	35,5			0,2204	300	-	73			35	36,5	0,2419	180	-			13	31	32,5	0,1286	BF	M2	200	-	23	32,5	34			0,1531	225	-	36	34	35,5	0,1838	250	-	48	35,5			37	0,2144	280	-	63			37,5	39	0,2511	300					-	73	39	40,5			0,2756	315								-	80,5	40	41,5		0,2940	355					-	100,5	42,5	45,5	0,3430	400	-	123	45,5	48,5	0,3981	450			-	148	49	52	0,4594	500	-			173	47,5	50,5	0,5206	550	-	198	50,5	53,5			0,5819	560	-	203	51,5	54,5	0,5941	600	-	223	54	57	0,6431	1400 x	630	-	238	55,5			58,5	0,7631	BF	M3	650	3	248	56,5	59,5	0,7906	700			28	273	60	63	0,7656	710	33	278	60				63	0,7779	750	53	298	62,5	65,5		0,8269		800	78		323	65,5	68,5	0,8881		180			-	13	34	35,5		0,1444			BF	M4	200	-		23			35,5	37	0,1719	225		-				36	37,5	39					0,2063		250	-	48	39,5	41	0,2406			280	-		63	41,5	43	0,2819			300	-				73			43	44,5	0,3094						315	-	80,5			44				47	0,3300			355	-						100,5			47	50	0,3850	400	-			123			50	53	0,4469	450	-	148	53,5	56,5	0,5156	500	-			173	52	55	0,5844	550	-	198	55,5	58,5			0,6531	560	-	203	56	59	0,6669	600	-	223	59			62	0,7219	1100 x	630	-	238	60,5	63,5			0,7631	BF	M4	650	3	248	62	65	0,7906			700	28	273	65,5	68,5	0,8594	710	33	278	66	69	0,8731	750	53	298	68,5	71,5		0,9281	800	78	323	71,5		74,5	0,9969																																																																																																																																																																																																																																																																																																																								
	700	28	273	51	54		0,6094			710	33	278	51		54			0,6191				750	53			298						53	56	0,6581						800	78		323					55,5	58,5	0,7069					180	-		13			28			29,5	0,1129			BF	M1		200	-	23	29								30,5	0,1344	225	-					36	30,5		32	0,1613	250	-					48	32		33,5			0,1881								280			-							63	34			35,5					0,2204	300	-	73	35	36,5	0,2419			180	-	13	31	32,5	0,1286	BF	M2	200	-	23			32,5	34	0,1531	225			-	36	34	35,5	0,1838			250	-	48	35,5	37	0,2144	280	-	63	37,5	39			0,2511	300	-	73	39			40,5	0,2756	315	-					80,5	40	41,5	0,2940			355	-								100,5	42,5	45,5	0,3430		400	-	123	45,5			48,5	0,3981	450	-	148	49	52	0,4594	500	-	173	47,5			50,5	0,5206	550	-	198	50,5	53,5			0,5819	560	-	203	51,5	54,5	0,5941	600	-			223	54	57	0,6431	1400 x	630	-	238	55,5	58,5	0,7631	BF	M3		650	3	248	56,5			59,5	0,7906			700	28	273	60	63	0,7656	710			33	278	60	63	0,7779	750	53	298	62,5		65,5	0,8269	800	78	323	65,5	68,5	0,8881	180		-		13	34		35,5	0,1444	BF	M4		200			-	23	35,5	37		0,1719					225	-		36			37,5	39	0,2063	250		-				48	39,5	41					0,2406		280	-	63	41,5	43	0,2819			300	-		73	43	44,5	0,3094			315	-				80,5			44	47	0,3300						355	-	100,5			47				50	0,3850			400	-			123			50			53	0,4469	450	-	148	53,5	56,5	0,5156			500	-	173	52	55	0,5844	550	-	198	55,5	58,5			0,6531	560	-	203	56	59	0,6669	600	-			223	59	62	0,7219	1100 x	630	-	238	60,5	63,5	0,7631			BF	M4		650	3	248	62	65			0,7906			700	28	273	65,5	68,5	0,8594	710	33	278	66	69	0,8731	750	53	298	68,5	71,5	0,9281	800	78	323	71,5	74,5	0,9969																																																																																																																																																																																																																																																																																																																																		
	710	33	278	51	54		0,6191			750	53	298	53		56			0,6581				800	78			323						55,5	58,5	0,7069						180	-		13					28	29,5	0,1129					BF	M1		200			-			23	29						30,5	0,1344	225	-								36	30,5	32	0,1613					250	-		48	32	33,5	0,1881					280	-		63			34							35,5	0,2204			300			-	73			35	36,5			0,2419			180	-	13	31	32,5	0,1286	BF	M2	200			-	23	32,5	34	0,1531	225			-	36	34			35,5	0,1838	250	-			48	35,5	37	0,2144	280			-	63	37,5	39	0,2511	300	-	73	39	40,5	0,2756			315	-	80,5	40	41,5			0,2940	355	-	100,5					42,5	45,5	0,3430	400			-	123		45,5	48,5					0,3981	450	-	148		49	52	0,4594	500			-	173	47,5	50,5	0,5206	550	-	198	50,5	53,5	0,5819	560			-	203	51,5	54,5	0,5941	600	-			223	54	57	0,6431	1400 x	630	-	238	55,5			58,5	0,7631	BF	M3		650	3	248	56,5	59,5	0,7906				700	28	273	60			63	0,7656			710	33	278	60	63	0,7779	750	53	298	62,5	65,5	0,8269	800	78	323	65,5	68,5	0,8881		180	-	13	34	35,5	0,1444	BF	M4	200		-		23	35,5		37	0,1719				225			-	36	37,5	39		0,2063					250	-		48			39,5	41	0,2406	280		-				63	41,5	43					0,2819		300	-	73	43	44,5	0,3094			315	-		80,5	44	47	0,3300			355	-				100,5			47	50	0,3850						400	-	123			50			53	0,4469	450			-	148	53,5	56,5	0,5156			500			-	173	52	55	0,5844	550	-	198			55,5	58,5	0,6531	560	-	203	56	59	0,6669	600	-			223	59	62	0,7219	1100 x	630	-	238	60,5			63,5	0,7631	BF	M4		650	3	248	62	65	0,7906						700	28	273	65,5	68,5	0,8594	710	33			278	66	69	0,8731	750	53	298	68,5	71,5	0,9281	800	78	323	71,5	74,5	0,9969																																																																																																																																																																																																																																																																																																																																										
	750	53	298	53	56		0,6581			800	78	323	55,5		58,5			0,7069				180	-			13						28	29,5	0,1129						BF	M1		200					-	23	29								30,5			0,1344			225	-						36	30,5	32	0,1613								250	-	48	32					33,5	0,1881		280	-	63	34					35,5	0,2204	300	-			73			35	36,5			0,2419	180			-	13	31	32,5	0,1286			BF	M2			200			-	23	32,5	34	0,1531	225			-			36	34	35,5	0,1838	250	-			48	35,5	37			0,2144	280	-	63			37,5	39	0,2511	300	-			73	39	40,5	0,2756	315	-	80,5	40	41,5	0,2940	355			-	100,5	42,5	45,5	0,3430			400	-	123	45,5	48,5	0,3981			450	-	148	49			52	0,4594		500	-					173	47,5	50,5	0,5206		550	-	198	50,5			53,5	0,5819	560	-	203	51,5	54,5	0,5941	600	-	223	54			57	0,6431	1400 x	630	-	238	55,5			58,5	0,7631	BF	M3		650	3	248	56,5			59,5	0,7906				700	28	273	60	63	0,7656				710	33	278	60	63	0,7779	750	53			298	62,5	65,5	0,8269	800	78	323	65,5	68,5	0,8881	180	-	13	34	35,5	0,1444	BF	M4		200	-	23	35,5	37	0,1719			225		-		36	37,5		39	0,2063				250			-	48	39,5	41		0,2406					280	-		63			41,5	43	0,2819	300		-				73	43	44,5					0,3094		315	-	80,5	44	47	0,3300			355	-		100,5	47	50	0,3850			400	-				123			50	53	0,4469					450	-	148	53,5			56,5	0,5156	500	-	173	52			55	0,5844	550	-	198			55,5			58,5	0,6531	560	-	203	56	59	0,6669			600	-	223	59	62	0,7219	1100 x	630	-	238	60,5			63,5	0,7631	BF	M4		650	3	248	62			65	0,7906				700	28	273	65,5	68,5	0,8594	710	33				278	66	69	0,8731	750	53	298	68,5			71,5	0,9281	800	78	323	71,5	74,5	0,9969																																																																																																																																																																																																																																																																																																																																																		
	800	78	323	55,5	58,5		0,7069			180	-	13	28		29,5			0,1129				BF	M1			200						-	23	29									30,5					0,1344	225	-								36			30,5			32	0,1613						250	-	48	32								33,5	0,1881	280	-					63	34	35,5	0,2204	300	-	73			35	36,5	0,2419	180	-	13			31	32,5	0,1286	BF	M2			200	-			23	32,5	34	0,1531	225							-			36	34	35,5	0,1838	250	-			48			35,5	37	0,2144	280	-	63			37,5	39	0,2511			300	-	73	39			40,5	0,2756	315	-	80,5			40	41,5	0,2940	355	-	100,5	42,5	45,5	0,3430	400	-	123	45,5	48,5	0,3981	450	-	148			49	52	0,4594	500	-	173			47,5	50,5	0,5206	550			-	198		50,5	53,5					0,5819	560	-	203		51,5	54,5	0,5941	600			-	223	54	57	0,6431	1400 x	630	-	238	55,5	58,5	0,7631			BF	M3		650	3	248	56,5			59,5	0,7906				700	28	273	60	63	0,7656	710	33				278	60	63	0,7779	750	53				298	62,5	65,5	0,8269	800	78	323	65,5			68,5	0,8881	180	-	13	34	35,5	0,1444	BF	M4	200	-	23	35,5	37	0,1719				225	-	36	37,5	39	0,2063			250		-		48	39,5		41	0,2406				280			-	63	41,5	43		0,2819					300	-		73			43	44,5	0,3094	315		-				80,5	44	47					0,3300		355	-	100,5	47	50	0,3850			400	-		123	50	53	0,4469			450	-			148	53,5			56,5	0,5156	500			-	173	52	55	0,5844	550			-	198	55,5	58,5	0,6531	560			-	203	56	59	0,6669			600			-	223	59	62	0,7219	1100 x	630	-			238	60,5	63,5	0,7631	BF	M4		650	3	248	62			65	0,7906				700	28	273	65,5	68,5	0,8594	710	33				278	66	69	0,8731	750	53	298	68,5				71,5	0,9281	800	78	323	71,5	74,5	0,9969																																																																																																																																																																																																																																																																																																																																																												
	180	-	13	28	29,5		0,1129			BF	M1	200	-		23			29								30,5						0,1344	225	-									36					30,5	32	0,1613								250			-			48	32						33,5	0,1881	280	-							63	34	35,5	0,2204	300			-	73	35	36,5	0,2419	180	-	13	31	32,5	0,1286	BF	M2	200	-	23	32,5			34	0,1531	225					-	36			34	35,5	0,1838	250	-							48			35,5	37	0,2144	280	-	63			37,5			39	0,2511	300	-	73	39			40,5	0,2756	315			-	80,5	40	41,5			0,2940	355	-	100,5	42,5	45,5	0,3430	400	-	123	45,5	48,5	0,3981	450	-	148	49	52	0,4594	500	-	173	47,5	50,5	0,5206			550	-	198	50,5	53,5	0,5819			560	-	203	51,5			54,5	0,5941		600	-					223	54	57	0,6431		1400 x	630	-	238			55,5	58,5	0,7631	BF	M3		650	3	248	56,5	59,5	0,7906						700	28	273	60	63	0,7656	710	33				278	60	63	0,7779	750	53	298	62,5				65,5	0,8269	800	78	323	65,5				68,5	0,8881	180	-	13	34	35,5	0,1444			BF	M4	200	-	23	35,5	37	0,1719			225	-	36	37,5	39	0,2063				250	-	48	39,5	41	0,2406			280		-		63	41,5		43	0,2819				300			-	73	43	44,5		0,3094					315	-		80,5			44	47	0,3300	355		-				100,5	47	50					0,3850		400	-	123	50	53	0,4469			450	-	148	53,5	56,5	0,5156	500			-	173	52	55	0,5844	550			-	198	55,5			58,5	0,6531	560	-	203	56			59	0,6669	600	-	223	59			62	0,7219	1100 x	630	-			238			60,5	63,5	0,7631	BF	M4		650	3			248	62	65	0,7906				700	28	273	65,5	68,5	0,8594	710	33				278	66	69	0,8731	750	53	298	68,5				71,5	0,9281	800	78	323	71,5	74,5	0,9969																																																																																																																																																																																																																																																																																																																																																																							
	200	-	23	29	30,5		0,1344					225	-		36			30,5								32						0,1613	250	-									48					32	33,5	0,1881								280			-			63	34					35,5	0,2204	300	-	73			35	36,5			0,2419	180	-	13	31	32,5	0,1286	BF	M2	200	-	23	32,5	34	0,1531	225	-	36			34	35,5	0,1838	250			-	48	35,5					37	0,2144			280	-	63	37,5	39							0,2511			300	-	73	39	40,5	0,2756			315			-	80,5	40	41,5	0,2940	355			-	100,5	42,5	45,5	0,3430	400	-	123	45,5			48,5	0,3981	450	-	148	49	52	0,4594	500	-	173	47,5	50,5	0,5206	550	-	198	50,5	53,5	0,5819	560	-	203	51,5	54,5			0,5941	600	-	223	54	57			0,6431	1400 x	630	-			238	55,5		58,5	0,7631					BF	M3	650	3			248	56,5	59,5			0,7906	700	28				273	60	63	0,7656	710	33	278	60				63	0,7779	750	53	298	62,5	65,5	0,8269				800	78	323	65,5	68,5	0,8881	180	-				13	34	35,5	0,1444	BF	M4				200	-	23	35,5	37	0,1719	225	-					36	37,5	39	0,2063	250	-			48	39,5	41	0,2406	280	-				63	41,5	43	0,2819	300	-			73		43		44,5	0,3094		315	-				80,5			44	47	0,3300	355		-					100,5	47		50			0,3850	400	-	123		50				53	0,4469	450					-	148	53,5	56,5	0,5156	500	-	173	52	55	0,5844	550	-	198	55,5	58,5	0,6531			560	-	203	56	59	0,6669			600	-	223			59	62	0,7219	1100 x	630	-			238	60,5	63,5	0,7631	BF	M4			650	3		248	62			65			0,7906	700	28				273	65,5	68,5	0,8594	710	33	278	66				69	0,8731	750	53	298	68,5	71,5	0,9281				800	78	323	71,5	74,5	0,9969																																																																																																																																																																																																																																																																																																																																																																																				
	225	-	36	30,5	32		0,1613					250	-		48			32								33,5						0,1881	280	-									63					34	35,5	0,2204							300	-			73			35	36,5	0,2419	180			-	13	31	32,5	0,1286	BF	M2	200	-			23	32,5	34	0,1531	225	-	36			34	35,5	0,1838	250	-	48	35,5	37	0,2144			280	-	63	37,5			39	0,2511	300					-	73			39	40,5	0,2756	315	-							80,5			40	41,5	0,2940	355	-	100,5			42,5	45,5	0,3430	400	-	123	45,5	48,5	0,3981			450	-	148	49	52	0,4594	500	-	173			47,5	50,5	0,5206	550	-	198	50,5	53,5	0,5819	560	-	203	51,5	54,5	0,5941	600	-	223	54	57	0,6431	1400 x	630	-	238			55,5	58,5	0,7631	BF	M3	650			3		248	56,5			59,5	0,7906		700	28							273	60			63	0,7656	710	33	278	60	63	0,7779				750	53	298	62,5	65,5	0,8269	800	78				323	65,5	68,5	0,8881	180	-	13	34				35,5	0,1444	BF	M4	200	-	23	35,5				37	0,1719	225	-						36	37,5	39	0,2063	250	-	48	39,5					41	0,2406	280	-	63	41,5			43	0,2819	300	-	73	43				44,5	0,3094	315	-	80,5	44			47		0,3300		355	-		100,5	47				50			0,3850	400	-	123		50					53	0,4469		450			-	148	53,5	56,5		0,5156	500			-	173	52		55	0,5844		550	-	198	55,5	58,5	0,6531	560	-	203	56	59	0,6669	600	-	223	59	62			0,7219	1100 x	630	-	238	60,5			63,5	0,7631	BF			M4	650	3		248	62			65	0,7906	700	28					273	65,5		68,5	0,8594	710	33	278			66	69	0,8731				750	53	298	68,5	71,5	0,9281	800	78				323	71,5	74,5	0,9969																																																																																																																																																																																																																																																																																																																																																																																																	
	250	-	48	32	33,5		0,1881					280	-		63			34								35,5						0,2204	300	-								73	35					36,5	0,2419	180	-	13					31	32,5			0,1286	BF	M2	200	-	23	32,5			34	0,1531	225	-	36			34	35,5			0,1838	250	-	48	35,5	37	0,2144			280	-	63	37,5	39	0,2511	300	-	73			39	40,5	0,2756	315			-	80,5	40					41,5	0,2940			355	-	100,5	42,5	45,5							0,3430	400	-	123	45,5	48,5	0,3981	450	-			148	49	52	0,4594	500	-	173	47,5	50,5			0,5206	550	-	198	50,5	53,5	0,5819	560	-			203	51,5	54,5	0,5941	600	-	223	54	57	0,6431	1400 x	630	-	238	55,5	58,5	0,7631	BF	M3	650	3		248	56,5	59,5			0,7906	700	28			273			60		63	0,7656			710	33		278	60			63	0,7779			750	53			298	62,5	65,5	0,8269	800	78	323	65,5				68,5	0,8881	180	-	13	34	35,5	0,1444				BF	M4	200	-	23	35,5	37	0,1719				225	-			36	37,5	39	0,2063				250	-	48	39,5						41	0,2406	280	-	63	41,5	43	0,2819					300	-	73	43	44,5	0,3094			315	-	80,5	44	47	0,3300				355	-	100,5	47	50	0,3850			400		-		123	50		53	0,4469				450			-	148	53,5	56,5		0,5156					500	-		173			52	55	0,5844	550	-	198	55,5			58,5	0,6531	560	-	203	56	59	0,6669	600	-	223	59	62	0,7219	1100 x	630	-	238	60,5	63,5	0,7631	BF	M4	650			3		248	62	65	0,7906			700	28					273	65,5		68,5	0,8594			710	33	278	66					69	0,8731		750	53	298	68,5	71,5	0,9281	800	78	323	71,5				74,5	0,9969																																																																																																																																																																																																																																																																																																																																																																																																														
	280	-	63	34	35,5		0,2204					300	-		73			35								36,5						0,2419	180	-		13						31	32,5			0,1286	BF	M2	200	-	23	32,5					34	0,1531	225	-	36			34	35,5	0,1838	250			-	48	35,5	37	0,2144			280	-			63	37,5	39	0,2511	300	-	73			39	40,5	0,2756	315	-	80,5	40	41,5	0,2940			355	-	100,5	42,5			45,5	0,3430	400					-	123			45,5	48,5	0,3981	450	-					148	49	52	0,4594	500	-	173	47,5	50,5	0,5206	550			-	198	50,5	53,5	0,5819	560	-	203	51,5			54,5	0,5941	600	-	223	54	57	0,6431	1400 x			630	-	238	55,5	58,5	0,7631	BF	M3	650	3		248	56,5	59,5	0,7906	700	28			273	60		63	0,7656	710			33	278	60			63			0,7779		750	53			298	62,5		65,5	0,8269		800	78	323			65,5	68,5	0,8881		180	-	13	34	35,5	0,1444	BF	M4				200	-	23	35,5	37	0,1719	225	-						36	37,5	39	0,2063	250	-				48	39,5			41	0,2406	280	-				63	41,5	43	0,2819						300	-	73	43	44,5	0,3094	315	-					80,5	44	47	0,3300	355	-			100,5	47	50	0,3850	400	-				123	50	53	0,4469	450	-			148		53,5		56,5	0,5156		500	-				173			52	55	0,5844	550		-					198	55,5	58,5	0,6531			560	-	203	56	59	0,6669	600	-	223	59	62	0,7219	1100 x	630	-	238	60,5	63,5	0,7631	BF	M4	650	3		248	62	65	0,7906	700	28			273			65,5		68,5	0,8594	710	33			278	66					69	0,8731		750	53			298	68,5	71,5	0,9281			800	78	323	71,5		74,5	0,9969																																																																																																																																																																																																																																																																																																																																																																																																																											
	300	-	73	35	36,5		0,2419					180	-		13			31								32,5		0,1286				BF	M2	200		-		23	32,5			34	0,1531			225			-	36	34	35,5	0,1838	250			-	48	35,5	37	0,2144			280	-	63	37,5			39	0,2511	300	-	73			39	40,5			0,2756	315	-	80,5	40	41,5	0,2940			355	-	100,5	42,5	45,5	0,3430	400	-	123			45,5	48,5	0,3981	450			-	148	49					52	0,4594			500	-	173	47,5	50,5	0,5206	550			-	198	50,5	53,5	0,5819	560	-	203	51,5	54,5	0,5941			600	-	223	54	57	0,6431	1400 x	630	-			238	55,5	58,5	0,7631	BF	M3	650	3				248	56,5	59,5	0,7906	700	28			273	60		63	0,7656	710	33	278	60			63	0,7779		750	53	298			62,5	65,5	0,8269			800			78		323	65,5			68,5	0,8881	180	-	13	34	35,5	0,1444	BF			M4	200	-		23	35,5	37	0,1719	225	-						36	37,5	39	0,2063	250	-	48	39,5						41	0,2406	280	-	63	41,5				43	0,2819			300	-	73	43				44,5	0,3094	315	-						80,5	44	47	0,3300	355	-	100,5	47					50	0,3850	400	-	123	50			53	0,4469	450	-	148	53,5				56,5	0,5156	500	-	173	52			55		0,5844		550	-		198	55,5				58,5			0,6531	560	-	203	56	59					0,6669	600	-	223	59	62	0,7219	1100 x	630	-	238	60,5	63,5	0,7631	BF	M4	650	3		248	62	65	0,7906	700	28			273	65,5		68,5	0,8594	710	33	278	66			69			0,8731		750	53	298	68,5			71,5	0,9281					800	78		323	71,5	74,5	0,9969																																																																																																																																																																																																																																																																																																																																																																																																																																								
	180	-	13	31	32,5		0,1286					BF	M2		200			-		23						32,5		34		0,1531	225			-		36		34	35,5			0,1838	250	-	48	35,5			37	0,2144	280	-	63	37,5			39	0,2511	300	-	73			39	40,5	0,2756	315			-	80,5	40	41,5	0,2940			355	-			100,5	42,5	45,5	0,3430	400	-	123			45,5	48,5	0,3981	450	-	148	49	52	0,4594			500	-	173	47,5			50,5	0,5206	550					-	198	50,5	53,5	0,5819	560	-	203	51,5	54,5	0,5941			600	-	223	54	57	0,6431	1400 x	630	-	238	55,5			58,5	0,7631	BF	M3	650	3		248	56,5			59,5	0,7906	700	28			273	60				63	0,7656	710	33	278	60			63	0,7779		750	53	298	62,5	65,5	0,8269			800	78		323	65,5	68,5			0,8881	180	-			13			34		35,5	0,1444	BF	M4	200	-	23	35,5	37	0,1719	225	-					36	37,5		39	0,2063	250	-	48	39,5						41	0,2406	280	-	63	41,5	43	0,2819						300	-	73	43	44,5	0,3094				315	-			80,5	44	47	0,3300				355	-	100,5	47						50	0,3850	400	-	123	50	53	0,4469					450	-	148	53,5	56,5	0,5156			500	-	173	52	55	0,5844				550	-	198	55,5	58,5	0,6531			560		-		203	56		59	0,6669			600	-			223	59	62	0,7219	1100 x	630	-	238			60,5	63,5	0,7631	BF	M4	650	3		248	62	65	0,7906	700	28			273	65,5		68,5	0,8594	710	33	278	66			69	0,8731		750	53	298	68,5	71,5	0,9281			800			78		323	71,5	74,5	0,9969																																																																																																																																																																																																																																																																																																																																																																																																																																																							
	200	-	23	32,5	34		0,1531							225	-			36		34				35,5	0,1838	250		-		48	35,5			37	0,2144	280	-	63	37,5			39	0,2511	300	-	73			39	40,5	0,2756	315	-	80,5			40	41,5	0,2940	355	-			100,5	42,5	45,5	0,3430			400	-	123	45,5	48,5			0,3981	450			-	148	49	52	0,4594	500	-			173	47,5	50,5	0,5206	550	-	198	50,5	53,5			0,5819	560	-	203			51,5	54,5	0,5941			600	-	223	54	57	0,6431	1400 x	630	-	238	55,5	58,5	0,7631			BF	M3	650	3	248	56,5		59,5	0,7906	700	28			273	60			63	0,7656		710	33			278	60	63	0,7779			750	53				298	62,5	65,5	0,8269	800	78			323	65,5		68,5	0,8881	180	-	13	34			35,5	0,1444		BF	M4	200			-	23	35,5			37	0,1719	225	-		36	37,5			39	0,2063	250	-	48	39,5	41	0,2406					280	-		63	41,5	43	0,2819	300	-						73	43	44,5	0,3094	315	-	80,5	44						47	0,3300	355	-	100,5	47				50	0,3850			400	-	123	50				53	0,4469	450	-						148	53,5	56,5	0,5156	500	-	173	52					55	0,5844	550	-	198	55,5			58,5	0,6531	560	-	203	56				59	0,6669	600	-	223	59			62	0,7219	1100 x		630	-		238	60,5			63,5	0,7631	BF	M4	650	3	248	62		65	0,7906	700			28	273	65,5			68,5	0,8594		710	33	278	66	69	0,8731			750	53		298	68,5	71,5	0,9281	800	78			323	71,5		74,5	0,9969																																																																																																																																																																																																																																																																																																																																																																																																																																																																						
	225	-	36	34	35,5	0,1838	250							-	48	35,5	37	0,2144		280				-	63	37,5	39	0,2511	300	-	73			39	40,5	0,2756	315	-	80,5			40	41,5	0,2940	355	-			100,5	42,5	45,5	0,3430	400	-			123	45,5	48,5	0,3981	450			-	148	49	52			0,4594	500	-	173	47,5			50,5	0,5206			550	-	198	50,5	53,5	0,5819	560			-	203	51,5	54,5	0,5941	600	-	223	54			57	0,6431	1400 x	630	-	238	55,5	58,5	0,7631			BF	M3	650	3	248	56,5		59,5	0,7906	700	28	273	60					63	0,7656	710	33		278	60	63	0,7779			750	53			298	62,5		65,5	0,8269			800	78	323	65,5			68,5	0,8881				180	-	13	34	35,5	0,1444			BF	M4		200	-	23	35,5	37	0,1719			225	-				36	37,5	39	0,2063	250	-			48	39,5	41	0,2406		280	-			63	41,5	43	0,2819	300	-	73	43					44,5	0,3094		315	-	80,5	44	47	0,3300						355	-	100,5	47	50	0,3850	400	-						123	50	53	0,4469	450	-				148	53,5			56,5	0,5156	500	-				173	52	55	0,5844						550	-	198	55,5	58,5	0,6531	560	-					203	56	59	0,6669	600	-			223	59	62	0,7219	1100 x	630			-	238	60,5	63,5	0,7631	BF	M4			650	3		248	62	65	0,7906	700	28			273	65,5			68,5	0,8594	710	33		278	66	69			0,8731	750	53			298	68,5		71,5	0,9281	800	78	323	71,5			74,5	0,9969																																																																																																																																																																																																																																																																																																																																																																																																																																																																																				
250	-	48	35,5	37	0,2144	280	-	63	37,5					39	0,2511	300	-	73	39	40,5	0,2756			315	-	80,5	40	41,5	0,2940	355	-			100,5	42,5	45,5	0,3430	400	-			123	45,5	48,5	0,3981	450			-	148	49	52	0,4594	500			-	173	47,5	50,5	0,5206			550	-	198	50,5			53,5	0,5819	560	-	203			51,5	54,5			0,5941	600	-	223	54	57	0,6431			1400 x	630	-	238	55,5	58,5	0,7631	BF	M3			650	3		248	56,5	59,5	0,7906	700	28					273	60	63	0,7656		710	33	278	60	63	0,7779					750	53	298	62,5		65,5	0,8269	800	78			323	65,5			68,5	0,8881		180	-			13	34	35,5	0,1444			BF	M4				200	-	23	35,5	37	0,1719						225	-	36	37,5	39	0,2063			250	-				48	39,5	41	0,2406	280	-			63	41,5	43	0,2819		300	-			73	43	44,5	0,3094	315	-	80,5	44					47	0,3300		355	-	100,5	47	50	0,3850						400	-	123	50	53	0,4469	450	-						148	53,5	56,5	0,5156	500	-				173	52			55	0,5844	550	-				198	55,5	58,5	0,6531						560	-	203	56	59	0,6669	600	-					223	59	62	0,7219	1100 x	630			-	238	60,5	63,5		0,7631			BF	M4	650	3	248					62	65		0,7906	700	28	273	65,5	68,5			0,8594	710			33	278	66	69		0,8731	750	53			298	68,5	71,5			0,9281	800		78	323	71,5	74,5	0,9969																																																																																																																																																																																																																																																																																																																																																																																																																																																																																									
280	-	63	37,5	39	0,2511	300	-	73	39					40,5	0,2756	315	-	80,5	40	41,5	0,2940			355	-	100,5	42,5	45,5	0,3430	400	-			123	45,5	48,5	0,3981	450	-			148	49	52	0,4594	500			-	173	47,5	50,5	0,5206	550			-	198	50,5	53,5	0,5819			560	-	203	51,5			54,5	0,5941	600	-	223			54	57	0,6431	1400 x	630	-	238	55,5	58,5	0,7631	BF				M3	650	3	248	56,5	59,5					0,7906	700		28	273	60	63	0,7656	710					33	278	60	63		0,7779	750	53	298	62,5	65,5					0,8269	800	78	323		65,5	68,5	0,8881	180			-	13			34	35,5		0,1444	BF			M4	200	-	23						35,5	37	0,1719	225	-	36	37,5	39						0,2063	250	-	48	39,5	41			0,2406	280				-	63	41,5	43	0,2819	300			-	73	43	44,5		0,3094	315			-	80,5	44	47	0,3300	355	-	100,5					47	50		0,3850	400	-	123	50	53						0,4469	450	-	148	53,5	56,5	0,5156	500						-	173	52	55	0,5844	550				-	198			55,5	58,5	0,6531	560				-	203	56	59					0,6669	600	-	223	59	62	0,7219	1100 x	630	-	238			60,5	63,5	0,7631	BF		M4			650	3	248	62		65					0,7906	700	28					273	65,5		68,5	0,8594	710	33	278	66			69	0,8731			750	53	298	68,5		71,5	0,9281	800	78	323	71,5	74,5	0,9969																																																																																																																																																																																																																																																																																																																																																																																																																																																																																																			
300	-	73	39	40,5	0,2756	315	-	80,5	40					41,5	0,2940	355	-	100,5	42,5	45,5	0,3430			400	-	123	45,5	48,5	0,3981	450	-			148	49	52	0,4594	500	-			173	47,5	50,5	0,5206	550			-	198	50,5	53,5	0,5819	560			-	203	51,5	54,5	0,5941			600	-	223	54	57	0,6431	1400 x	630	-	238	55,5			58,5	0,7631	BF		M3	650	3	248	56,5	59,5						0,7906	700	28	273	60					63	0,7656		710	33	278	60	63	0,7779					750	53	298	62,5		65,5	0,8269	800	78	323	65,5					68,5	0,8881	180	-		13	34	35,5	0,1444			BF	M4			200	-		23		35,5	37		0,1719	225	-						36	37,5	39	0,2063	250	-	48	39,5						41	0,2406	280	-	63	41,5			43	0,2819				300	-	73	43	44,5	0,3094			315	-	80,5	44		47	0,3300			355	-	100,5	47	50	0,3850	400	-					123	50		53	0,4469	450	-	148	53,5						56,5	0,5156	500	-	173	52	55	0,5844						550	-	198	55,5	58,5	0,6531				560	-			203	56	59	0,6669			600	-	223	59	62			0,7219	1100 x	630	-	238	60,5	63,5	0,7631	BF		M4	650	3			248	62	65						0,7906	700	28	273		65,5					68,5	0,8594	710					33	278		66	69	0,8731	750	53	298	68,5	71,5	0,9281	800			78	323	71,5	74,5		0,9969																																																																																																																																																																																																																																																																																																																																																																																																																																																																																																										
315	-	80,5	40	41,5	0,2940	355	-	100,5	42,5					45,5	0,3430	400	-	123	45,5	48,5	0,3981			450	-	148	49	52	0,4594	500	-			173	47,5	50,5	0,5206	550	-			198	50,5	53,5	0,5819	560			-	203	51,5	54,5	0,5941	600	-	223	54	57	0,6431	1400 x	630			-	238	55,5	58,5	0,7631	BF		M3	650	3	248			56,5	59,5				0,7906	700	28	273	60						63	0,7656	710	33	278					60	63		0,7779	750	53	298	62,5	65,5					0,8269	800	78	323		65,5	68,5	0,8881	180	-	13					34	35,5	0,1444	BF		M4	200	-	23	35,5	37					0,1719	225		-		36	37,5		39	0,2063	250						-	48	39,5	41	0,2406	280	-	63						41,5	43	0,2819	300	-	73			43	44,5				0,3094	315	-	80,5	44	47			0,3300	355	-	100,5		47	50			0,3850	400	-	123	50	53	0,4469	450					-	148		53,5	56,5	0,5156	500	-	173						52	55	0,5844	550	-	198	55,5	58,5						0,6531	560	-	203	56	59			0,6669	600	-			223	59	62	0,7219	1100 x	630	-	238	60,5	63,5	0,7631			BF		M4	650	3	248	62	65				0,7906	700			28	273	65,5						68,5	0,8594	710	33		278					66	69	0,8731			750	53	298	68,5		71,5	0,9281	800	78	323	71,5	74,5	0,9969																																																																																																																																																																																																																																																																																																																																																																																																																																																																																																																				
355	-	100,5	42,5	45,5	0,3430	400	-	123	45,5					48,5	0,3981	450	-	148	49	52	0,4594			500	-	173	47,5	50,5	0,5206	550	-			198	50,5	53,5	0,5819	560	-	203	51,5	54,5	0,5941	600	-	223			54	57	0,6431	1400 x	630	-	238	55,5	58,5	0,7631	BF		M3			650	3	248	56,5	59,5				0,7906	700	28			273	60				63	0,7656	710	33	278						60	63	0,7779	750	53					298	62,5		65,5	0,8269	800	78	323	65,5					68,5	0,8881	180	-		13	34	35,5	0,1444	BF	M4	200	-			23	35,5	37				0,1719	225	-	36	37,5					39	0,2063		250		-	48		39,5	41	0,2406						280	-	63	41,5	43	0,2819	300	-						73	43	44,5	0,3094	315	-			80,5	44				47	0,3300	355	-	100,5	47			50	0,3850	400	-		123	50			53	0,4469	450	-	148	53,5	56,5	0,5156					500	-		173	52	55	0,5844	550	-						198	55,5	58,5	0,6531	560	-	203	56			59			0,6669	600	-	223	59	62	0,7219	1100 x	630	-	238			60,5	63,5	0,7631	BF		M4	650	3	248	62	65						0,7906	700	28	273	65,5				68,5	0,8594			710	33	278						66	69	0,8731	750		53	298	68,5			71,5	0,9281	800			78	323	71,5	74,5		0,9969																																																																																																																																																																																																																																																																																																																																																																																																																																																																																																																											
400	-	123	45,5	48,5	0,3981	450	-	148	49					52	0,4594	500	-	173	47,5	50,5	0,5206	550	-	198	50,5	53,5	0,5819	560	-	203	51,5			54,5	0,5941	600	-	223	54	57	0,6431	1400 x	630	-	238	55,5			58,5	0,7631	BF		M3	650	3	248	56,5	59,5						0,7906	700	28	273	60				63	0,7656	710			33	278				60	63	0,7779	750	53						298	62,5	65,5	0,8269	800					78	323		65,5	68,5	0,8881	180	-	13	34	35,5			0,1444	BF	M4	200		-	23	35,5	37			0,1719	225			-	36	37,5				39	0,2063	250	-	48					39,5	41		0,2406		280	-		63	41,5	43						0,2819	300	-	73	43	44,5	0,3094	315						-	80,5	44	47	0,3300	355			-	100,5				47	50	0,3850	400	-	123			50	53	0,4469	450		-	148			53,5	56,5	0,5156	500	-	173	52	55					0,5844	550		-	198	55,5	58,5	0,6531	560					-	203	56	59	0,6669	600	-	223	59	62	0,7219	1100 x			630	-	238	60,5	63,5	0,7631	BF		M4	650	3			248	62	65				0,7906	700	28	273	65,5						68,5	0,8594	710	33	278				66	69			0,8731	750	53				298	68,5	71,5	0,9281	800	78		323	71,5	74,5			0,9969																																																																																																																																																																																																																																																																																																																																																																																																																																																																																																																																					
450	-	148	49	52	0,4594	500	-	173	47,5	50,5	0,5206			550	-	198	50,5	53,5	0,5819	560	-	203	51,5	54,5	0,5941	600	-	223	54	57	0,6431			1400 x	630	-	238	55,5	58,5	0,7631	BF		M3	650	3	248			56,5	59,5				0,7906	700	28	273	60						63	0,7656	710	33	278				60	63	0,7779			750	53				298	62,5	65,5	0,8269	800						78	323	65,5	68,5	0,8881			180	-	13	34		35,5	0,1444	BF	M4	200	-	23	35,5			37			0,1719		225	-	36	37,5			39	0,2063			250	-	48				39,5	41	0,2406	280	-					63	41,5		43		0,2819	300		-	73	43						44,5	0,3094	315	-	80,5	44	47	0,3300						355	-	100,5	47	50	0,3850			400	-				123	50	53	0,4469	450	-			148	53,5	56,5	0,5156		500	-			173	52	55	0,5844	550	-	198	55,5					58,5	0,6531	560	-	203	56	59	0,6669	600			-	223	59	62	0,7219	1100 x	630	-	238	60,5	63,5	0,7631	BF				M4	650	3	248	62	65				0,7906	700			28	273	65,5				68,5	0,8594	710	33	278						66	69	0,8731	750	53				298	68,5	71,5	0,9281	800	78	323				71,5	74,5	0,9969																																																																																																																																																																																																																																																																																																																																																																																																																																																																																																																																															
500	-	173	47,5	50,5	0,5206	550	-	198	50,5	53,5	0,5819			560	-	203	51,5	54,5	0,5941	600	-	223	54	57	0,6431	1400 x	630	-	238	55,5	58,5				0,7631	BF	M3	650	3	248				56,5	59,5	0,7906			700	28				273	60	63	0,7656	710						33	278	60	63	0,7779				750	53	298			62,5	65,5				0,8269	800	78	323	65,5		68,5	0,8881			180	-	13	34	35,5			0,1444	BF	M4	200		-	23			35,5	37	0,1719	225			-			36		37,5	39	0,2063	250			-	48			39,5	41	0,2406				280	-	63	41,5	43					0,2819	300		-		73	43		44,5	0,3094	315						-	80,5	44	47	0,3300	355	-	100,5						47	50	0,3850	400	-	123			50	53				0,4469	450	-	148	53,5	56,5			0,5156	500	-	173	52	55	0,5844			550	-	198	55,5	58,5	0,6531	560	-		203	56		59	0,6669	600	-	223	59	62	0,7219	1100 x			630	-	238	60,5	63,5		0,7631	BF	M4	650	3	248						62	65	0,7906	700	28				273	65,5			68,5	0,8594	710				33	278	66	69	0,8731	750	53				298	68,5	71,5	0,9281	800				78	323	71,5	74,5	0,9969																																																																																																																																																																																																																																																																																																																																																																																																																																																																																																																																																							
550	-	198	50,5	53,5	0,5819	560	-	203	51,5	54,5	0,5941			600	-	223	54	57	0,6431	1400 x	630	-	238	55,5	58,5		0,7631	BF	M3	650	3				248			56,5	59,5	0,7906				700	28	273			60	63				0,7656	710	33	278	60						63	0,7779	750	53	298				62,5	65,5	0,8269	800	78	323	65,5				68,5	0,8881	180	-	13		34	35,5			0,1444	BF	M4	200	-			23			35,5		37	0,1719			225	-	36	37,5			39			0,2063		250	-	48	39,5			41	0,2406			280	-	63				41,5	43	0,2819	300	-					73	43		44,5		0,3094	315		-	80,5	44						47	0,3300	355	-	100,5	47	50	0,3850						400	-	123	50	53	0,4469			450	-	148			53,5	56,5	0,5156	500	-	173	52	55	0,5844	550	-	198	55,5	58,5	0,6531			560	-	203	56	59	0,6669	600	-		223	59		62	0,7219	1100 x	630	-	238	60,5	63,5				0,7631	BF	M4	650	3		248			62	65	0,7906						700	28	273	65,5	68,5				0,8594	710	33	278	66	69	0,8731				750	53	298	68,5	71,5	0,9281	800				78	323	71,5	74,5	0,9969																																																																																																																																																																																																																																																																																																																																																																																																																																																																																																																																																															
560	-	203	51,5	54,5	0,5941	600	-	223	54	57	0,6431			1400 x	630	-	238	55,5	58,5		0,7631	BF	M3	650	3		248			56,5	59,5				0,7906			700	28	273				60	63	0,7656			710	33				278	60	63	0,7779	750				53	298	62,5	65,5	0,8269	800	78				323	65,5	68,5	0,8881	180	-	13				34	35,5	0,1444	BF	M4		200	-			23			35,5	37			0,1719			225		-	36			37,5	39	0,2063	250			-			48		39,5	41	0,2406	280			-	63			41,5	43	0,2819				300	-	73	43	44,5					0,3094	315		-		80,5	44		47	0,3300	355						-	100,5	47	50	0,3850	400	-	123					50	53	0,4469	450	-	148	53,5	56,5	0,5156	500	-	173			52	55	0,5844	550	-	198	55,5	58,5	0,6531	560	-	203	56	59	0,6669			600	-	223	59	62	0,7219	1100 x	630		-	238		60,5	63,5		0,7631	BF	M4	650	3				248			62	65		0,7906			700	28	273			65,5	68,5		0,8594	710	33	278	66				69	0,8731	750	53	298	68,5	71,5				0,9281	800	78	323	71,5	74,5	0,9969																																																																																																																																																																																																																																																																																																																																																																																																																																																																																																																																																																							
600	-	223	54	57	0,6431	1400 x	630	-	238	55,5	58,5				0,7631	BF	M3	650	3		248			56,5	59,5		0,7906			700	28				273			60	63	0,7656				710	33	278	60	63	0,7779	750				53	298	62,5	65,5	0,8269				800	78	323	65,5	68,5	0,8881	180				-	13	34	35,5	0,1444	BF	M4				200	-	23				35,5	37			0,1719			225	-			36			37,5		39	0,2063			250	-	48	39,5			41			0,2406		280	-	63	41,5			43	0,2819			300	-	73				43	44,5	0,3094	315	-					80,5	44		47		0,3300	355		-	100,5	47					50	0,3850	400	-	123	50	53	0,4469	450	-	148			53,5	56,5	0,5156	500	-	173	52	55	0,5844	550	-	198			55,5	58,5	0,6531	560	-	203	56	59	0,6669	600	-	223	59	62	0,7219			1100 x	630	-	238	60,5	63,5		0,7631		BF	M4		650	3		248			62	65		0,7906	700	28			273	65,5		68,5			0,8594	710	33			278	66		69	0,8731	750	53	298				68,5	71,5	0,9281	800	78	323	71,5				74,5	0,9969																																																																																																																																																																																																																																																																																																																																																																																																																																																																																																																																																																												
1400 x	630	-	238	55,5	58,5		0,7631	BF	M3	650	3				248			56,5	59,5		0,7906			700	28		273			60	63	0,7656	710		33			278	60	63				0,7779	750	53	298	62,5	65,5	0,8269				800	78	323	65,5	68,5				0,8881	180	-	13	34	35,5	0,1444				BF	M4	200	-	23						35,5	37	0,1719				225	-			36			37,5	39			0,2063			250		-	48			39,5	41	0,2406	280			-			63		41,5	43	0,2819	300			-	73			43	44,5	0,3094				315	-	80,5	44	47					0,3300	355	-	100,5		47	50		0,3850	400	-	123	50			53	0,4469	450	-	148	53,5	56,5	0,5156	500	-	173			52	55	0,5844	550	-	198	55,5	58,5	0,6531	560	-	203			56	59	0,6669	600	-	223	59	62	0,7219	1100 x	630	-	238	60,5	63,5				0,7631	BF	M4	650	3		248	62			65	0,7906	700		28			273	65,5		68,5	0,8594	710			33	278		66			69	0,8731	750			53	298		68,5	71,5	0,9281	800	78				323	71,5	74,5	0,9969																																																																																																																																																																																																																																																																																																																																																																																																																																																																																																																																																																																				
	650	3	248	56,5	59,5		0,7906			700	28	273	60		63			0,7656	710		33			278	60		63			0,7779	750	53	298		62,5			65,5	0,8269	800				78	323	65,5	68,5	0,8881	180	-				13	34	35,5	0,1444	BF				M4	200	-	23	35,5	37	0,1719						225	-	36						37,5	39	0,2063				250	-			48			39,5	41			0,2406			280		-	63			41,5	43	0,2819	300			-			73		43	44,5	0,3094	315			-	80,5			44	47	0,3300		355		-	100,5	47	50	0,3850			400	-	123	50	53	0,4469		450	-		148	53,5	56,5	0,5156	500			-	173	52	55	0,5844	550	-	198	55,5	58,5	0,6531			560	-	203	56	59	0,6669	600	-	223	59	62	0,7219			1100 x	630	-	238	60,5	63,5	0,7631	BF	M4		650	3	248	62	65	0,7906	700		28			273	65,5		68,5	0,8594			710	33	278		66			69	0,8731		750	53	298			68,5	71,5		0,9281			800	78	323			71,5	74,5		0,9969																																																																																																																																																																																																																																																																																																																																																																																																																																																																																																																																																																																															
	700	28	273	60	63		0,7656			710	33	278	60		63			0,7779	750		53			298	62,5		65,5			0,8269	800	78	323		65,5			68,5	0,8881	180				-	13	34	35,5	0,1444	BF	M4				200	-	23	35,5						37	0,1719	225	-	36	37,5						39	0,2063	250						-	48	39,5				41	0,2406			280			-	63			41,5			43		0,2819	300			-	73	43	44,5			0,3094			315	-	80,5	44	47	0,3300			355	-	100,5	47	50	0,3850	400		-		123	50	53	0,4469	450			-	148	53,5	56,5	0,5156	500		-	173		52	55	0,5844	550	-			198	55,5	58,5	0,6531	560	-	203	56	59	0,6669	600			-	223	59	62	0,7219	1100 x	630	-	238	60,5	63,5	0,7631	BF	M4		650	3	248	62	65	0,7906				700	28	273	65,5	68,5	0,8594	710		33			278	66		69	0,8731			750	53	298		68,5			71,5	0,9281		800	78	323			71,5	74,5		0,9969																																																																																																																																																																																																																																																																																																																																																																																																																																																																																																																																																																																																										
	710	33	278	60	63		0,7779			750	53	298	62,5		65,5			0,8269	800		78			323	65,5		68,5			0,8881	180	-	13		34			35,5	0,1444	BF				M4	200	-	23	35,5						37	0,1719	225	-						36	37,5	39	0,2063	250	-						48	39,5	41						0,2406	280	-				63	41,5			43			0,2819	300			-			73	43	44,5	0,3094			315	-	80,5	44	47	0,3300	355			-	100,5	47	50	0,3850	400			-	123	50	53	0,4469	450	-		148		53,5	56,5	0,5156	500	-			173	52	55	0,5844	550	-		198	55,5		58,5	0,6531	560	-	203			56	59	0,6669	600	-	223	59	62	0,7219	1100 x	630	-	238	60,5	63,5	0,7631	BF	M4		650	3	248	62	65	0,7906				700	28	273	65,5	68,5	0,8594				710	33	278	66	69	0,8731	750		53			298	68,5		71,5	0,9281			800	78	323		71,5			74,5	0,9969																																																																																																																																																																																																																																																																																																																																																																																																																																																																																																																																																																																																																				
	750	53	298	62,5	65,5		0,8269			800	78	323	65,5		68,5			0,8881	180		-			13	34		35,5			0,1444	BF	M4	200		-			23	35,5						37	0,1719	225	-						36	37,5	39	0,2063						250	-	48	39,5	41	0,2406						280	-	63						41,5	43	0,2819				300	-	73		43			44,5	0,3094	315	-	80,5			44	47	0,3300	355			-	100,5	47	50	0,3850	400	-			123	50	53	0,4469	450	-			148	53,5	56,5	0,5156	500	-	173		52		55	0,5844	550	-	198			55,5	58,5	0,6531	560	-	203		56	59		0,6669	600	-	223	59	62	0,7219	1100 x	630	-	238	60,5	63,5	0,7631	BF	M4		650	3	248	62	65	0,7906				700	28	273	65,5	68,5	0,8594				710	33	278	66	69	0,8731				750	53	298	68,5	71,5	0,9281	800		78			323	71,5		74,5	0,9969																																																																																																																																																																																																																																																																																																																																																																																																																																																																																																																																																																																																																															
	800	78	323	65,5	68,5		0,8881			180	-	13	34		35,5			0,1444	BF		M4			200	-		23			35,5			37		0,1719			225	-						36	37,5	39	0,2063						250	-	48	39,5						41	0,2406	280	-	63	41,5						43	0,2819	300				-		73	43	44,5			0,3094	315	-	80,5	44	47			0,3300	355	-	100,5	47			50	0,3850	400	-			123	50	53	0,4469	450	-	148			53,5	56,5	0,5156	500	-	173			52	55	0,5844	550	-	198	55,5		58,5		0,6531	560	-	203	56			59	0,6669	600	-	223	59	62	0,7219	1100 x	630	-	238	60,5	63,5	0,7631	BF	M4		650	3	248	62	65	0,7906				700	28	273	65,5	68,5	0,8594				710	33	278	66	69	0,8731				750	53	298	68,5	71,5	0,9281				800	78	323	71,5	74,5	0,9969																																																																																																																																																																																																																																																																																																																																																																																																																																																																																																																																																																																																																																									
	180	-	13	34	35,5		0,1444			BF	M4	200	-		23			35,5						37	0,1719		225			-			36		37,5			39	0,2063						250	-	48	39,5						41	0,2406	280	-						63	41,5	43	0,2819	300	-		73				43	44,5	0,3094			315	-	80,5	44	47	0,3300			355	-	100,5	47	50	0,3850			400	-	123	50	53			0,4469	450	-	148			53,5	56,5	0,5156	500	-	173	52			55	0,5844	550	-	198	55,5			58,5	0,6531	560	-	203	56	59		0,6669		600	-	223	59	62	0,7219	1100 x	630	-	238	60,5	63,5	0,7631	BF	M4		650	3	248	62	65	0,7906				700	28	273	65,5	68,5	0,8594				710	33	278	66	69	0,8731				750	53	298	68,5	71,5	0,9281				800	78	323	71,5	74,5	0,9969																																																																																																																																																																																																																																																																																																																																																																																																																																																																																																																																																																																																																																																		
	200	-	23	35,5	37		0,1719					225	-		36			37,5						39	0,2063		250			-			48		39,5			41	0,2406						280	-	63	41,5						43	0,2819	300	-			73			43	44,5	0,3094	315	-	80,5	44	47	0,3300			355	-	100,5			47	50	0,3850	400	-	123			50	53	0,4469	450	-	148			53,5	56,5	0,5156	500	-			173	52	55	0,5844			550	-	198	55,5	58,5	0,6531	560			-	203	56	59	0,6669	600			-	223	59	62	0,7219	1100 x	630	-	238	60,5	63,5	0,7631	BF	M4	650	3		248	62	65	0,7906	700	28				273	65,5	68,5	0,8594	710	33				278	66	69	0,8731	750	53				298	68,5	71,5	0,9281	800	78				323	71,5	74,5	0,9969																																																																																																																																																																																																																																																																																																																																																																																																																																																																																																																																																																																																																																																													
	225	-	36	37,5	39		0,2063					250	-		48			39,5						41	0,2406		280			-			63		41,5			43	0,2819						300	-	73	43				44,5		0,3094	315	-	80,5		44	47	0,3300		355	-	100,5	47	50	0,3850	400	-	123			50	53	0,4469			450	-	148	53,5	56,5	0,5156			500	-	173	52	55	0,5844			550	-	198	55,5	58,5			0,6531	560	-	203			56	59	0,6669	600	-	223	59			62	0,7219	1100 x	630	-	238	60,5	63,5	0,7631	BF	M4	650	3		248	62	65	0,7906	700	28			273	65,5		68,5	0,8594	710	33	278	66				69	0,8731	750	53	298	68,5				71,5	0,9281	800	78	323	71,5				74,5	0,9969																																																																																																																																																																																																																																																																																																																																																																																																																																																																																																																																																																																																																																																																								
	250	-	48	39,5	41		0,2406					280	-		63			41,5						43	0,2819		300			-			73		43			44,5	0,3094			315			-	80,5	44	47			0,3300	355	-	100,5	47	50	0,3850		400	-	123		50	53	0,4469	450	-	148	53,5	56,5	0,5156			500	-	173			52	55	0,5844	550	-	198			55,5	58,5	0,6531	560	-	203			56	59	0,6669	600	-			223	59	62	0,7219			1100 x	630	-	238	60,5	63,5	0,7631	BF	M4	650	3		248	62	65	0,7906	700	28			273	65,5		68,5	0,8594	710	33	278	66			69	0,8731		750	53	298	68,5	71,5	0,9281				800	78	323	71,5	74,5	0,9969																																																																																																																																																																																																																																																																																																																																																																																																																																																																																																																																																																																																																																																																																						
	280	-	63	41,5	43		0,2819					300	-		73			43						44,5	0,3094		315			-			80,5	44	47			0,3300	355		-	100,5	47		50	0,3850	400	-			123	50	53	0,4469	450	-	148		53,5	56,5	0,5156		500	-	173	52	55	0,5844	550	-	198			55,5	58,5	0,6531			560	-	203	56	59	0,6669			600	-	223	59	62	0,7219			1100 x	630	-	238	60,5			63,5	0,7631	BF	M4	650	3		248	62	65	0,7906	700	28			273	65,5		68,5	0,8594	710	33	278	66			69	0,8731		750	53	298	68,5	71,5	0,9281			800	78		323	71,5	74,5	0,9969																																																																																																																																																																																																																																																																																																																																																																																																																																																																																																																																																																																																																																																																																																	
	300	-	73	43	44,5		0,3094					315	-		80,5			44						47	0,3300	355	-			100,5			47	50	0,3850	400	-	123	50		53	0,4469	450		-	148	53,5	56,5			0,5156	500	-	173	52	55	0,5844		550	-	198		55,5	58,5	0,6531	560	-	203	56	59	0,6669			600	-	223			59	62	0,7219	1100 x	630	-			238	60,5	63,5	0,7631	BF	M4				650	3	248	62	65	0,7906	700	28			273	65,5		68,5	0,8594	710	33	278	66			69	0,8731		750	53	298	68,5	71,5	0,9281			800	78		323	71,5	74,5	0,9969																																																																																																																																																																																																																																																																																																																																																																																																																																																																																																																																																																																																																																																																																																												
	315	-	80,5	44	47		0,3300					355	-		100,5			47		50				0,3850	400	-	123	50	53	0,4469			450	-	148	53,5	56,5	0,5156	500		-	173	52		55	0,5844	550	-			198	55,5	58,5	0,6531	560	-	203		56	59	0,6669		600	-	223	59	62	0,7219	1100 x	630	-			238	60,5	63,5			0,7631	BF	M4		650	3			248	62	65	0,7906			700	28		273	65,5	68,5	0,8594	710	33	278	66			69	0,8731		750	53	298	68,5	71,5	0,9281			800	78		323	71,5	74,5	0,9969																																																																																																																																																																																																																																																																																																																																																																																																																																																																																																																																																																																																																																																																																																																							
	355	-	100,5	47	50		0,3850					400	-	123	50			53		0,4469		450	-	148	53,5	56,5	0,5156	500	-	173			52	55	0,5844	550	-	198	55,5		58,5	0,6531	560		-	203	56	59			0,6669	600	-	223	59	62	0,7219		1100 x	630	-		238	60,5	63,5	0,7631	BF	M4		650	3			248	62	65			0,7906				700	28	273	65,5	68,5	0,8594	710	33			278	66		69	0,8731	750	53	298	68,5	71,5	0,9281			800	78		323	71,5	74,5	0,9969																																																																																																																																																																																																																																																																																																																																																																																																																																																																																																																																																																																																																																																																																																																																		
	400	-	123	50	53	0,4469	450					-	148	53,5	56,5	0,5156	500	-		173		52	55	0,5844	550	-	198	55,5	58,5	0,6531			560	-	203	56	59	0,6669	600		-	223	59		62	0,7219	1100 x	630			-	238	60,5	63,5	0,7631	BF	M4			650	3		248	62	65	0,7906				700	28			273	65,5	68,5	0,8594	710	33				278	66	69	0,8731	750	53	298	68,5			71,5	0,9281		800	78	323	71,5	74,5	0,9969																																																																																																																																																																																																																																																																																																																																																																																																																																																																																																																																																																																																																																																																																																																																													
450	-	148	53,5	56,5	0,5156	500	-	173	52			55	0,5844	550	-	198	55,5	58,5		0,6531		560	-	203	56	59	0,6669	600	-	223			59	62	0,7219	1100 x	630	-	238		60,5	63,5	0,7631		BF	M4		650			3	248	62	65	0,7906					700	28		273	65,5	68,5	0,8594				710	33	278	66	69	0,8731	750	53	298	68,5				71,5	0,9281	800	78	323	71,5	74,5	0,9969																																																																																																																																																																																																																																																																																																																																																																																																																																																																																																																																																																																																																																																																																																																																																								
500	-	173	52	55	0,5844	550	-	198	55,5			58,5	0,6531	560	-	203	56	59		0,6669		600	-	223	59	62	0,7219	1100 x	630	-			238	60,5	63,5		0,7631	BF	M4		650	3	248					62			65	0,7906	700	28	273			65,5		68,5	0,8594	710	33	278	66	69				0,8731	750	53	298	68,5	71,5	0,9281	800	78	323				71,5	74,5	0,9969																																																																																																																																																																																																																																																																																																																																																																																																																																																																																																																																																																																																																																																																																																																																																													
550	-	198	55,5	58,5	0,6531	560	-	203	56			59	0,6669	600	-	223	59	62		0,7219		1100 x	630	-	238	60,5	63,5		0,7631	BF			M4	650	3		248				62	65	0,7906					700	28	273	65,5	68,5	0,8594	710	33			278		66	69	0,8731	750	53	298	68,5				71,5	0,9281	800	78	323	71,5	74,5	0,9969																																																																																																																																																																																																																																																																																																																																																																																																																																																																																																																																																																																																																																																																																																																																																																					
560	-	203	56	59	0,6669	600	-	223	59			62	0,7219	1100 x	630	-	238	60,5		63,5			0,7631	BF	M4	650	3		248					62	65		0,7906			700	28	273	65,5	68,5				0,8594	710	33	278	66	69	0,8731	750			53		298	68,5	71,5	0,9281	800	78	323				71,5	74,5	0,9969																																																																																																																																																																																																																																																																																																																																																																																																																																																																																																																																																																																																																																																																																																																																																																										
600	-	223	59	62	0,7219	1100 x	630	-	238			60,5	63,5		0,7631	BF	M4	650		3			248			62	65		0,7906		700	28		273	65,5		68,5			0,8594	710	33	278	66				69	0,8731	750	53	298	68,5	71,5	0,9281			800		78	323	71,5	74,5	0,9969																																																																																																																																																																																																																																																																																																																																																																																																																																																																																																																																																																																																																																																																																																																																																																																		
1100 x	630	-	238	60,5	63,5		0,7631	BF	M4			650	3		248			62	65	0,7906	700		28			273	65,5		68,5		0,8594	710		33	278		66			69	0,8731	750	53	298				68,5	71,5	0,9281	800	78	323	71,5	74,5			0,9969																																																																																																																																																																																																																																																																																																																																																																																																																																																																																																																																																																																																																																																																																																																																																																																								
	650	3	248	62	65		0,7906			700	28	273	65,5		68,5			0,8594	710	33	278		66			69	0,8731		750		53	298		68,5	71,5		0,9281			800	78	323	71,5	74,5				0,9969																																																																																																																																																																																																																																																																																																																																																																																																																																																																																																																																																																																																																																																																																																																																																																																																		
	700	28	273	65,5	68,5		0,8594			710	33	278	66		69			0,8731	750	53	298		68,5			71,5	0,9281		800		78	323		71,5	74,5		0,9969																																																																																																																																																																																																																																																																																																																																																																																																																																																																																																																																																																																																																																																																																																																																																																																																													
	710	33	278	66	69		0,8731			750	53	298	68,5		71,5			0,9281	800	78	323		71,5			74,5	0,9969																																																																																																																																																																																																																																																																																																																																																																																																																																																																																																																																																																																																																																																																																																																																																																																																																							
	750	53	298	68,5	71,5		0,9281			800	78	323	71,5		74,5			0,9969																																																																																																																																																																																																																																																																																																																																																																																																																																																																																																																																																																																																																																																																																																																																																																																																																																
	800	78	323	71,5	74,5		0,9969																																																																																																																																																																																																																																																																																																																																																																																																																																																																																																																																																																																																																																																																																																																																																																																																																																											

Sizes in increments of 5 mm can be manufactured on request.

A x B [mm]	Damper blade overlaps		Weight		Effective area Sef [m ²]	Spring return actuator	Manual control	A x B [mm]	Damper blade overlaps		Weight		Effective area Sef [m ²]	Spring return actuator	Manual control
	a [mm]	c [mm]	Man. [kg]	Actu. [kg]*					a [mm]	c [mm]	Man. [kg]	Actu. [kg]*			
1500 x	180	-	13	36	37,5	0,1549		1500 x	500	-	173	57	60	0,6269	
	200	-	23	37,5	39	0,1844	BFL		550	-	198	58,5	61,5	0,7006	M3
	225	-	36	39,5	41	0,2213			560	-	203	59,5	62,5	0,7154	
	250	-	48	41,5	43	0,2581	M2		600	-	223	62,5	65,5	0,7744	M4
	280	-	63	44	45,5	0,3024			630	-	238	64	67	0,8186	
	300	-	73	45,5	48,5	0,3319	BFN		650	3	248	65,5	68,5	0,8481	BF
	315	-	80,5	46,5	49,5	0,3540			700	28	273	69,5	72,5	0,9219	
	355	-	100,5	49,5	52,5	0,4130			710	33	278	69,5	79,5	0,9366	M5
	400	-	123	53	56	0,4794			750	53	298	72,5	75,5	0,9956	
	450	-	148	55	58	0,5531	BF		M3	800	78	323	75,5	78,5	1,0694

Sizes in increments of 5 mm can be manufactured on request.

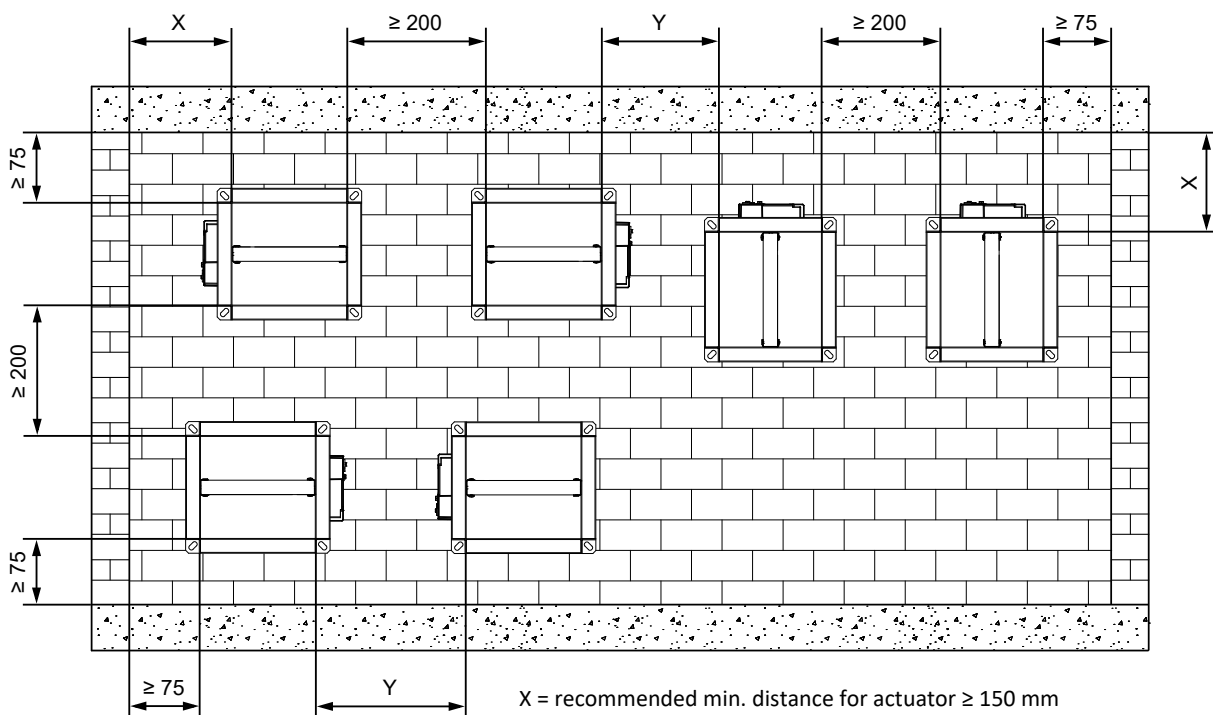
IV. INSTALLATION

Placement and installation

- The fire dampers are suitable for installation in arbitrary position in vertical and horizontal passages of fire separating constructions. The damper installation procedures must be done so that all load transfer from the fire separating constructions to the damper is absolutely excluded. Following air-conditioning duct must be suspended or supported so that all load transfer from the following duct to the fire damper is absolutely excluded. The gap between the installed damper and the fire separating construction must be perfectly filled with approved material.
- The damper must be installed so that the damper blade (in closed position) is situated in the fire separating construction - marked by the label BUILT-IN EDGE on the damper casing. If such solution is not possible, the duct between the fire separating construction and the damper blade must be protected according to the certified installation method → see pages 23 to 40
- During the installation and plastering process, the actuating mechanism must be protected (covered) against damage and pollution. The damper casing should not be deformed during bricking in. Once the damper is built in, the damper blade should not grind against the damper casing during opening or closing.
- The distance between the fire damper and the construction (wall, ceiling) must be 75 mm at the minimum, according to BS EN 1366-2. If two or more dampers are to be installed in one fire separating construction, the distance between adjacent dampers must be 200 mm at the minimum, according to BS EN 1366-2.

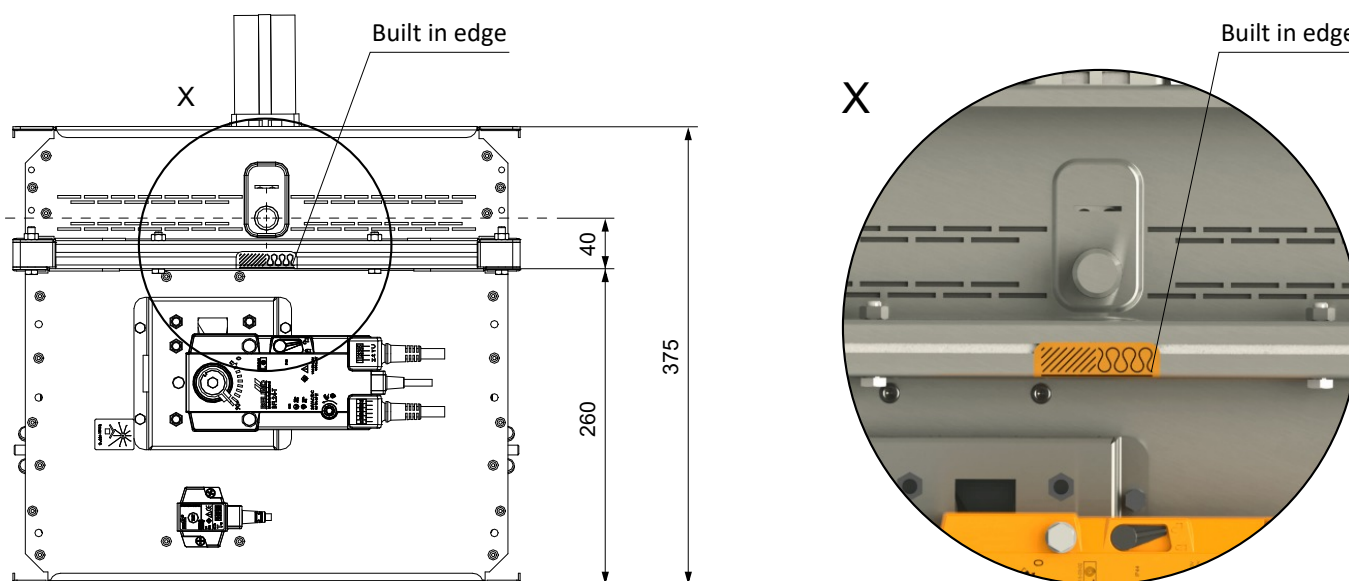
Minimum distance between the fire dampers and the construction

- minimum distance 200 mm between dampers, according to BS EN 1366-2
- minimum distance 75 mm between damper and construction (wall/ceiling), according to BS EN 1366-2
- recommended minimum distance 150 mm necessary for access to the actuator
- recommended minimum distance 250 mm necessary for access to the manual control

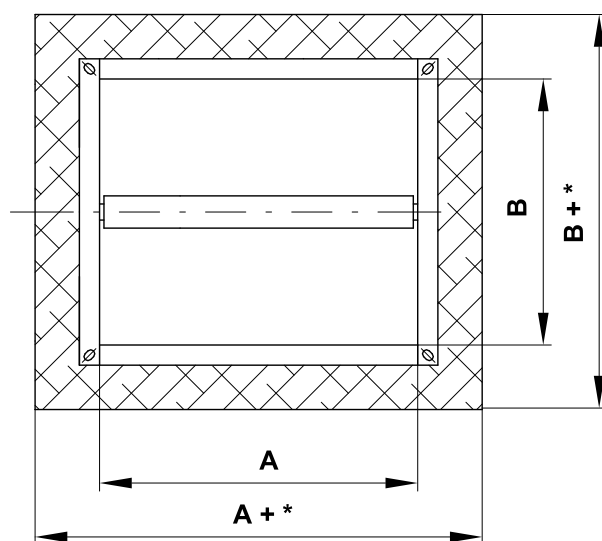


X = recommended min. distance for actuator ≥ 150 mm
 X = recommended min. distance for manual control (≥ 250 mm)
 Y = for actuator (≥ 200 mm) acc. to BS EN 1366-2
 Y = recommended min. distance for manual control (≥ 250 mm)

- Always consult the wall manufacturers specific guidelines for penetration size, location to other services, fire stopping and load bearing capacity.
- No other services should pass through the dampers building work opening.
- For lightweight walls always consult the wall manufacturer specific guidelines for penetrations sizes and distances.

Built in edge

"BUILT IN EDGE label" indicates the recommended edge of installation of a fire damper in the fire separating construction (wall/ceiling). The damper must be installed so that the entire damper blade (in the closed position) is located in the fire separating construction (wall/ceiling) and at the same time the actuating mechanism and inspection openings are freely accessible.

Dimensions of an installation opening*** Mortar or gypsum**

- min. $A(B)+100 - 140$, by the type of installation
→ see pages 23 to 40
- max. $A(B)+300$

Ablative Coated Batt

- min. $A(B)+100$
- max. $A(B)+360$

Examples of constructions for fire damper installation

- The fire damper can be installed into:
 - Solid wall construction made e.g. of normal concrete/masonry or porous concrete with min. thickness 100 mm.
 - Gypsum wall construction with min. thickness 100 mm.
 - Solid ceiling construction made e.g. of normal concrete or porous concrete, with minimum thickness according to BS EN 1366-2.
- Outside the wall/ceiling construction. The duct and damper must be protected by fire insulation. If damper is installed outside a construction it is necessary to use reinforcing frame VRM-Q 120 → see page 51

Statement of installations

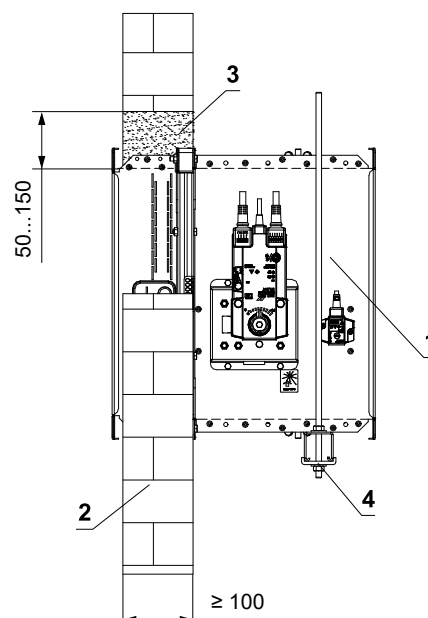
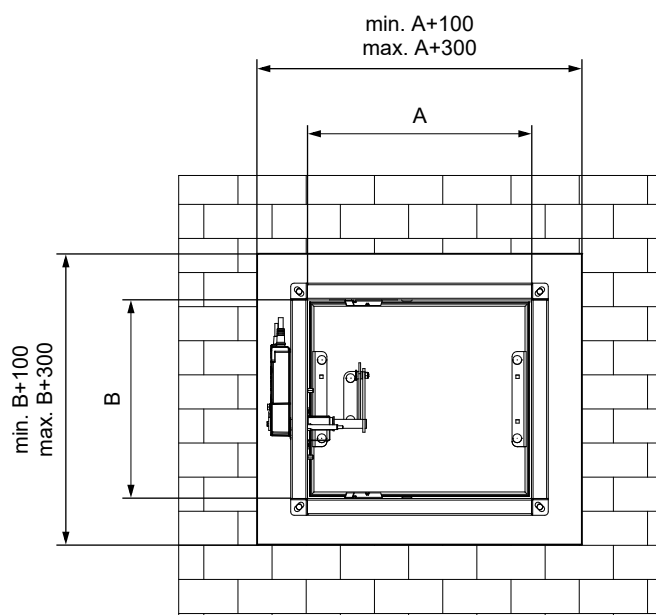
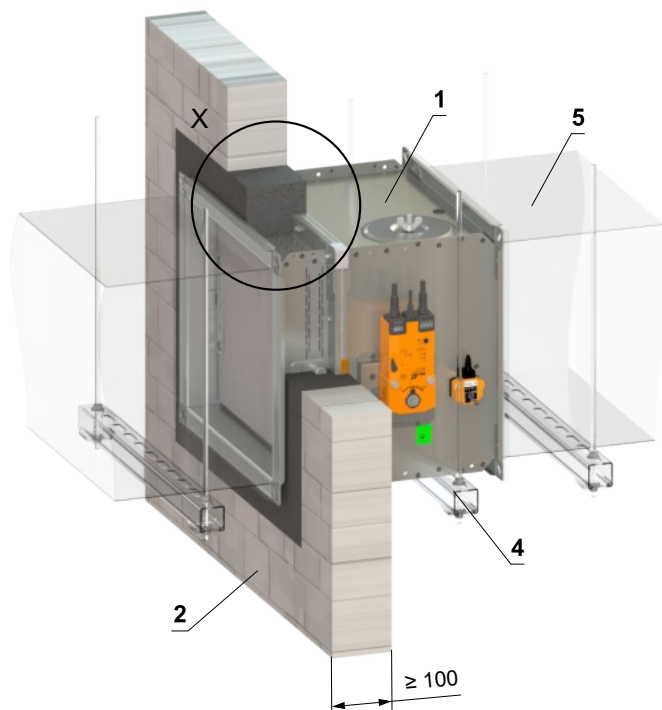
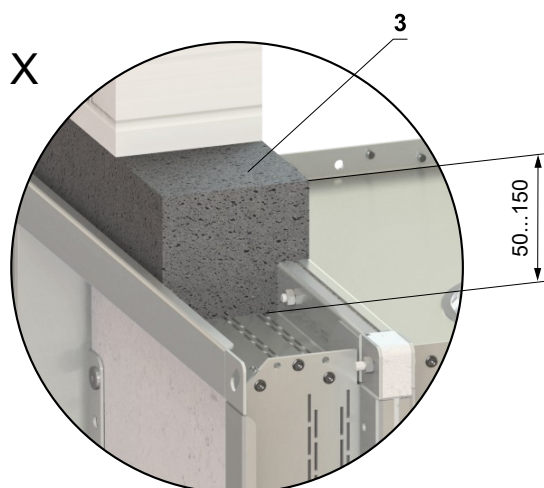
Placement	wall/ceiling min. thickness [mm]	Method of installation	Fire resistance	Page
In solid wall construction	100	Mortar or gypsum	EI 120 (v _e i↔o) S - 500 Pa	23
		2 dampers in battery - mortar or gypsum		24
		4 dampers in battery - mortar or gypsum	EI 120 (v _e i↔o) S	25
		Ablative Coated Batt		26
Outside solid wall construction	100	ISOVER Ultimate Protect - Ablative Coated Batt	EI 120 (v _e i↔o) S	27-28
In gypsum wall construction	100	Mortar or gypsum	EI 120 (v _e i↔o) S - 500 Pa	29
		2 dampers in battery - mortar or gypsum		30
		4 dampers in battery - mortar or gypsum	EI 120 (v _e i↔o) S	31
		Ablative Coated Batt		32
Outside gypsum wall construction	100	ISOVER Ultimate Protect - Ablative Coated Batt		33-34
		Flamebar EN Fire Duct - FPL 110 insulation	EI 120 (v _e i↔o) S	35-36
In shaft wall construction	105	Mortar or gypsum	EI 120 (v _e i↔o) S	37
In solid ceiling construction	150	Mortar or gypsum	EI 120 (h _o i↔o) S - 500 Pa	38
		2 dampers in battery - mortar or gypsum		39
		4 dampers in battery - mortar or gypsum	EI 120 (h _o i↔o) S	40

Installation in solid wall construction

In solid wall construction - mortar or gypsum

EI 120 (v_e i↔o) S - 500 Pa

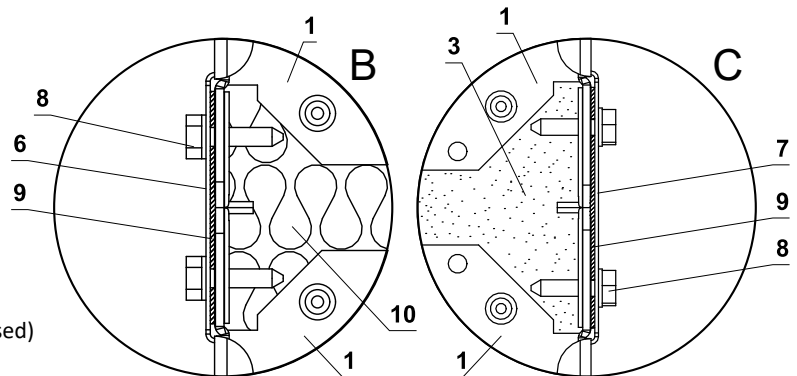
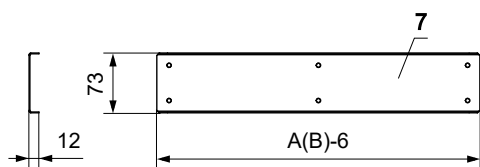
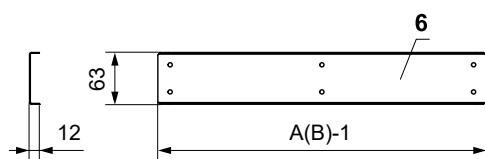
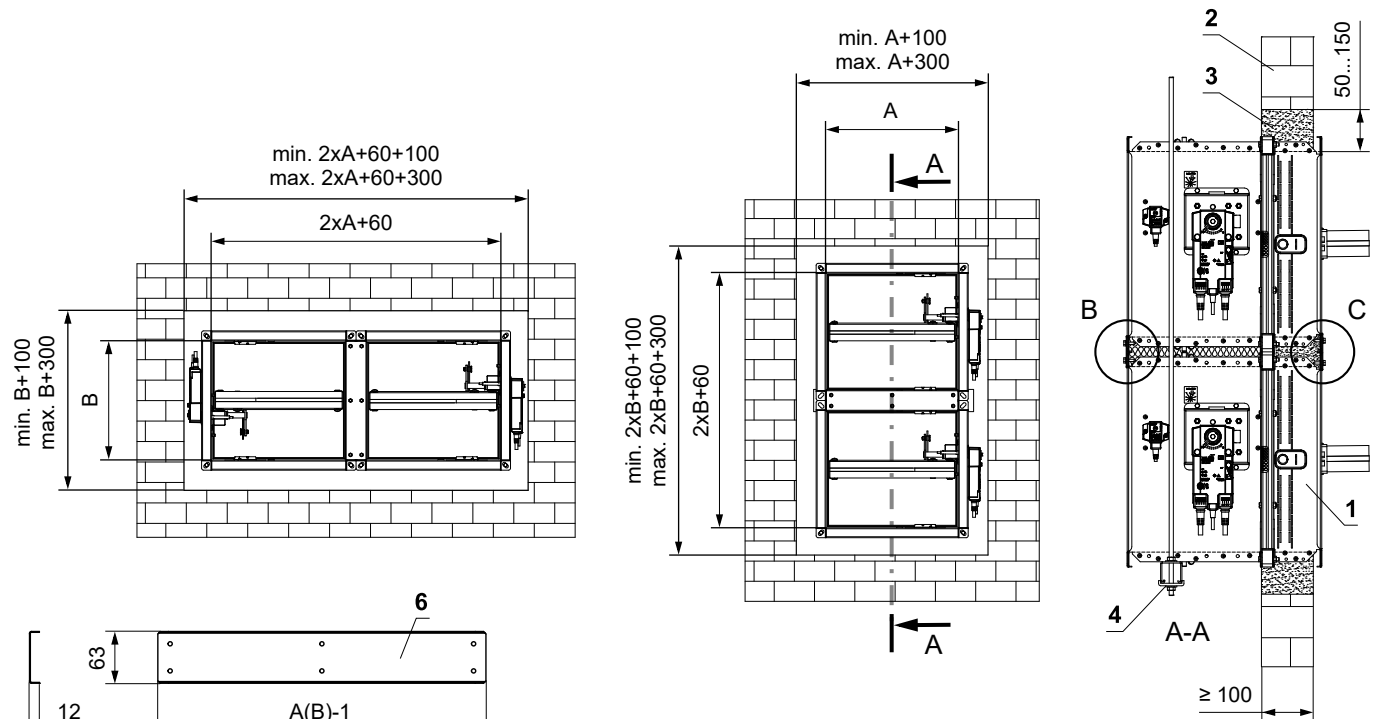
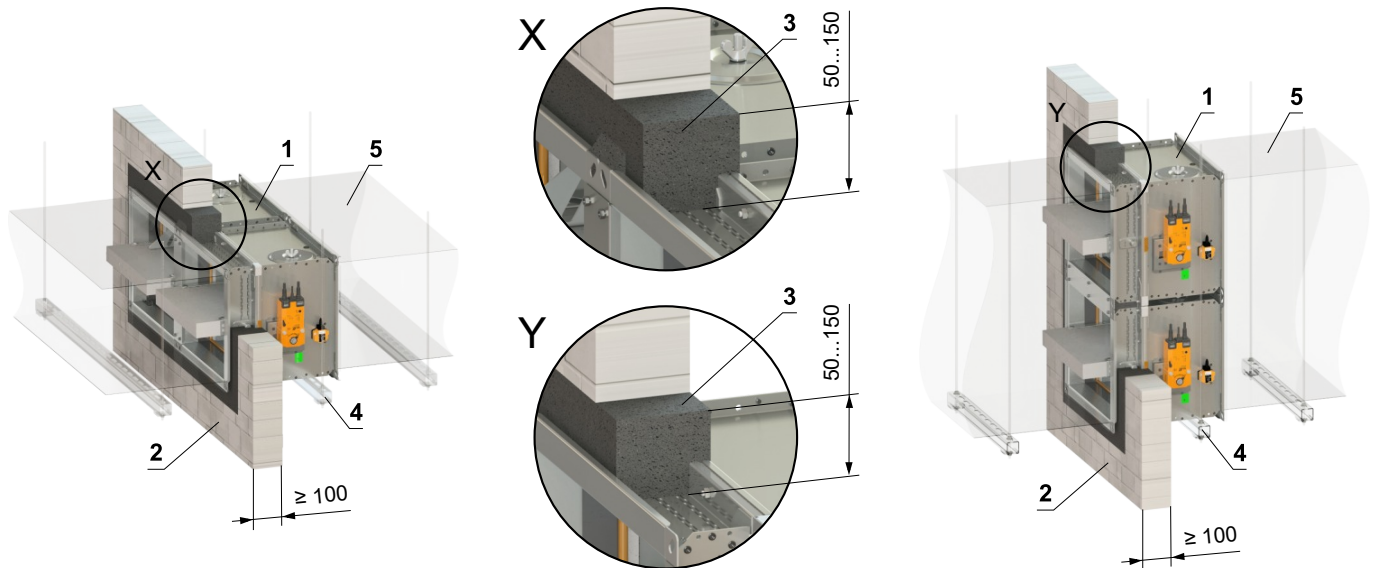
- For connection following duct → see page 43
- This installation was tested without supports. Supports are optional, if are used, follow the manufacturer's instructions and national standards.



- 1 FDMQ 120
- 2 Solid wall construction
- 3 British gypsum thistle bond 60 (or equivalent can be used)
minimum density 670 kg/m³
- 4 Fixing profile with threaded rod → see pages 41 to 42
- 5 Duct

In solid wall construction - 2 dampers in battery - mortar or gypsum

EI 120 (v_e i↔o) S

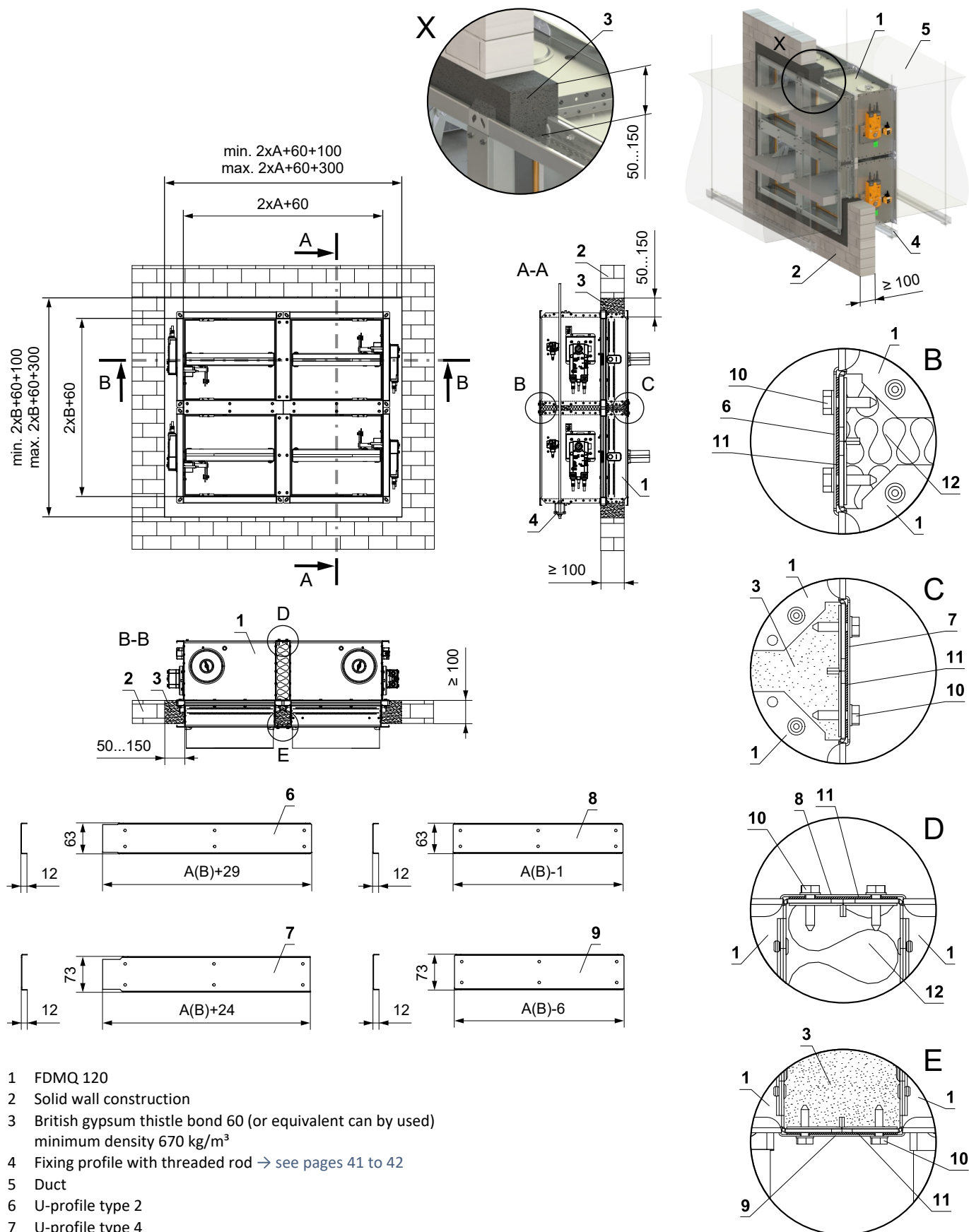


- 1 FDMQ 120
- 2 Solid wall construction
- 3 British gypsum thistle bond 60 (or equivalent can be used) minimum density 670 kg/m³
- 4 Fixing profile with threaded rod → see pages 41 to 42
- 5 Duct
- 6 U-profile type 3
- 7 U-profile type 1
- 8 Screw TEK 4,8x18 mm (span ≤ 200 mm)
- 9 Seal
- 10 Insulation board made of stone wool, min. density 66 kg/m³ (e.g. ISOVER Ultimate Protect SLAB 4), th. 60 mm

- For connection following duct → see page 43
- Gap between damper and construction is filled by mortar or gypsum
- This installation was tested without supports. Supports are optional, if are used, follow the manufacturer's instructions and national standards.

In solid wall construction - 4 dampers in battery - mortar or gypsum

EI 120 (ve i↔o) S

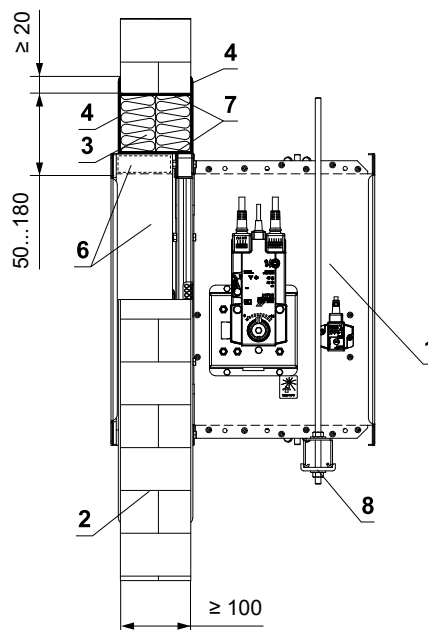
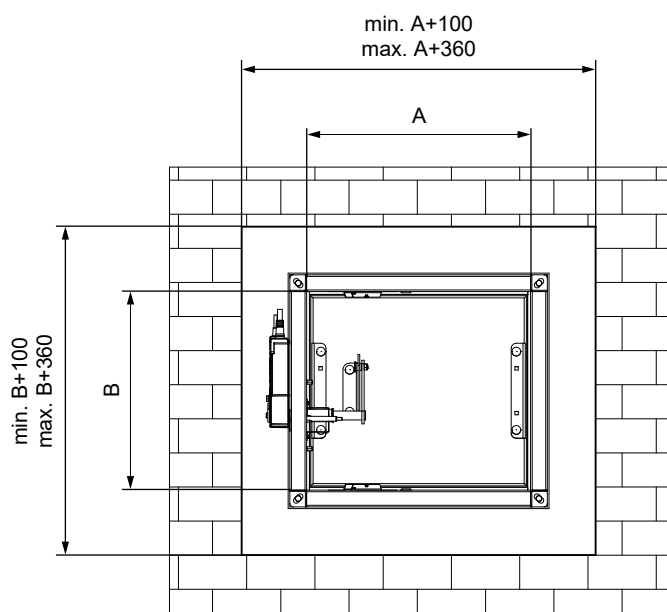
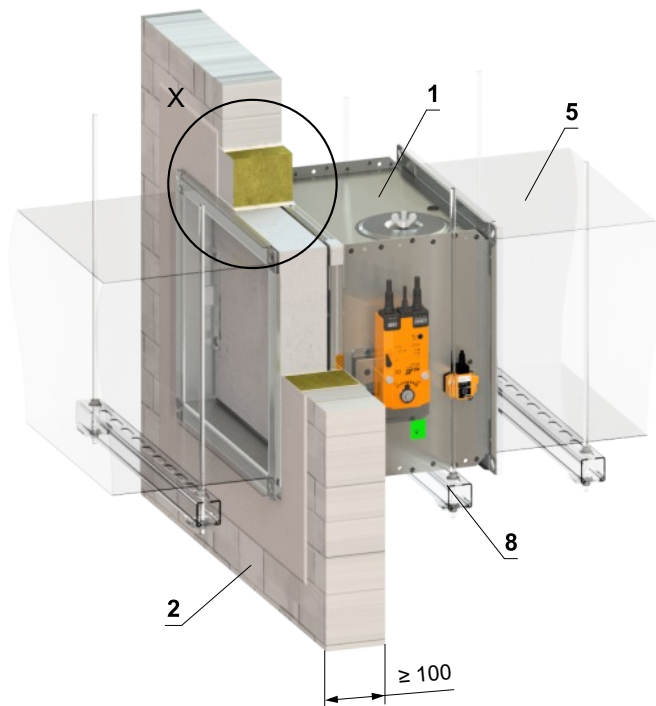
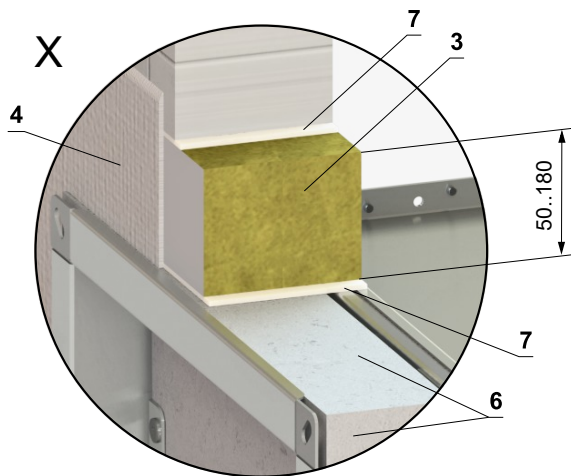


- For connection following duct → see page 43
- Gap between damper and construction is filled by mortar or gypsum
- This installation was tested without supports. Supports are optional, if are used, follow the manufacturer's instructions and national standards.

In solid wall construction - Ablative Coated Batt

EI 120 (v_e i↔o) S

- For connection following duct → see page 43



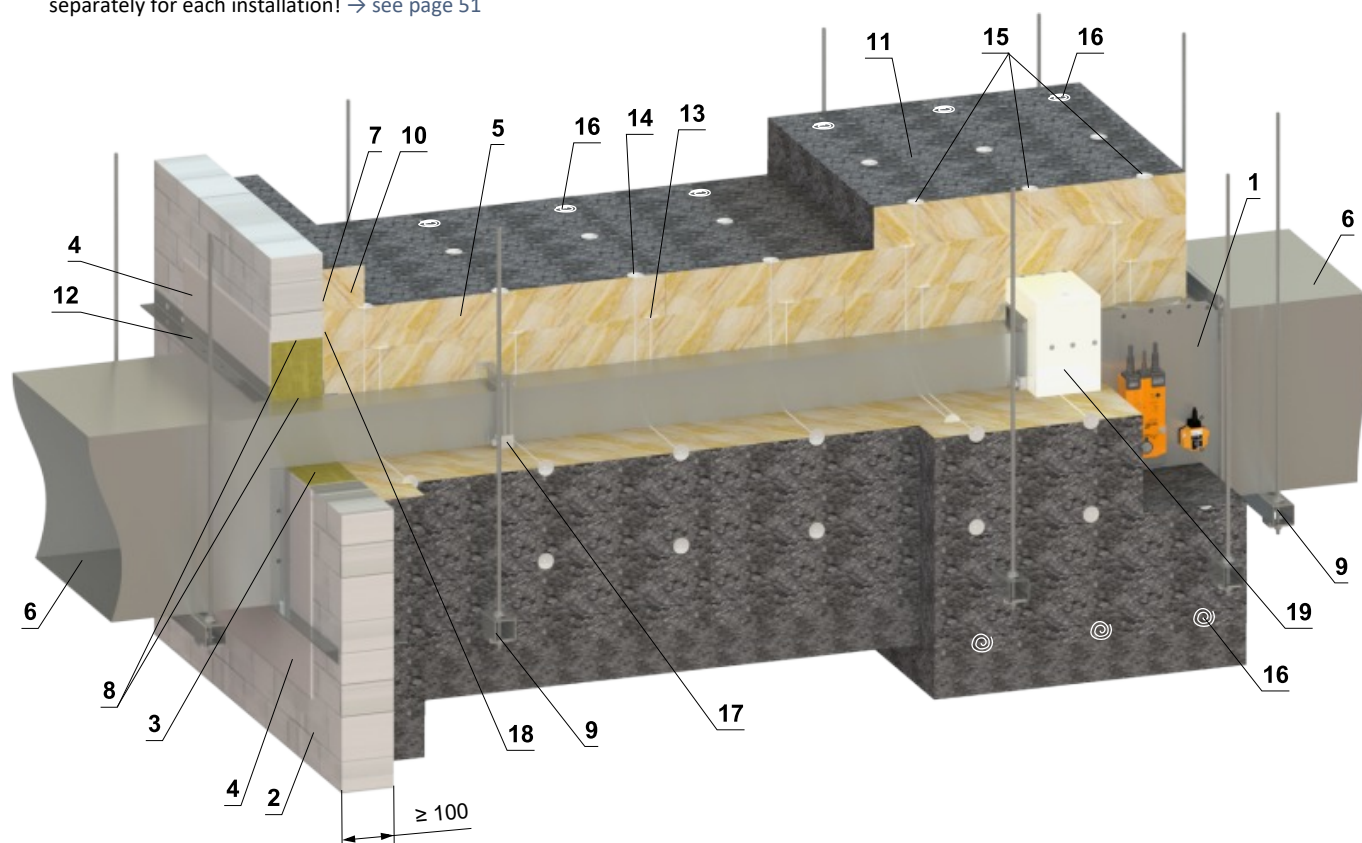
- 1 FDMQ 120
- 2 Solid wall construction
- 3 Ablative Coated Batt (e.g. Firestop Board HILTI CFS-CT B 1S 140/50 - min. density 140 kg/m³ + Firestop acrylic sealant HILTI CFS-S ACR or equivalent)
- 4 Fire stop coating thickness 1 mm (e.g. HILTI CFS-CT, PROMASTOP-CC or equivalent)
- 5 Duct
- 6 Protective cladding boards - (not part of the damper) but must be used as part of the penetration filling → see page 52
- 7 Fire resistant mastic - fill the gap on both sides of the fire separation construction and around the perimeter of penetration and damper body. (e.g. HILTI CFS-S ACR)
- 8 Fixing profile with threaded rod → see pages 41 to 42

Installation outside solid wall construction

Outside solid wall construction - ISOVER Ultimate Protect - Ablative Coated Batt

EI 120 (v_e i↔o) S

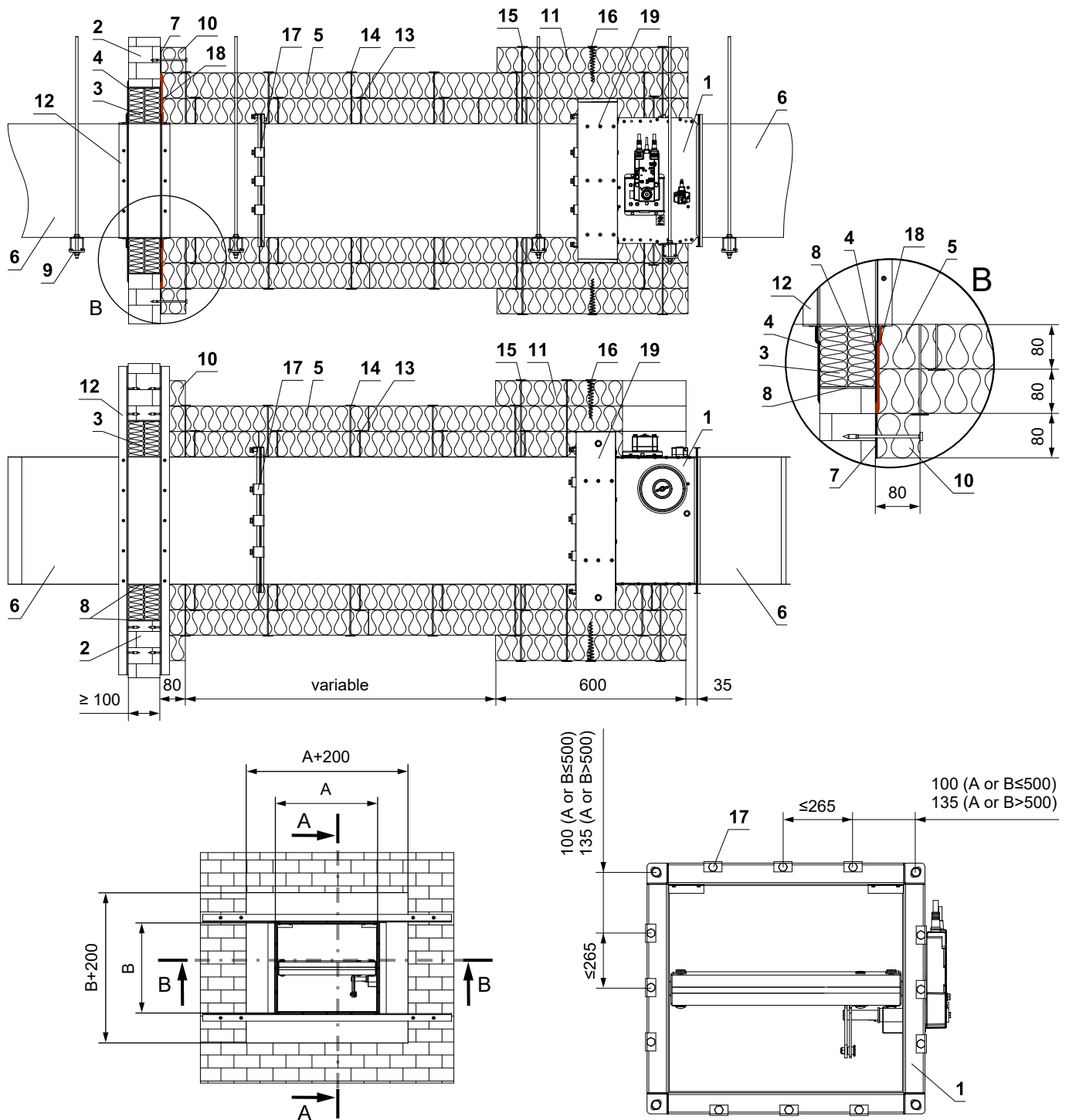
- For connection following duct → see page 43
- Minimum and maximum distance between the wall and the fire damper is unlimited.
- When installing the insulation, follow the ISOVER manufacturer's instructions.
- The fire damper and duct must be suspended separately.
- The duct must be suspended on both sides of the fire damper in accordance with national standards.
- The duct between the fire damper and the fire separating construction must be suspended using threaded rods and mounting profiles or another suspension system in accordance with national standards.
- Fire damper inspection holes are covered with insulation, therefore it's necessary to make an inspection hole in the connecting duct.
- Load on suspension system depends on weight of the fire damper and duct system → see page 41
- Max. length between two suspension systems is 1500 mm.
- Installation must be done in such a way that all load transfer from the fire separating construction to the damper is completely eliminated.
- If the threaded rod is located inside the duct insulation, the distance between the threaded rod and the duct must be max. 30 mm.
- If the threaded rod is located outside the duct insulation, the distance between the threaded rod and the insulation must be max. 40 mm.
- The insulation boards are fastened to the duct.
- Reinforcing frame VRM-Q 120 must always be used for this type of installation. VRM-Q 120 is not part of the fire damper and must be ordered separately for each installation! → see page 51



- | | | | |
|---|--|----|---|
| 1 | FDMQ 120 | 10 | Duct penetration insulation collar - ISOVER Ultimate Protect SLAB 4.0 Alu1, th. 80 mm - glued (pos. 7) and fixed with screws to the wall construction |
| 2 | Solid wall construction | 11 | Insulating collar of the damper and duct connection - ISOVER Ultimate Protect SLAB 4.0 Alu1, th. 80 mm |
| 3 | Ablative Coated Batt (e.g. Firestop Board HILTI CFS-CT B 1S 140/50 - min. density 140 kg/m ³ + Firestop acrylic sealant HILTI CFS-S ACR or equivalent) | 12 | L-profile 30x30x3 mm - dimensions and installation acc. to ISOVER manufacturer |
| 4 | Fire stop coating thickness 1 mm (e.g. HILTI CFS-CT, PROMASTOP-CC or equivalent) | 13 | Stud-welded pins 80 mm - quantity and placing acc. to ISOVER manufa. |
| 5 | Insulation board made of stone wool, with a surface treatment of aluminum foil, min. density 66 kg/m ³ (ISOVER Ultimate Protect SLAB 4.0 Alu1, th. 80 mm) | 14 | Stud-welded pins 160 mm - quantity and placing acc. to ISOVER manufa. |
| 6 | Standard air ducts, made of galvanized sheet thickness 0,8 mm, flanges 30 mm, acc. to BS EN 1507 and DIN 24190 | 15 | Stud-welded pins 240 mm - quantity and placing acc. to ISOVER manufa. |
| 7 | ISOVER Protect BSK glue - apply on the insulation and stick it to the fire separation construction | 16 | Fire spiral shaped screws - quantity and placing acc. to ISOVER manufa. |
| 8 | Fire resistant mastic - fill the gap on both sides of the fire separation construction and around the perimeter of penetration and damper body. (e.g. HILTI CFS-S ACR) | 17 | Steel clamp min. M8 bolts |
| 9 | Fixing profile with threaded rod → see pages 41 to 42 | 18 | ISOVER Protect BSF |
| | | 19 | VRM-Q 120 → see page 51 |

(continued on next page)

(continuation of installation Outside solid wall construction - ISOVER Ultimate Protect - Ablative Coated Batt)



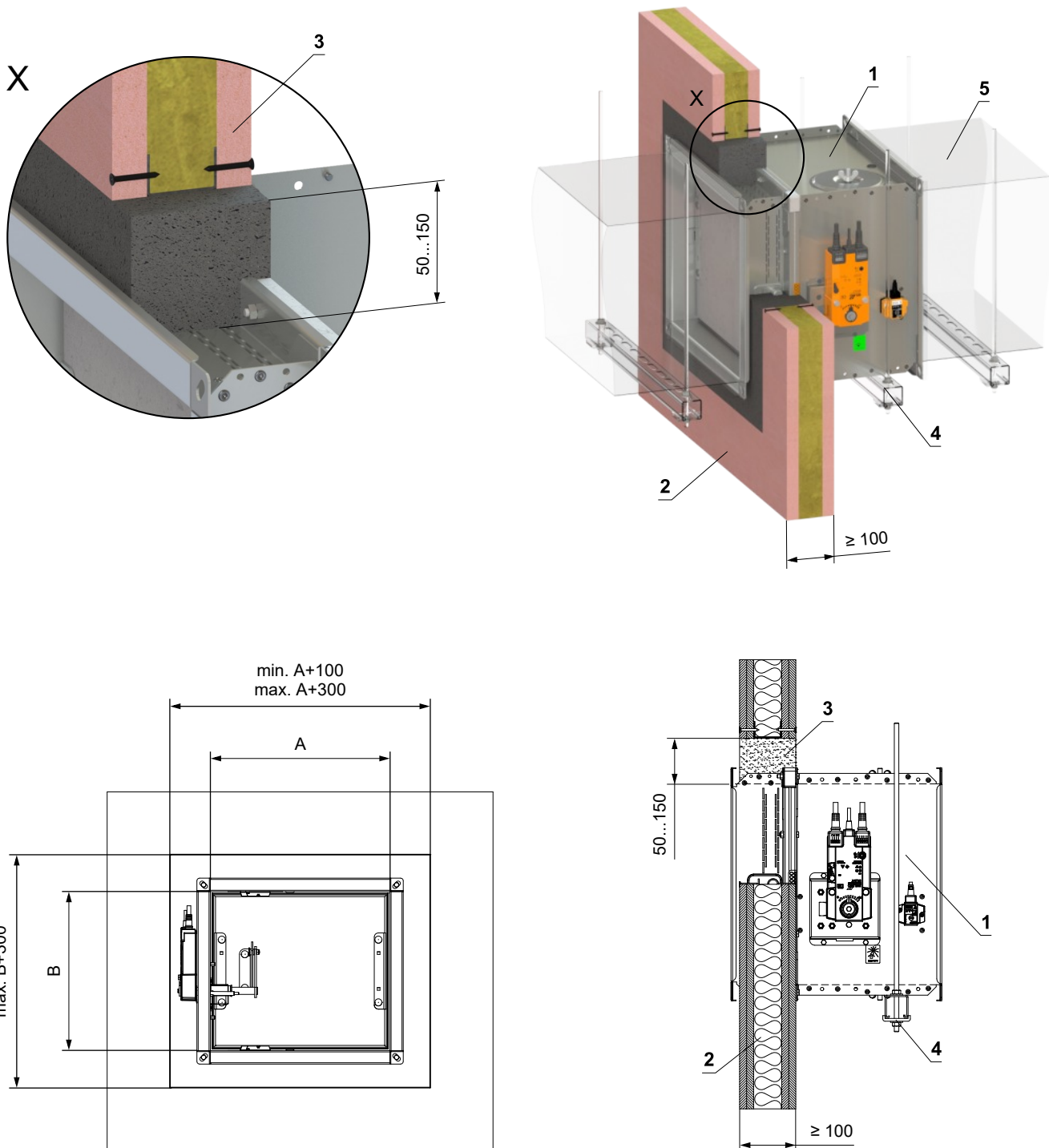
- | | |
|---|--|
| <ul style="list-style-type: none"> 1 FDMQ 120 2 Solid wall construction 3 Ablative Coated Batt (e.g. Firestop Board HILTI CFS-CT B 1S 140/50 - min. density 140 kg/m³ + Firestop acrylic sealant HILTI CFS-S ACR or equivalent) 4 Fire stop coating thickness 1 mm (e.g. HILTI CFS-CT, PROMASTOP-CC or equivalent) 5 Insulation board made of stone wool, with a surface treatment of aluminum foil, min. density 66 kg/m³ (ISOVER Ultimate Protect SLAB 4.0 Alu1, th. 80 mm) 6 Standard air ducts, made of galvanized sheet thickness 0,8 mm, flanges 30 mm, acc. to BS EN 1507 and DIN 24190 7 ISOVER Protect BSK glue - apply on the insulation and stick it to the fire separation construction 8 Fire resistant mastic - fill the gap on both sides of the fire separation construction and around the perimeter of penetration and damper body. (e.g. HILTI CFS-S ACR) 9 Fixing profile with threaded rod → see pages 41 to 42 | <ul style="list-style-type: none"> 10 Duct penetration insulation collar - ISOVER Ultimate Protect SLAB 4.0 Alu1, th. 80 mm - glued (pos. 7) and fixed with screws to the wall construction 11 Insulating collar of the damper and duct connection - ISOVER Ultimate Protect SLAB 4.0 Alu1, th. 80 mm 12 L-profile 30x30x3 mm - dimensions and installation acc. to ISOVER manufacturer 13 Stud-welded pins 80 mm - quantity and placing acc. to ISOVER manufa. 14 Stud-welded pins 160 mm - quantity and placing acc. to ISOVER manufa. 15 Stud-welded pins 240 mm - quantity and placing acc. to ISOVER manufa. 16 Fire spiral shaped screws - quantity and placing acc. to ISOVER manufa. 17 Steel clamp min. M8 bolts 18 ISOVER Protect BSF 19 VRM-Q 120 → see page 51 |
|---|--|

Installation in gypsum wall construction

In gypsum wall construction - mortar or gypsum

EI 120 (v_e i↔o) S - 500 Pa

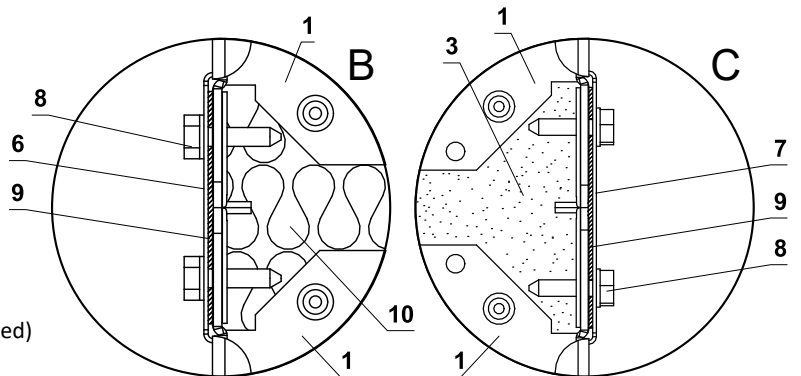
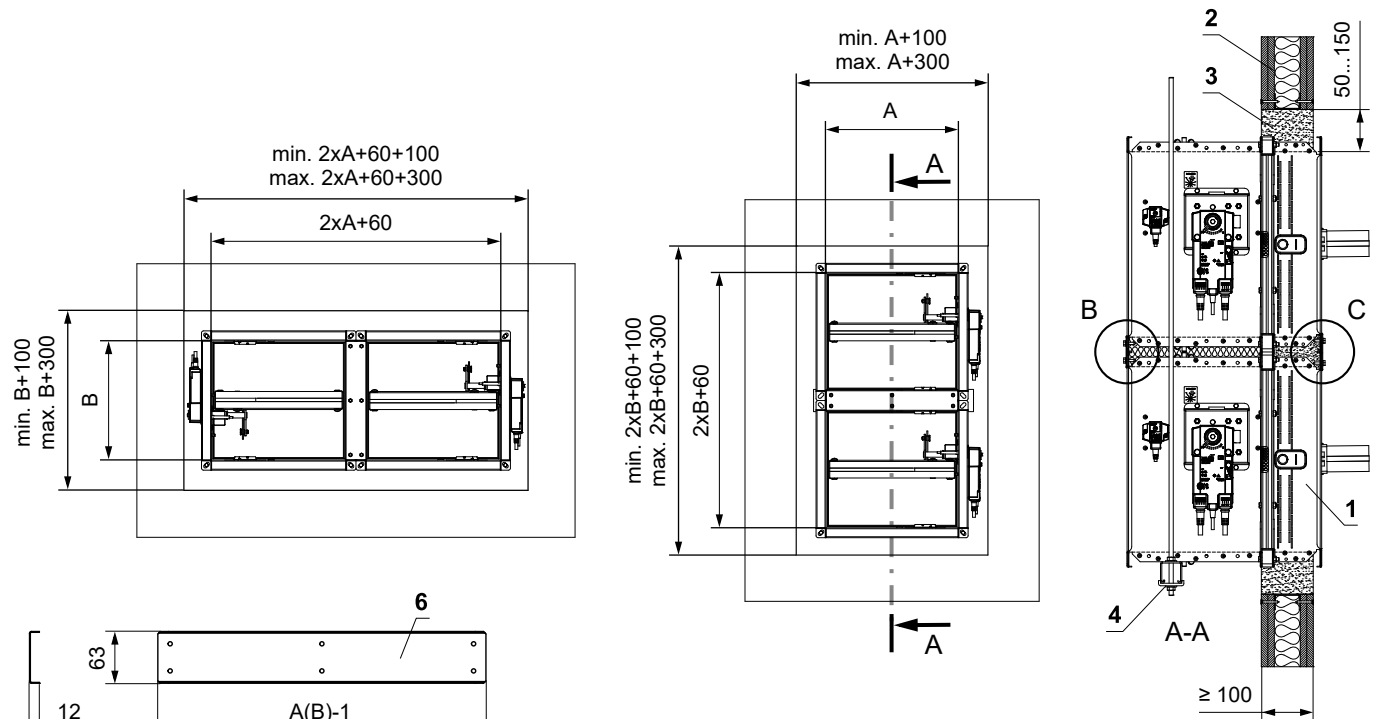
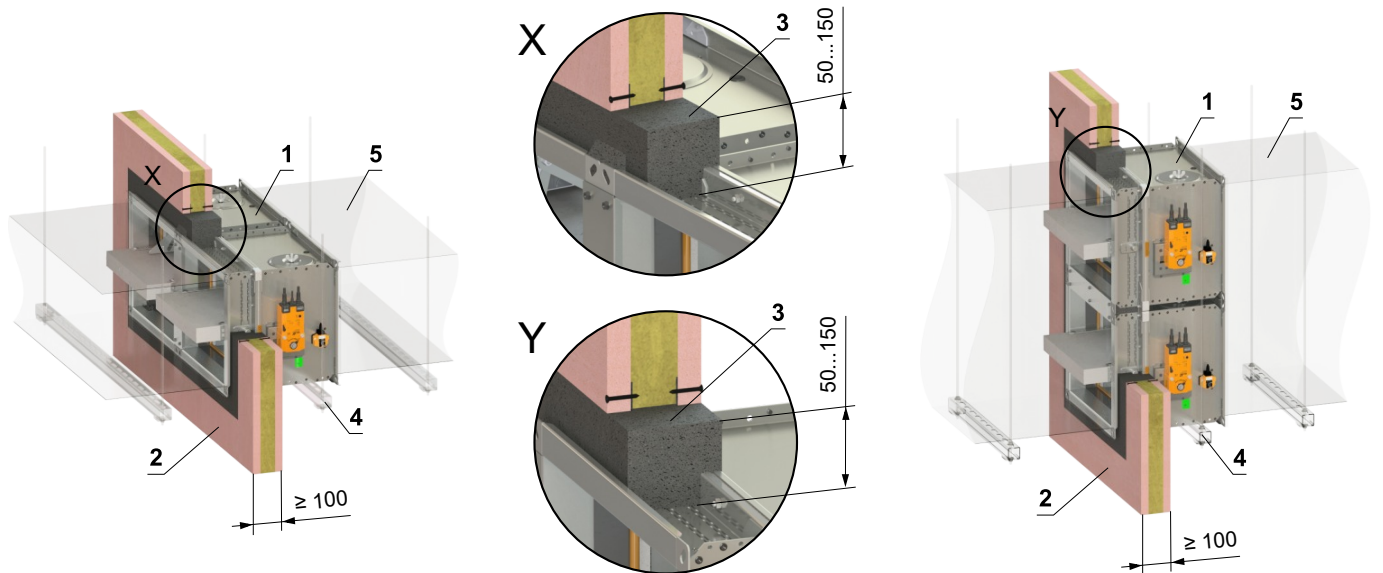
- For connection following duct → see page 43
- This installation was tested without supports. Supports are optional, if are used, follow the manufacturer's instructions and national standards.



- 1 FDMQ 120
- 2 Gypsum wall construction
- 3 British gypsum thistle bond 60 (or equivalent can by used) minimum density 670 kg/m³
- 4 Fixing profile with threaded rod → see pages 41 to 42
- 5 Duct

In gypsum wall construction - 2 dampers in battery - mortar or gypsum

EI 120 (v_e i↔o) S

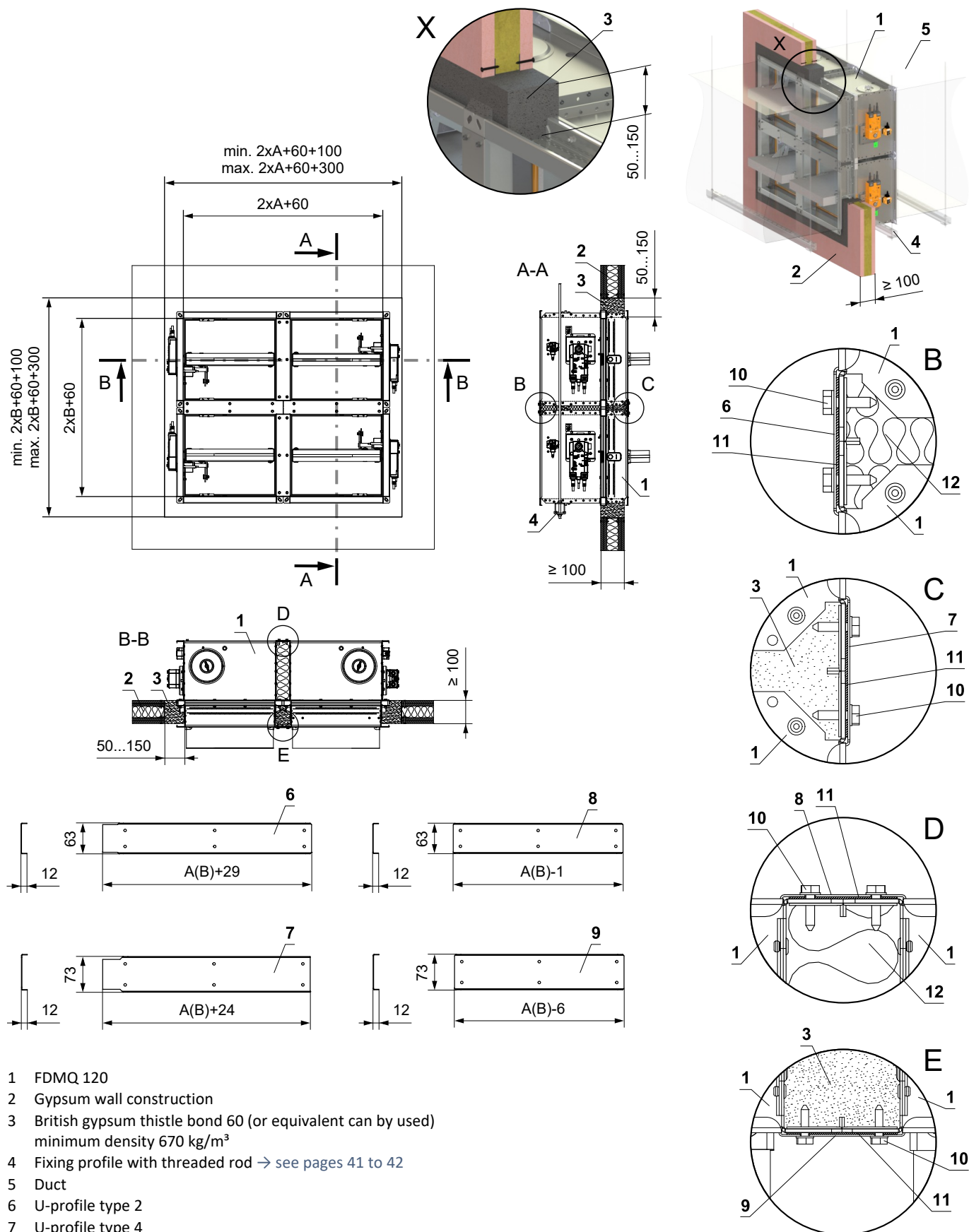


- 1 FDMQ 120
- 2 Gypsum wall construction
- 3 British gypsum thistle bond 60 (or equivalent can be used) minimum density 670 kg/m³
- 4 Fixing profile with threaded rod → see pages 41 to 42
- 5 Duct
- 6 U-profile type 3
- 7 U-profile type 1
- 8 Screw TEK 4,8x18 mm (span ≤ 200 mm)
- 9 Seal
- 10 Insulation board made of stone wool, min. density 66 kg/m³ (e.g. ISOVER Ultimate Protect SLAB 4), th. 60 mm

- For connection following duct → see page 43
- Gap between damper and construction is filled by mortar or gypsum
- This installation was tested without supports. Supports are optional, if are used, follow the manufacturer's instructions and national standards.

In gypsum wall construction - 4 dampers in battery - mortar or gypsum

EI 120 (v_e i↔o) S



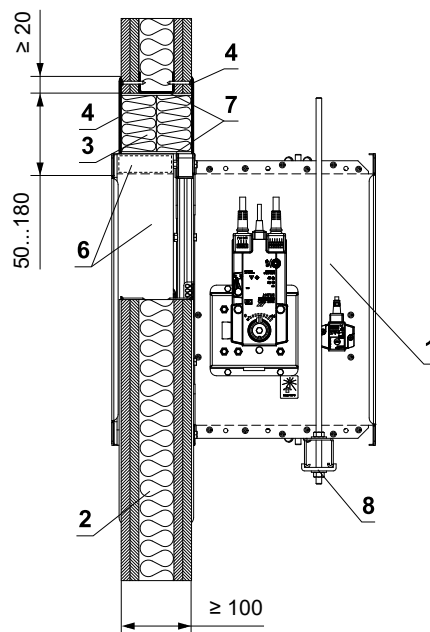
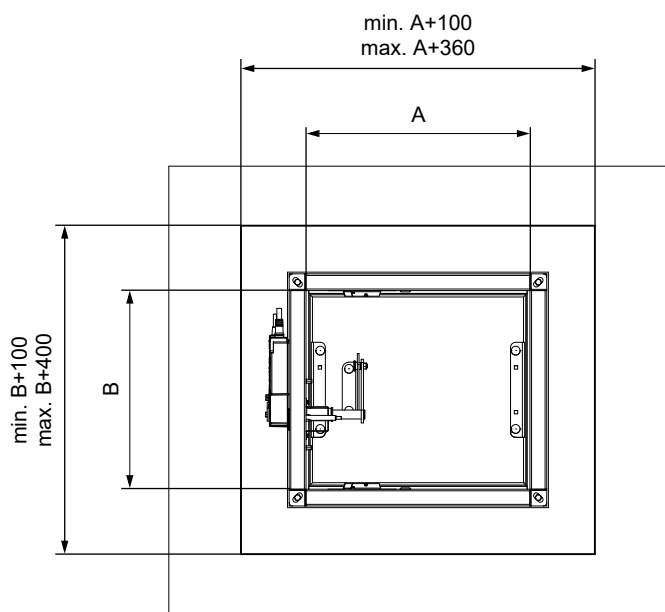
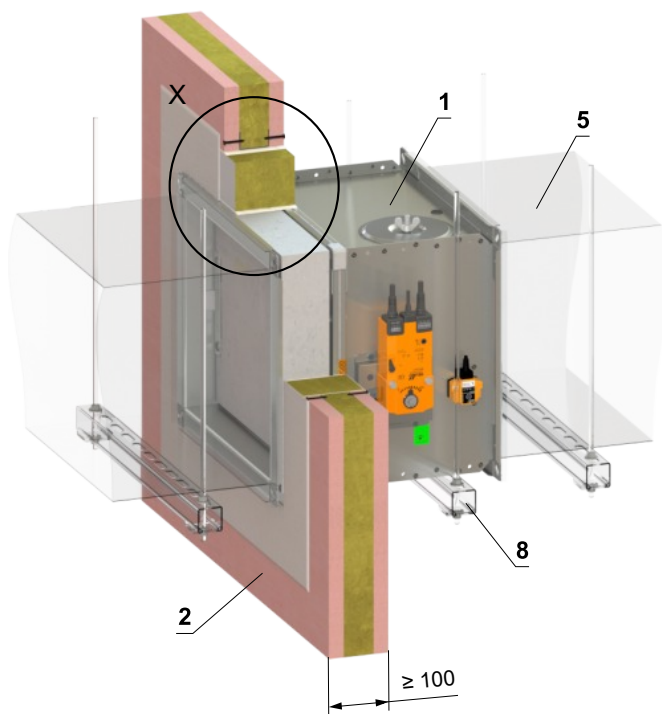
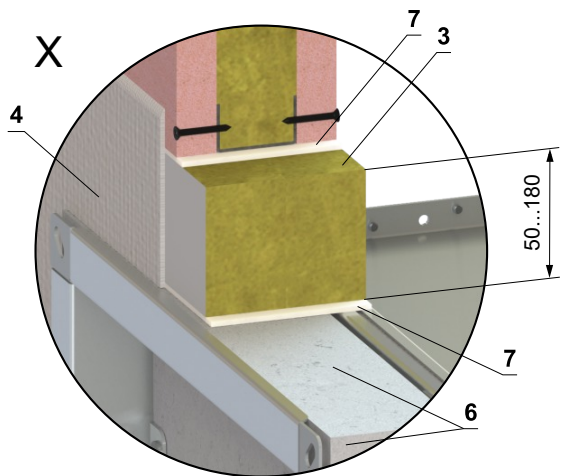
- 1 FDMQ 120
- 2 Gypsum wall construction
- 3 British gypsum thistle bond 60 (or equivalent can be used) minimum density 670 kg/m³
- 4 Fixing profile with threaded rod → see pages 41 to 42
- 5 Duct
- 6 U-profile type 2
- 7 U-profile type 4
- 8 U-profile type 1
- 9 U-profile type 3
- 10 Screw TEK 4,8x18 mm (span ≤ 200 mm)
- 11 Seal
- 12 Insulation board made of stone wool, min. density 66 kg/m³ (e.g. ISOVER Ultimate Protect SLAB 4), th. 60 mm

- For connection following duct → see page 43
- Gap between damper and construction is filled by mortar or gypsum
- This installation was tested without supports. Supports are optional, if are used, follow the manufacturer's instructions and national standards.

In gypsum wall construction - Ablative Coated Batt

EI 120 (v_e i↔o) S

■ For connection following duct → see page 43



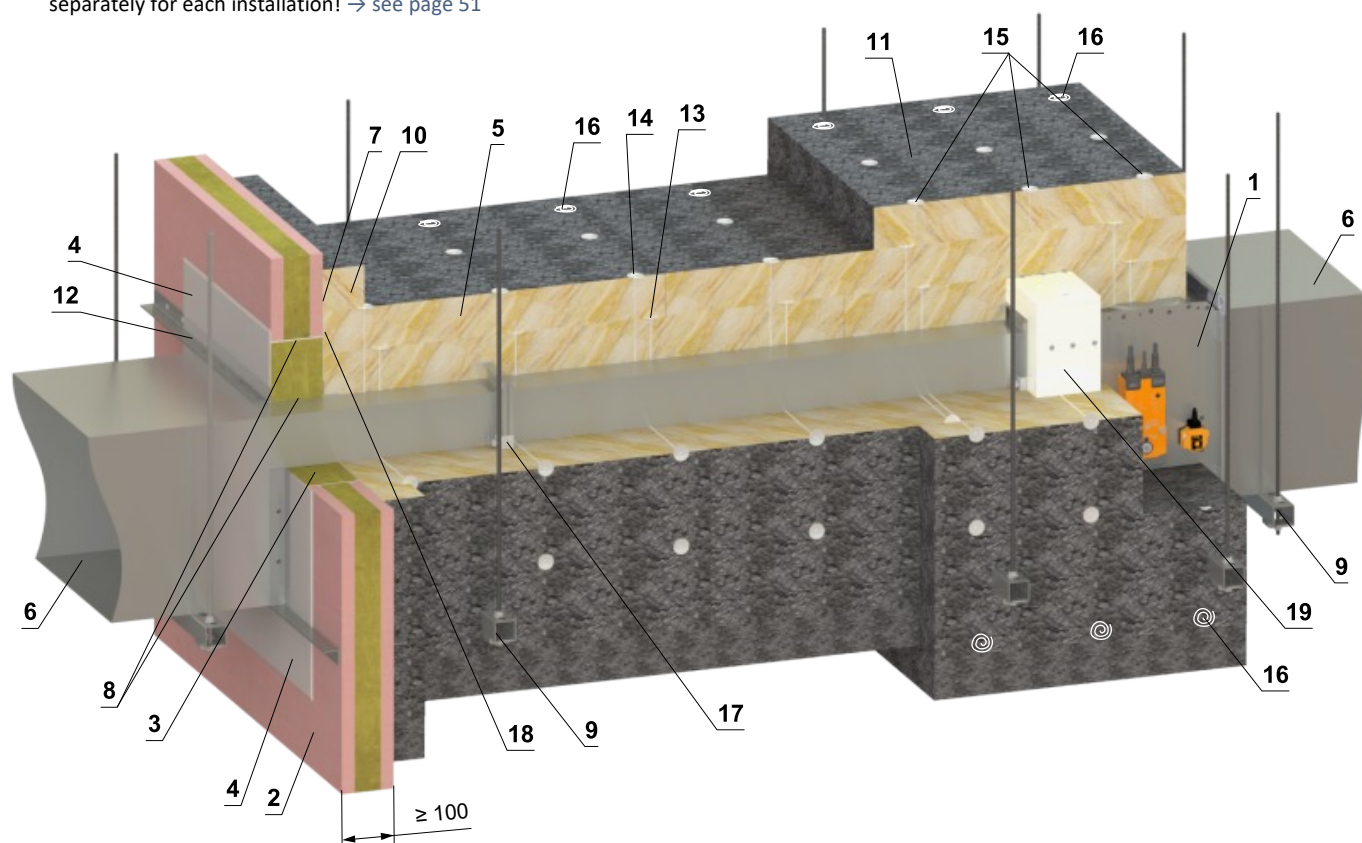
- 1 FDMQ 120
- 2 Gypsum wall construction
- 3 Ablative Coated Batt (e.g. Firestop Board HILTI CFS-CT B 1S 140/50 - min. density 140 kg/m³ + Firestop acrylic sealant HILTI CFS-S ACR or equivalent)
- 4 Fire stop coating thickness 1 mm (e.g. HILTI CFS-CT, PROMASTOP-CC or equivalent)
- 5 Duct
- 6 Protective cladding boards - (not part of the damper) but must be used as part of the penetration filling → see page 52
- 7 Fire resistant mastic - fill the gap on both sides of the fire separation construction and around the perimeter of penetration and damper body. (e.g. HILTI CFS-S ACR)
- 8 Fixing profile with threaded rod → see pages 41 to 42

Installation outside gypsum wall construction

Outside gypsum wall construction - ISOVER Ultimate Protect - Ablative Coated Batt

EI 120 (v_e i↔o) S

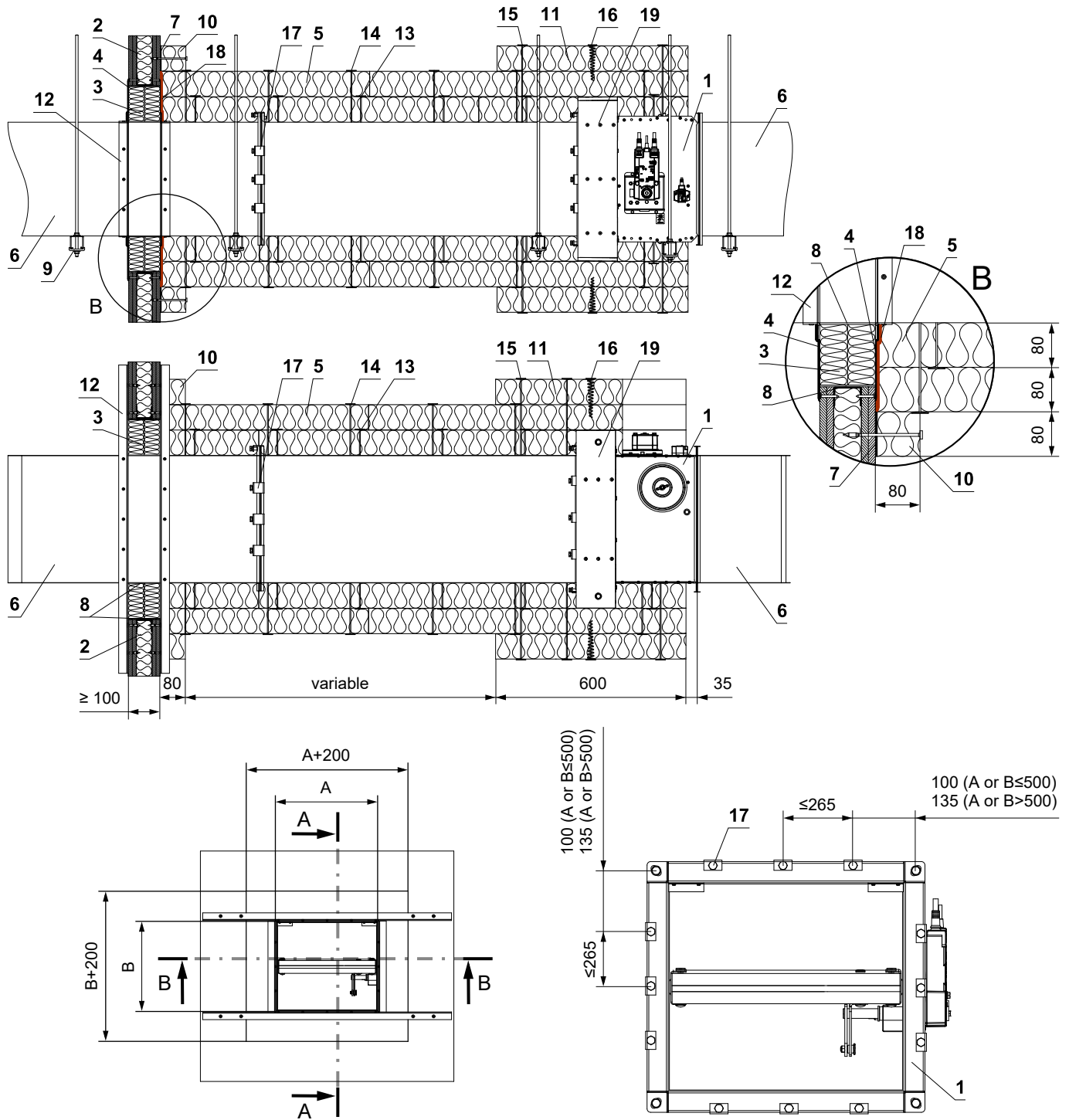
- For connection following duct → see page 43
- Minimum and maximum distance between the wall and the fire damper is unlimited.
- When installing the insulation, follow the ISOVER manufacturer's instructions.
- The fire damper and duct must be suspended separately.
- The duct must be suspended on both sides of the fire damper in accordance with national standards.
- The duct between the fire damper and the fire separating construction must be suspended using threaded rods and mounting profiles or another suspension system in accordance with national standards.
- Fire damper inspection holes are covered with insulation, therefore it's necessary to make an inspection hole in the connecting duct.
- Load on suspension system depends on weight of the fire damper and duct system → see page 41
- Max. length between two suspension systems is 1500 mm.
- Installation must be done in such a way that all load transfer from the fire separating construction to the damper is completely eliminated.
- If the threaded rod is located inside the duct insulation, the distance between the threaded rod and the duct must be max. 30 mm.
- If the threaded rod is located outside the duct insulation, the distance between the threaded rod and the insulation must be max. 40 mm.
- The insulation boards are fastened to the duct.
- Reinforcing frame VRM-Q 120 must always be used for this type of installation. VRM-Q 120 is not part of the fire damper and must be ordered separately for each installation! → see page 51



- | | | | |
|---|--|----|---|
| 1 | FDMQ 120 | 10 | Duct penetration insulation collar - ISOVER Ultimate Protect SLAB 4.0 Alu1, th. 80 mm - glued (pos. 7) and fixed with screws to the wall construction |
| 2 | Gypsum wall construction | 11 | Insulating collar of the damper and duct connection - ISOVER Ultimate Protect SLAB 4.0 Alu1, th. 80 mm |
| 3 | Ablative Coated Batt (e.g. Firestop Board HILTI CFS-CT B 1S 140/50 - min. density 140 kg/m ³ + Firestop acrylic sealant HILTI CFS-S ACR or equivalent) | 12 | L-profile 30x30x3 mm - dimensions and installation acc. to ISOVER manufacturer |
| 4 | Fire stop coating thickness 1 mm (e.g. HILTI CFS-CT, PROMASTOP-CC or equivalent) | 13 | Stud-welded pins 80 mm - quantity and placing acc. to ISOVER manufa. |
| 5 | Insulation board made of stone wool, with a surface treatment of aluminum foil, min. density 66 kg/m ³ (ISOVER Ultimate Protect SLAB 4.0 Alu1, th. 80 mm) | 14 | Stud-welded pins 160 mm - quantity and placing acc. to ISOVER manufa. |
| 6 | Standard air ducts, made of galvanized sheet thickness 0,8 mm, flanges 30 mm, acc. to BS EN 1507 and DIN 24190 | 15 | Stud-welded pins 240 mm - quantity and placing acc. to ISOVER manufa. |
| 7 | ISOVER Protect BSK glue - apply on the insulation and stick it to the fire separation construction | 16 | Fire spiral shaped screws - quantity and placing acc. to ISOVER manufa. |
| 8 | Fire resistant mastic - fill the gap on both sides of the fire separation construction and around the perimeter of penetration and damper body. (e.g. HILTI CFS-S ACR) | 17 | Steel clamp min. M8 bolts |
| 9 | Fixing profile with threaded rod → see pages 41 to 42 | 18 | ISOVER Protect BSF |
| | | 19 | VRM-Q 120 → see page 51 |

(continued on next page)

(continuation of installation Outside gypsum wall construction - ISOVER Ultimate Protect - Ablative Coated Batt)

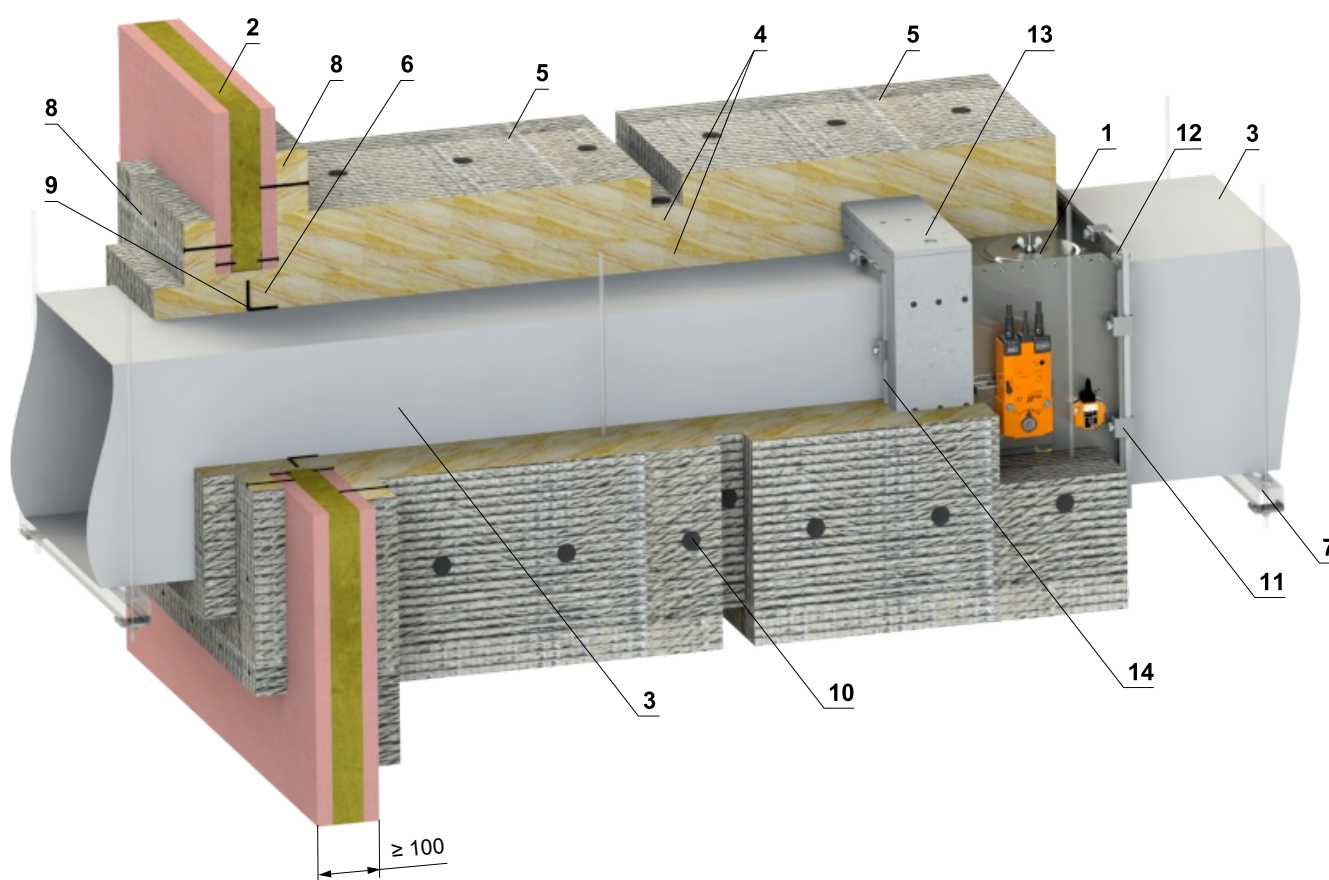


- | | |
|--|--|
| <ul style="list-style-type: none"> 1 FDMQ 120 2 Gypsum wall construction 3 Ablative Coated Batt (e.g. Firestop Board HILTI CFS-CT B 1S 140/50 - min. density 140 kg/m³ + Firestop acrylic sealant HILTI CFS-S ACR or equivalent) 4 Fire stop coating thickness 1 mm (e.g. HILTI CFS-CT, PROMASTOP-CC or equivalent) 5 Insulation board made of stone wool, with a surface treatment of aluminum foil, min. density 66 kg/m³ (ISOVER Ultimate Protect SLAB 4.0 Alu1, th. 80 mm) 6 Standard air ducts, made of galvanized sheet thickness 0,8 mm, flanges 30 mm, acc. to BS EN 1507 and DIN 24190 7 ISOVER Protect BSK glue - apply on the insulation and stick it to the fire separation construction 8 Fire resistant mastic - fill the gap on both sides of the fire separation construction and around the perimeter of penetration and damper body. (e.g. HILTI CFS-S ACR) 9 Fixing profile with threaded rod → see pages 41 to 42 | <ul style="list-style-type: none"> 10 Duct penetration insulation collar - ISOVER Ultimate Protect SLAB 4.0 Alu1, th. 80 mm - glued (pos. 7) and fixed with screws to the wall construction 11 Insulating collar of the damper and duct connection - ISOVER Ultimate Protect SLAB 4.0 Alu1, th. 80 mm 12 L-profile 30x30x3 mm - dimensions and installation acc. to ISOVER manufacturer 13 Stud-welded pins 80 mm - quantity and placing acc. to ISOVER manufa. 14 Stud-welded pins 160 mm - quantity and placing acc. to ISOVER manufa. 15 Stud-welded pins 240 mm - quantity and placing acc. to ISOVER manufa. 16 Fire spiral shaped screws - quantity and placing acc. to ISOVER manufa. 17 Steel clamp min. M8 bolts 18 ISOVER Protect BSF 19 VRM-Q 120 → see page 51 |
|--|--|

Outside gypsum wall construction - Flamebar EN Fire Duct - FPL 110 insulation

EI 120 (v_e i↔o) S

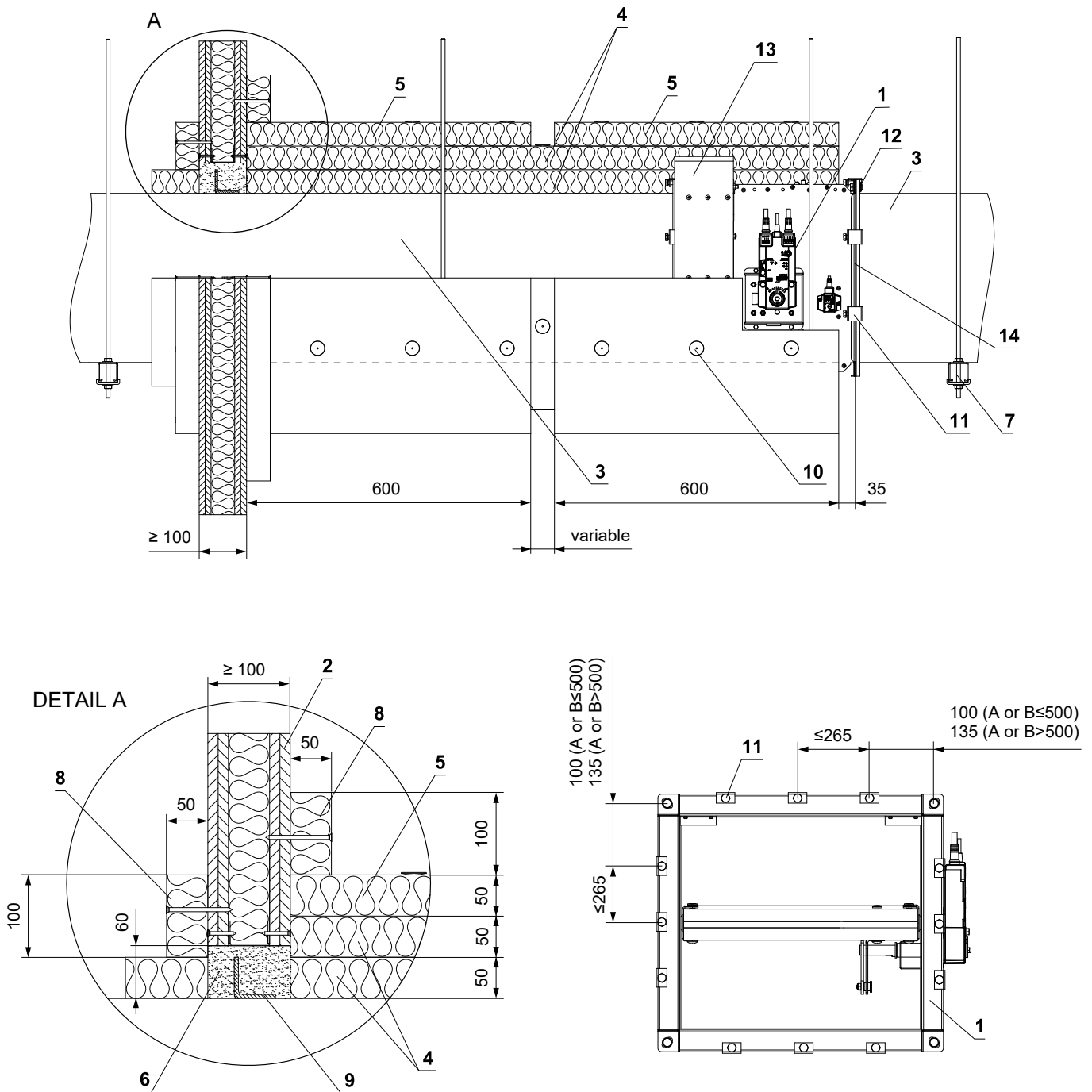
- Minimum and maximum distance between the wall and the fire damper is unlimited.
- The fire damper and duct must be suspended separately.
- The duct must be suspended on both sides of the fire damper in accordance with national standards.
- The duct between the fire damper and the fire separating construction must be suspended using threaded rods and mounting profiles or another suspension system in accordance with national standards.
- Fire damper inspection holes are covered with insulation, therefore it's necessary to install an access door in the connecting duct. (This must be a Flamebar access door if installed in the fire duct.)
- Load on suspension system depends on weight of the fire damper and duct system → see page 41
- Max. length between two suspension systems is 1500 mm.
- Installation must be done in such a way that all load transfer from the fire separating construction to the damper is completely eliminated.
- Reinforcing frame VRM-Q 120 must always be used for this type of installation. VRM-Q 120 is not part of the fire damper and must be ordered separately for each installation! → see page 51



- | | |
|--|---|
| <p>1 FDMQ 120</p> <p>2 Gypsum wall construction</p> <p>3 Flamebar EN fire Duct - made of galvanised sheet metal, thickness is dependant on duct size, type BW18 fire sprayed with Flamebar BW18 (insulated duct), type BW11 fire sprayed with Flamebar BW11 (not insulated duct)</p> <p>4 Insulation - two layers of stone wool FPL 110 SLAB, thickness 2x 50 mm, density 105 kg/m³, the second layer of insulation is provided with aluminium foil on the outside (FPL 110 FOIL FACED SLAB) - visible edges of mineral wool are covered with self-adhesive aluminium tape</p> <p>5 Insulation collar - additional insulation of the fire damper and gypsum wall construction - third layer of insulation FPL 110 FOIL FACED SLAB, thickness 50 mm and width 600 mm</p> <p>6 Filling - FPL 110 mineral wool - fill the gap between the duct and the wall</p> <p>7 Fixing profile with threaded rod → see pages 41 to 42</p> | <p>8 Penetration insulation pattern - FPL 110 FOIL FACED SLAB, thickness 50 mm - glued with Idenden 10-450 and fixed with screws to the wall construction</p> <p>9 Reinforcement of the duct - steel L-profile 50x50x5 mm or flange to Flamebar spec. on all sides of the duct within 100 mm of the wall</p> <p>10 Insulation pins - riveted to the duct - after the insulation boards are pushed over the insulation pins, secure the ends with disc plates in each insulation layer</p> <p>11 Steel clamp - flange connection with Flamebar G-Clamps with M8 bolts, max. spacing 200 mm</p> <p>12 Bolt assembly - flange connection at corners - M10 bolt and nut</p> <p>13 VRM-Q 120 → see page 51</p> <p>14 Sealing - all joints between duct segments are insulated with Flamebar Fibre Gasket self-adhesive tape and Flamebar Intumescent Sealant</p> |
|--|---|

(continued on next page)

(continuation of installation Outside gypsum wall construction - FPL duct - Rockwool insulation)

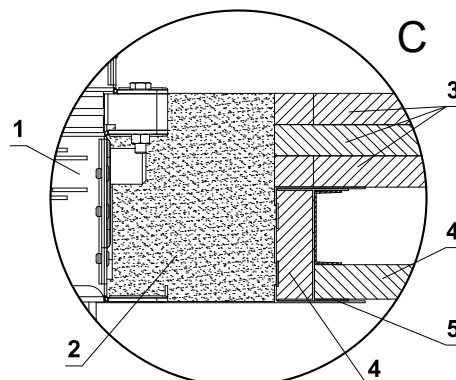
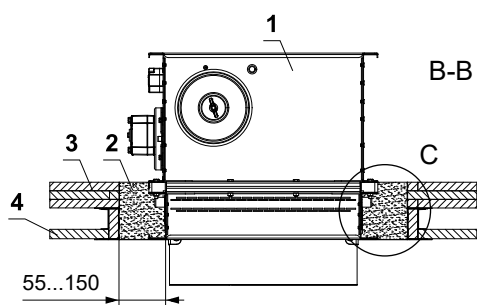
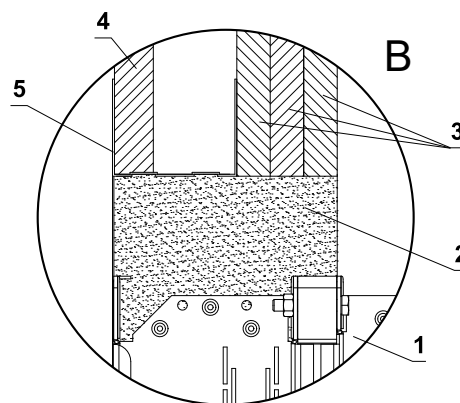
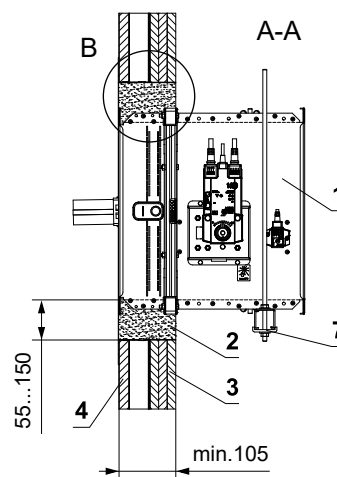
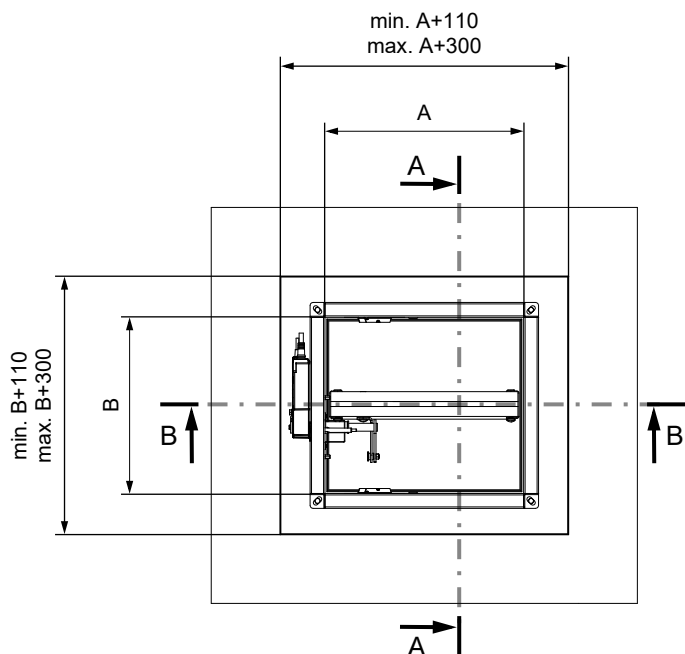
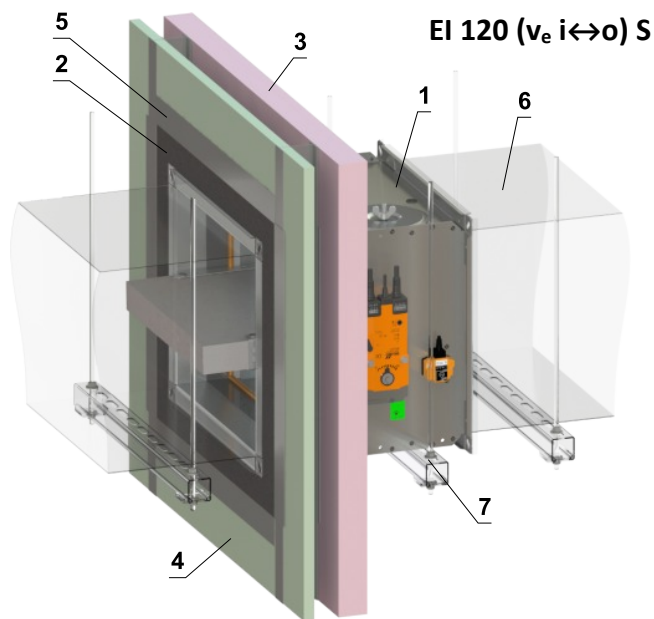


- 1 FDMQ 120
- 2 Gypsum wall construction
- 3 Flamebar EN fire Duct - made of galvanised sheet metal, thickness is dependant on duct size, type BW18 fire sprayed with Flamebar BW18 (insulated duct), type BW11 fire sprayed with Flamebar BW11 (not insulated duct)
- 4 Insulation - two layers of stone wool FPL 110 SLAB, thickness 2x 50 mm, density 105 kg/m³, the second layer of insulation is provided with aluminium foil on the outside (FPL 110 FOIL FACED SLAB) - visible edges of mineral wool are covered with self-adhesive aluminium tape
- 5 Insulation collar - additional insulation of the fire damper and gypsum wall construction - third layer of insulation FPL 110 FOIL FACED SLAB, thickness 50 mm and width 600 mm
- 6 Filling - FPL 110 mineral wool - fill the gap between the duct and the wall
- 7 Fixing profile with threaded rod → see pages 41 to 42
- 8 Penetration insulation pattress - FPL 110 FOIL FACED SLAB, thickness 50 mm - glued with Idenden 10-450 and fixed with screws to the wall construction
- 9 Reinforcement of the duct - steel L-profile 50x50x5 mm or flange to Flamebar spec. on all sides of the duct within 100 mm of the wall
- 10 Insulation pins - riveted to the duct - after the insulation boards are pushed over the insulation pins, secure the ends with disc plates in each insulation layer
- 11 Steel clamp - flange connection with Flamebar G-Clamps with M8 bolts, max. spacing 200 mm
- 12 Bolt assembly - flange connection at corners - M10 bolt and nut
- 13 VRM-Q 120 → see page 51
- 14 Sealing - all joints between duct segments are insulated with Flamebar Fibre Gasket self-adhesive tape and Flamebar Intumescent Sealant

Installation in shaft wall

In shaft wall - mortar or gypsum

- For connection following duct → see page 43
- Maximum size for FDMQ 120 in shaftwall is 1500mm x 650mm
- Damper can be installed on either side of the wall.
- It is possible to use e.g. wall type A306030, A306035... from www.british-gypsum.com or RNS 121, RNS 122... from www.siniat.co.uk
- It is possible to use walls that have the same or greater thickness and density of boards than the walls listed below (more layers of boards can also be used)
- Follow the instructions of the shaft wall manufacturer.



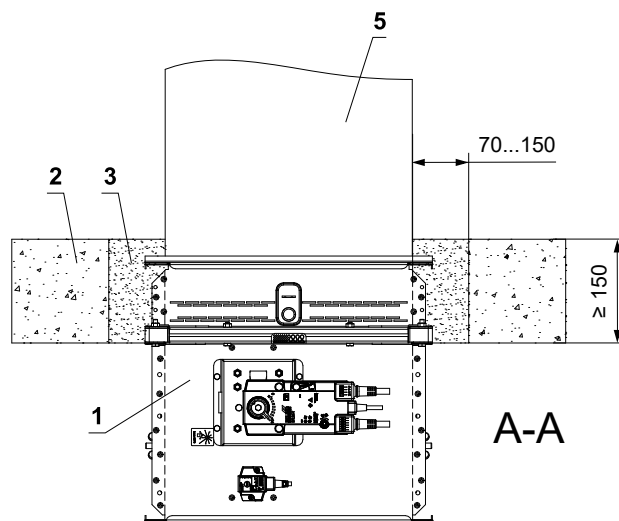
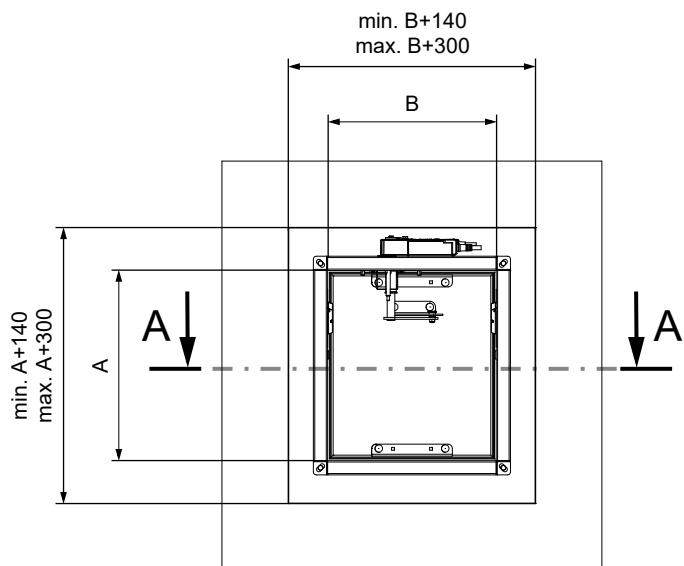
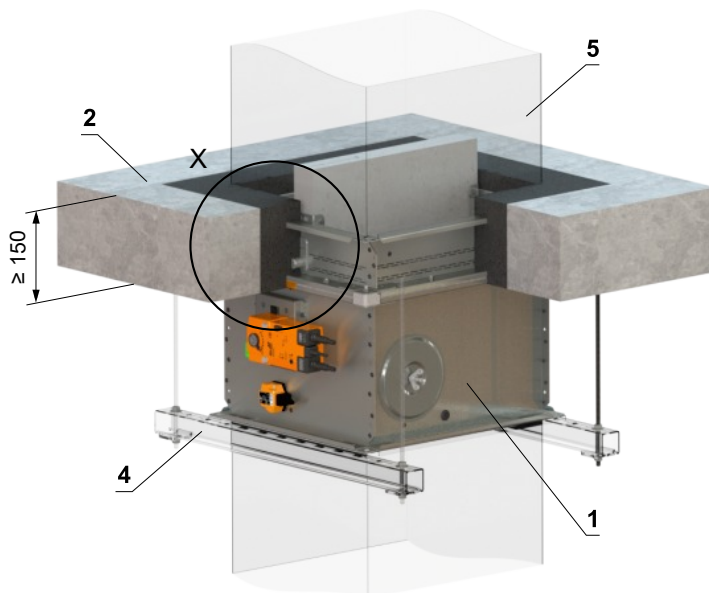
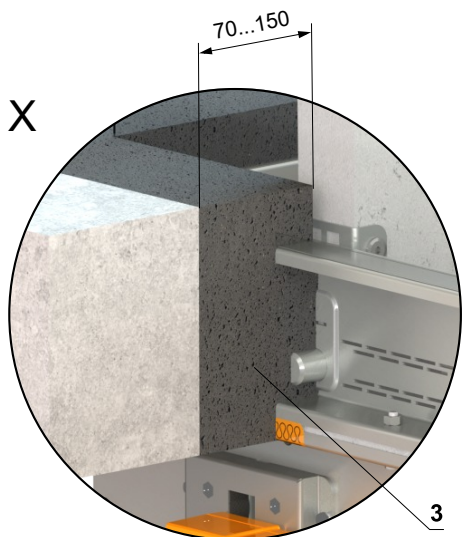
- 1 FDMQ 120
- 2 British gypsum thistle bond 60 (or equivalent can be used) minimum density 670 kg/m³
- 3 Plasterboard BS EN 520 - Type F - min. 3x15 mm
- 4 Plasterboard BS EN 520 - Type F - min. 1x19 mm
- 5 Plasteboard profile
- 6 Duct
- 7 Fixing profile with threaded rod → see pages 41 to 42

Installation in solid ceiling construction

In solid ceiling construction - mortar or gypsum

El 120 (h_o i↔o) S - 500 Pa

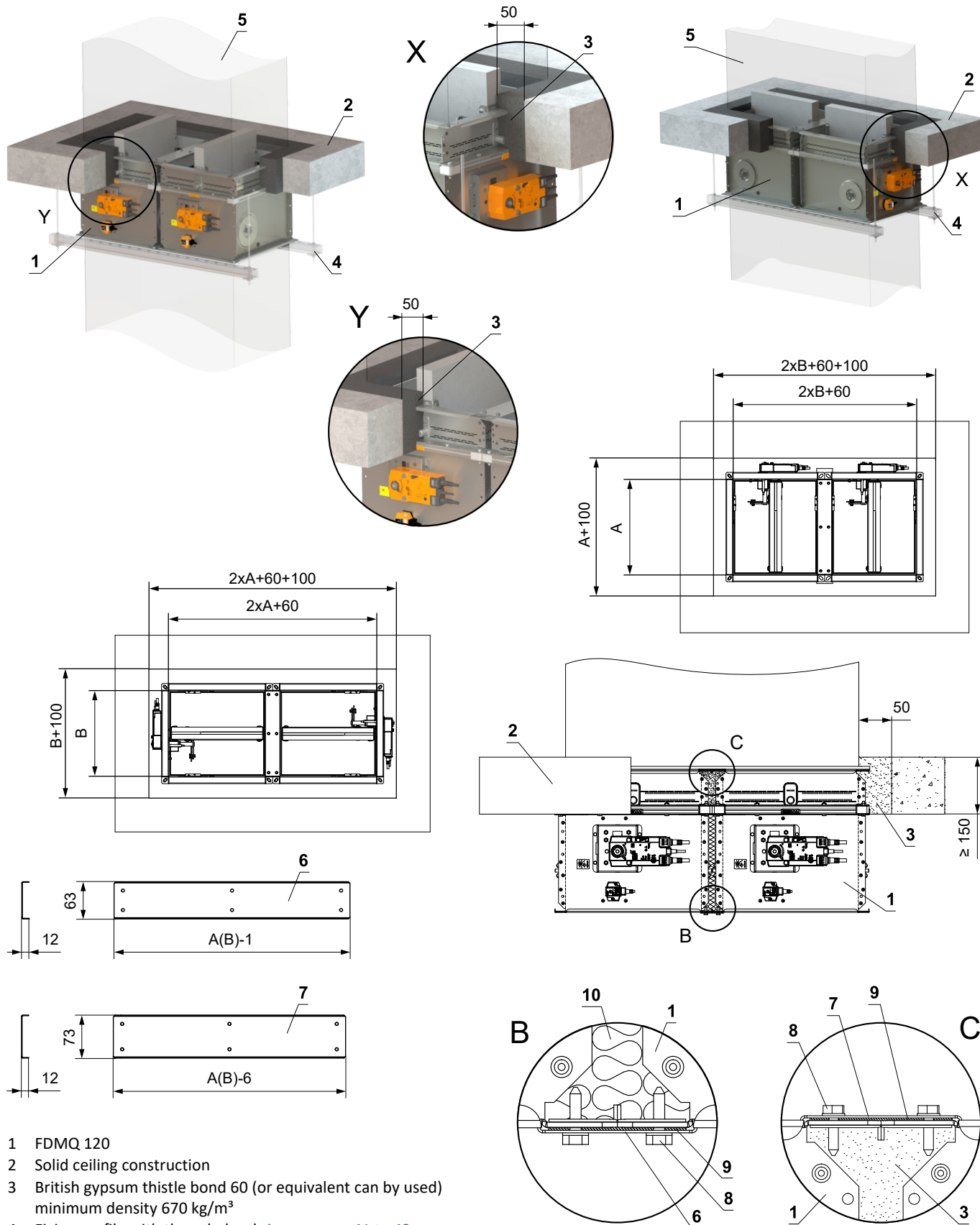
- For connection following duct → see page 43
- This installation was tested without supports. Supports are optional, if are used, follow the manufacturer's instructions and national standards.



- 1 FDMQ 120
- 2 Solid ceiling construction
- 3 British gypsum thistle bond 60 (or equivalent can by used) minimum density 670 kg/m³
- 4 Fixing profile with threaded rod → see pages 41 to 42
- 5 Duct

In solid ceiling construction - 2 dampers in battery - mortar or gypsum

EI 120 (h_o i↔o) S

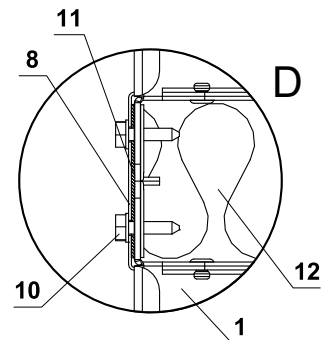
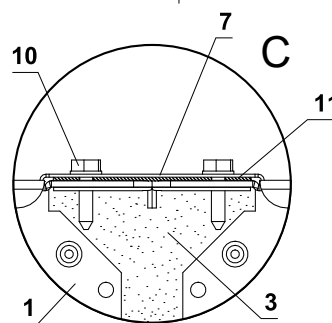
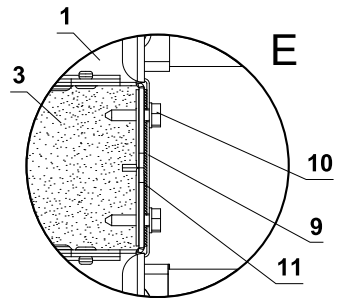
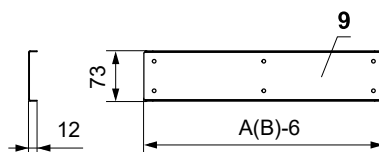
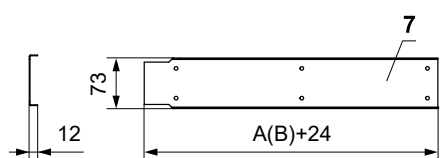
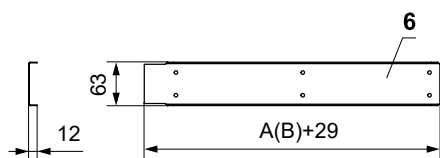
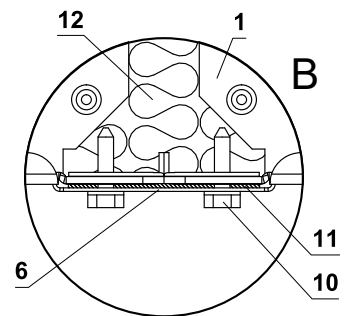
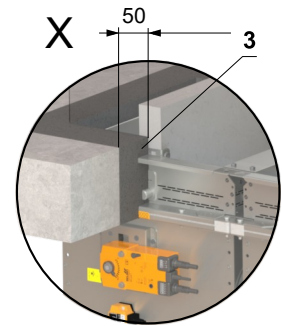
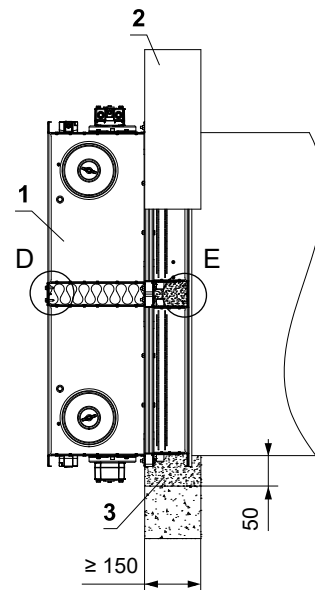
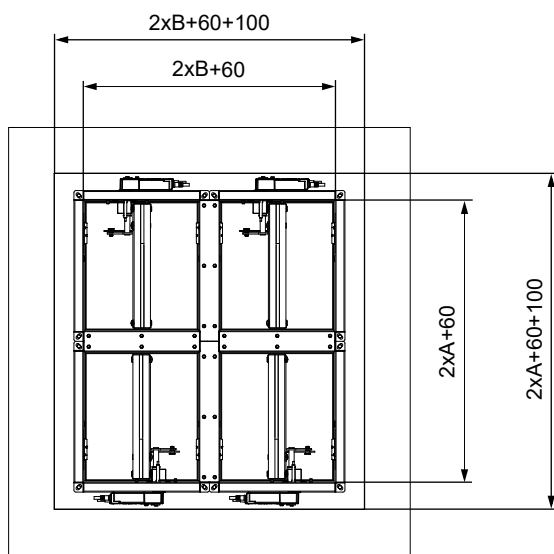
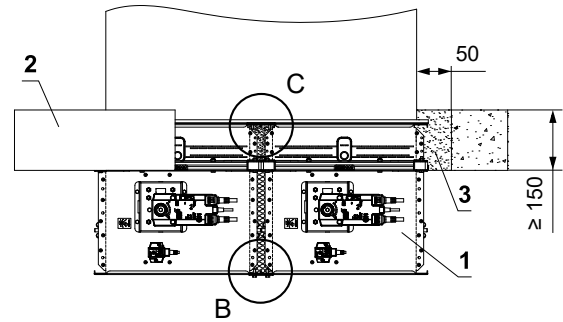
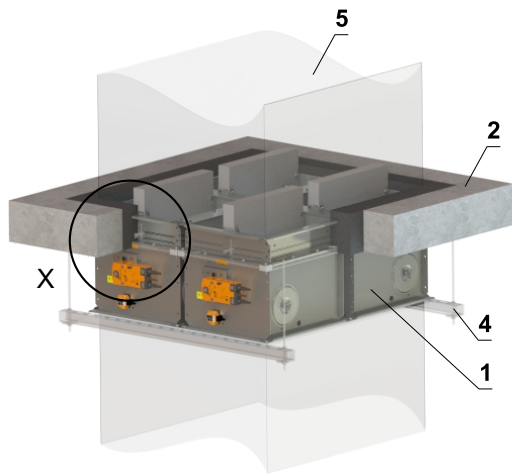


- 1 FDMQ 120
- 2 Solid ceiling construction
- 3 British gypsum thistle bond 60 (or equivalent can be used) minimum density 670 kg/m³
- 4 Fixing profile with threaded rod → see pages 41 to 42
- 5 Duct
- 6 U-profile type 3
- 7 U-profile type 1
- 8 Screw TEK 4,8x18 mm (span ≤ 200 mm)
- 9 Seal
- 10 Insulation board made of stone wool, min. density 66 kg/m³ (e.g. ISOVER Ultimate Protect SLAB 4), th. 60 mm

- For connection following duct → see page 43
- Gap between damper and construction is filled by mortar or gypsum
- This installation was tested without supports. Supports are optional, if are used, follow the manufacturer's instructions and national standards.

In solid ceiling construction - 4 dampers in battery - mortar or gypsum

EI 120 (h_o i↔o) S



- 1 FDMQ 120
- 2 Solid ceiling construction
- 3 British gypsum thistle bond 60 (or equivalent can be used) minimum density 670 kg/m³
- 4 Fixing profile with threaded rod → see pages 41 to 42
- 5 Duct
- 6 U-profile type 2
- 7 U-profile type 4
- 8 U-profile type 1
- 9 U-profile type 3
- 10 Screw TEK 4,8x18 mm (span ≤ 200 mm)
- 11 Seal
- 12 Insulation board made of stone wool, min. density 66 kg/m³ (e.g. ISOVER Ultimate Protect SLAB 4), th. 60 mm

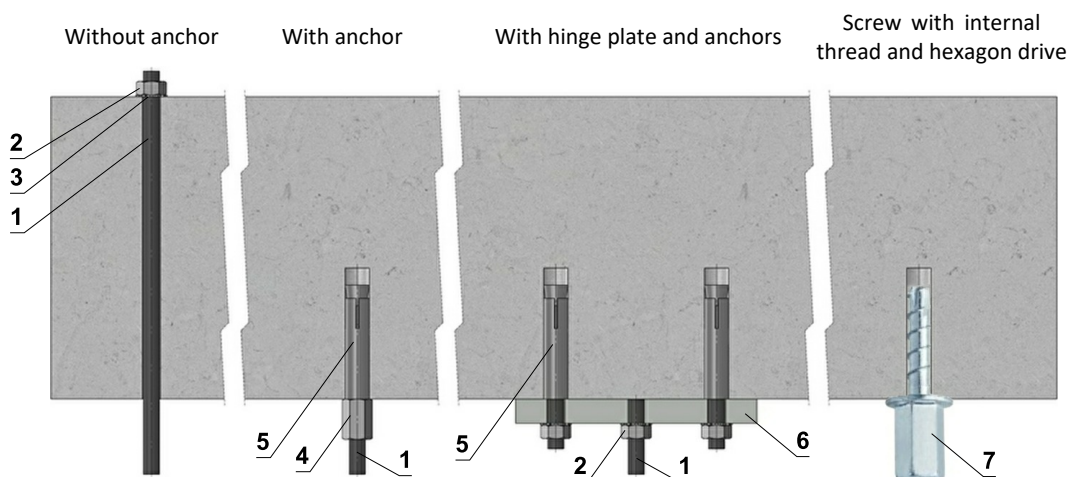
- For connection following duct → see page 43
- Gap between damper and construction is filled by mortar or gypsum
- This installation was tested without supports. Supports are optional, if are used, follow the manufacturer's instructions and national standards.

V. SUSPENSION SYSTEMS

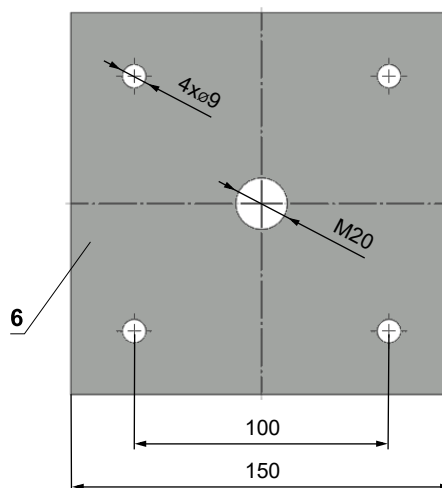
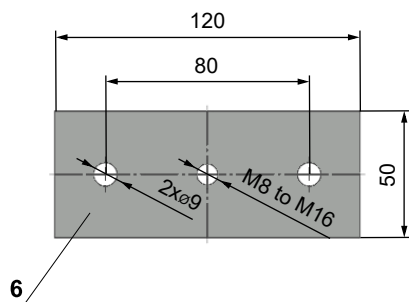
Mounting to the ceiling wall

- The dampers must be suspended using threaded rods and mounting profiles. Their dimensioning depend on the weight of the damper.
- The dampers and the duct must be suspended separately.
- Following air-conditioning duct must be suspended or supported so that all load transfer from the following duct to the damper flanges is absolutely excluded. Adjacent duct must be suspended or supported, as required by the duct suppliers.
- Threaded rods longer than 1,5 m must be protected by fire insulation.

Examples of anchoring to the ceiling construction Follow the instructions of fixing specialist or installation company



Hinge plates



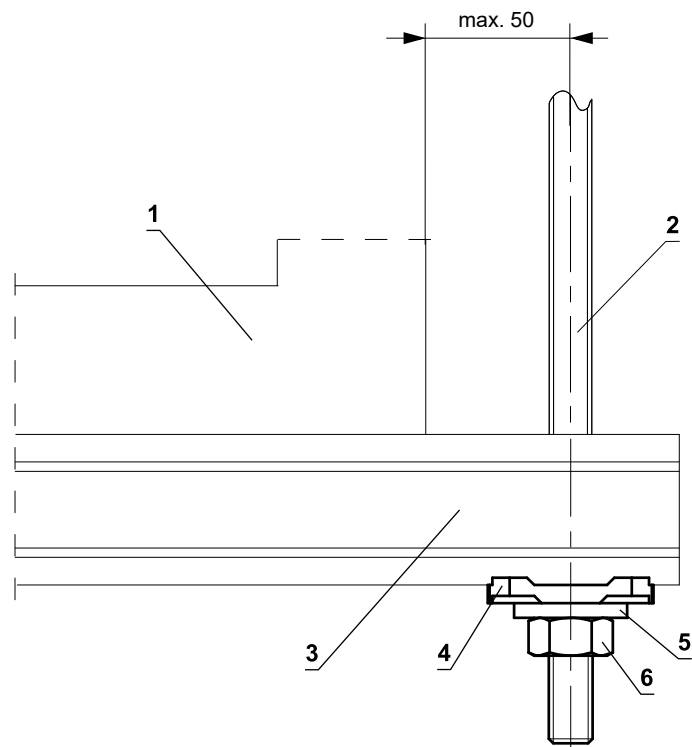
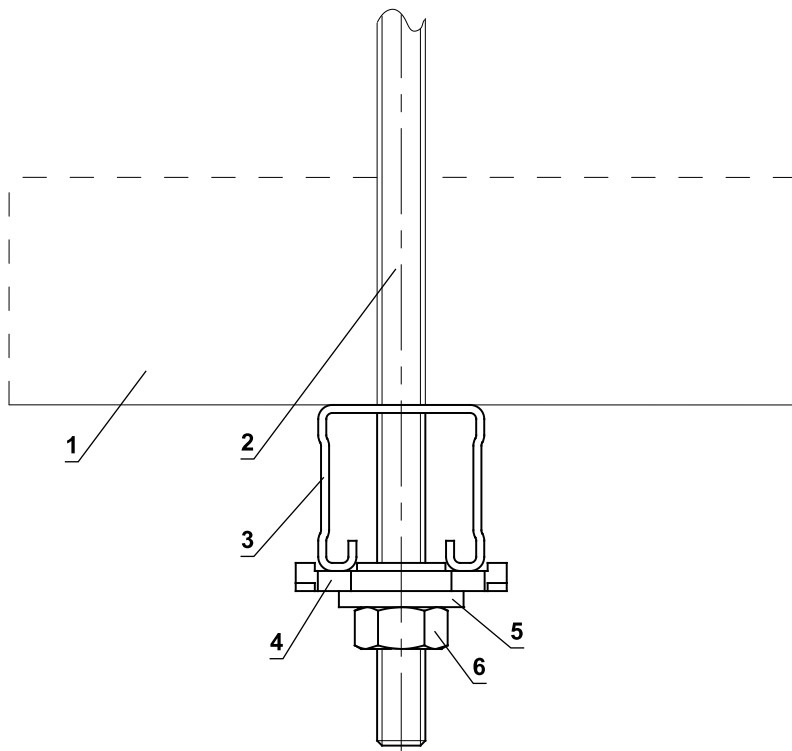
- If in doubt, always consult an anchor specialist engineer such as Halfen or Hilti.

Load capacities of threaded rods at the required fire resistance 60 min. $t \le 120 \text{ min.}$

Size	As [mm ²]	Weight [kg]	
		for 1 rod	for 2 rods
M8	36,6	22	44
M10	58	35	70
M12	84,3	52	104
M16	157	96	192
M18	192	117	234
M20	245	150	300

- 1 Threaded rod M8 - M20
- 2 Nut M8 - M20
- 3 Washer for M8 - M20
- 4 Coupling Nut M8 - M20
- 5 Anchor
- 6 Hinge plate - min. thickness 10 mm
- 7 Concrete screw tested for fire resistance R30-R90, max. Tension up to 0.75 KN (length 35 mm)

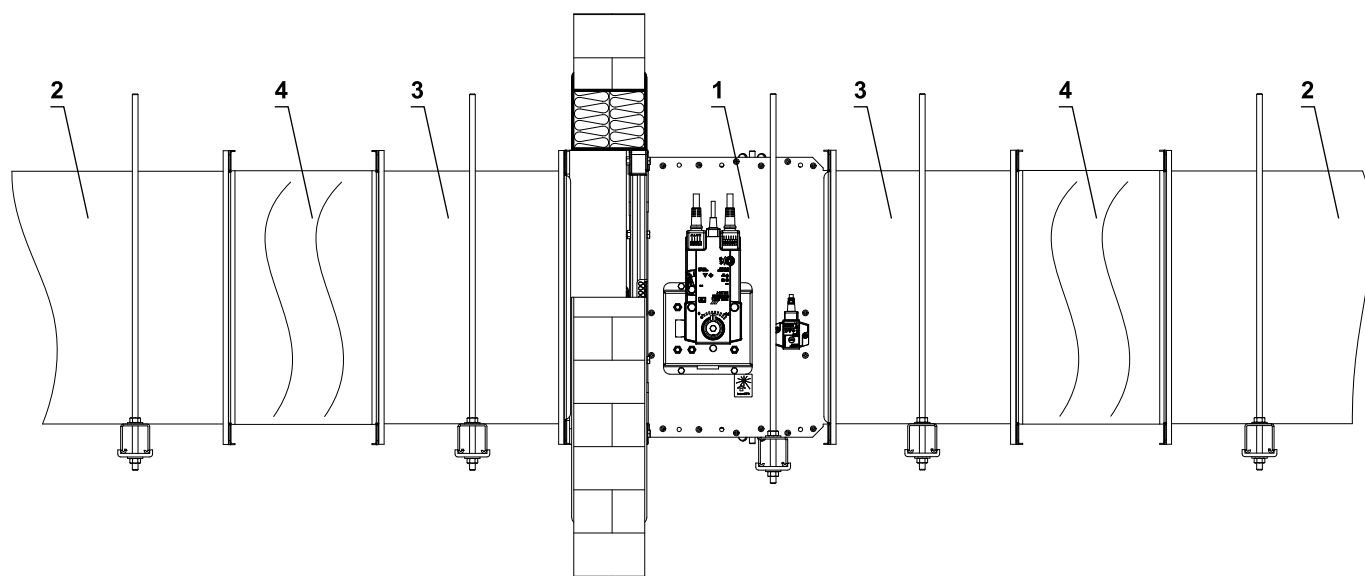
Example of placing of mounting profiles HILTI



- 1 FDMQ 120
- 2 Threaded rod M8 - M20
- 3 Support HILTI MQ-41 (or MQ-41/3 or equivalent)
- 4 Bored plate HILTI MQZ-L or equivalent
- 5 Washer for M8 - M20
- 6 Nut M8 - M20

■ Dimension elements of the suspension system acc. to the weight of the damper, → see page 41

Example of duct connection



- 1 FDMQ 120
- 2 Connecting air duct
- 3 Extension piece (if required)
- 4 Damping pad or breakaway connection as DW 144

VI. TECHNICAL DATA

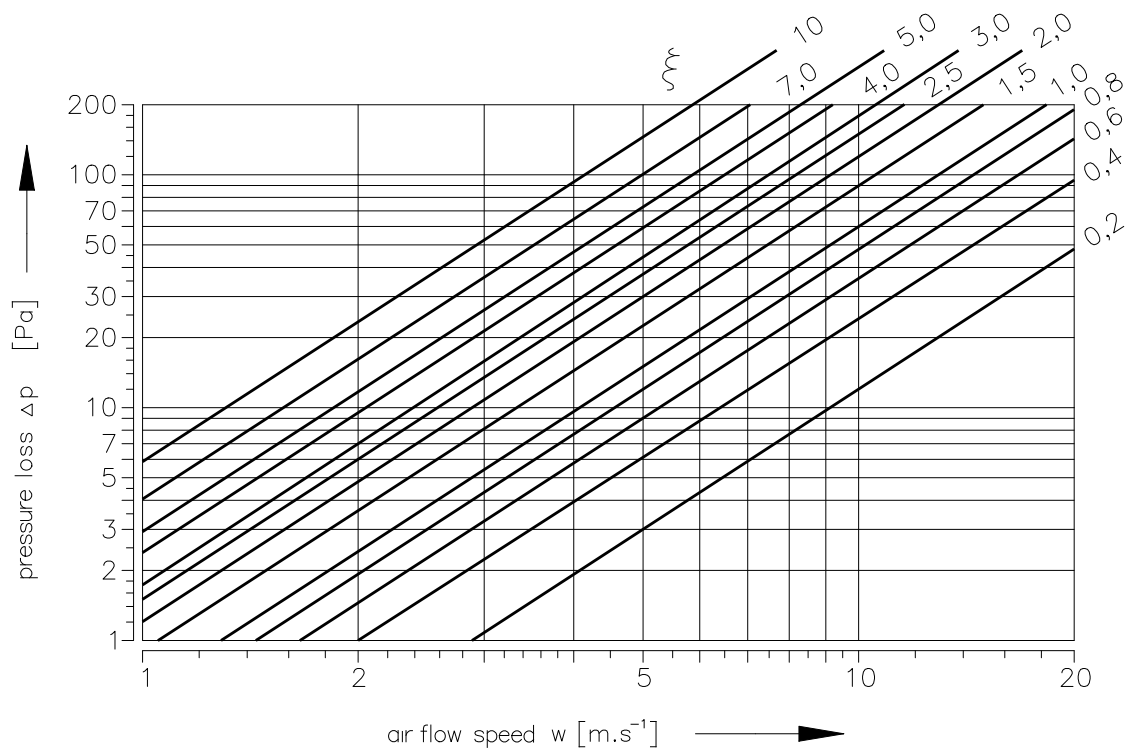
Pressure loss

Pressure loss calculation

$$\Delta p = \xi \cdot \rho \cdot \frac{w^2}{2}$$

Δp	[Pa]	pressure loss
w	[m/s]	air flow speed in nominal damper section
ρ	[kg/m ³]	air density
ξ	[-]	coefficient of local pressure loss for the nominal damper section → see page 45

Determination of pressure loss by using diagram $\rho = 1,2 \text{ kg/m}^3$



Coefficient of local pressure loss

B	A													
	150	180	200	225	250	280	300	315	355	400	450	500	550	560
150	3,522	3,307	3,081	2,980	2,850	2,704	2,629	2,510	2,421	2,326	2,252	2,187	2,166	2,139
180	2,557	2,389	2,236	2,153	2,064	1,962	1,889	1,802	1,727	1,664	1,610	1,569	1,547	1,529
200	1,972	1,843	1,723	1,653	1,590	1,502	1,451	1,383	1,325	1,276	1,235	1,201	1,186	1,172
225	1,522	1,465	1,321	1,197	1,173	1,141	1,106	1,067	1,015	0,964	0,948	0,917	0,891	0,881
250	1,249	1,164	1,083	1,044	1,008	0,952	0,902	0,867	0,828	0,799	0,772	0,752	0,739	0,732
280	1,133	1,032	1,002	0,960	0,926	0,881	0,827	0,781	0,728	0,705	0,685	0,673	0,665	0,650
300	1,041	0,947	0,896	0,861	0,823	0,775	0,729	0,677	0,648	0,635	0,601	0,592	0,587	0,584
315	0,865	0,803	0,749	0,724	0,693	0,658	0,618	0,595	0,569	0,546	0,527	0,513	0,503	0,499
355	0,735	0,684	0,638	0,609	0,585	0,556	0,528	0,506	0,483	0,464	0,448	0,436	0,428	0,424
400	0,640	0,596	0,555	0,529	0,509	0,481	0,463	0,439	0,420	0,402	0,389	0,377	0,371	0,367
450	0,567	0,527	0,490	0,470	0,452	0,430	0,405	0,387	0,370	0,355	0,343	0,332	0,330	0,324
500	0,514	0,478	0,443	0,426	0,413	0,387	0,369	0,350	0,334	0,321	0,310	0,301	0,298	0,293
550	0,490	0,455	0,421	0,405	0,390	0,367	0,344	0,326	0,317	0,300	0,289	0,287	0,278	0,275
560	0,469	0,434	0,404	0,390	0,371	0,349	0,334	0,318	0,303	0,291	0,281	0,273	0,270	0,266
600	0,439	0,409	0,384	0,368	0,355	0,333	0,316	0,301	0,289	0,281	0,270	0,259	0,253	0,244
630	0,429	0,398	0,370	0,357	0,343	0,322	0,306	0,291	0,278	0,267	0,257	0,250	0,237	0,243
650	-	0,379	0,356	0,342	0,329	0,309	0,297	0,284	0,266	0,257	0,250	0,240	0,229	0,233
700	-	0,375	0,348	0,333	0,321	0,306	0,289	0,275	0,262	0,250	0,244	0,234	0,222	0,221
710	-	0,368	0,343	0,329	0,316	0,300	0,285	0,268	0,257	0,247	0,237	0,230	0,219	0,219
750	-	0,354	0,330	0,321	0,309	0,286	0,271	0,260	0,246	0,238	0,230	0,222	0,219	0,215
800	-	0,344	0,320	0,309	0,297	0,282	0,264	0,251	0,239	0,229	0,221	0,215	0,211	0,209

B	A													
	600	630	650	700	710	750	800	900	1000	1100	1250	1400	1500	
150	2,112	2,091	2,083	2,067	2,062	2,044	2,029	1,992	1,972	-	-	-	-	
180	1,513	1,495	1,480	1,469	1,462	1,449	1,436	1,412	1,394	1,377	1,363	1,348	1,340	
200	1,154	1,144	1,131	1,123	1,120	1,109	1,099	1,080	1,066	1,053	1,040	1,031	1,024	
225	0,874	0,861	0,841	0,833	0,824	0,817	0,810	0,795	0,785	0,775	0,758	0,744	0,740	
250	0,725	0,714	0,705	0,704	0,698	0,693	0,685	0,673	0,665	0,656	0,648	0,641	0,638	
280	0,645	0,641	0,617	0,612	0,606	0,601	0,593	0,585	0,576	0,563	0,549	0,540	0,530	
300	0,569	0,554	0,550	0,549	0,548	0,541	0,532	0,524	0,507	0,496	0,490	0,488	0,480	
315	0,493	0,487	0,481	0,479	0,476	0,470	0,467	0,459	0,452	0,447	0,442	0,436	0,434	
355	0,419	0,414	0,408	0,405	0,404	0,399	0,397	0,389	0,384	0,379	0,374	0,370	0,368	
400	0,363	0,358	0,352	0,351	0,350	0,345	0,343	0,336	0,331	0,327	0,324	0,321	0,318	
450	0,319	0,315	0,311	0,310	0,309	0,306	0,301	0,296	0,293	0,289	0,286	0,281	0,280	
500	0,288	0,285	0,284	0,281	0,279	0,276	0,273	0,268	0,264	0,261	0,258	0,256	0,254	
550	0,272	0,269	0,264	0,259	0,256	0,254	0,253	0,248	0,245	0,242	0,237	0,234	0,232	
560	0,264	0,259	0,256	0,255	0,253	0,250	0,248	0,244	0,240	0,236	0,233	0,231	0,230	
600	0,242	0,241	0,239	0,238	0,237	0,233	0,228	0,226	0,222	0,219	0,216	0,214	0,212	
630	0,240	0,237	0,234	0,233	0,232	0,229	0,226	0,223	0,220	0,217	0,213	0,211	0,209	
650	0,230	0,227	0,225	0,223	0,222	0,219	0,216	0,210	0,208	0,206	0,201	0,198	0,196	
700	0,219	0,219	0,218	0,217	0,215	0,213	0,211	0,207	0,204	0,202	0,199	0,196	0,194	
710	0,217	0,217	0,216	0,215	0,214	0,212	0,209	0,205	0,201	0,199	0,197	0,195	0,193	
750	0,211	0,208	0,206	0,205	0,204	0,203	0,201	0,197	0,193	0,189	0,187	0,185	0,183	
800	0,206	0,203	0,201	0,200	0,199	0,197	0,194	0,191	0,188	0,186	0,183	0,182	0,181	

Noise data

Level of acoustic output corrected with filter A

$$L_{WA} = L_{W1} + 10 \log(S) + K_A$$

L_{WA}	[dB(A)]	level of acoustic output corrected with filter A
L_{W1}	[dB]	level of acoustic output L_{W1} related to the 1 m ² section
S	[m ²]	duct cross section
K_A	[dB]	correction to the weight filter A

Level of acoustic output in octave ranges

$$L_{Woct} = L_{W1} + 10 \log(S) + L_{rel}$$

L_{Woct}	[dB]	spectrum of acoustic output in octave range
L_{W1}	[dB]	level of acoustic output L_{W1} related to the 1 m ² section
S	[m ²]	duct cross section
L_{rel}	[dB]	relative level expressing the shape of the spectrum

Tables of acoustics values

Level of acoustic output L_{W1} [dB] related to the 1 m ² section																	
w [m/s]	ξ [-]																
	0,2	0,3	0,4	0,5	0,6	0,7	0,8	0,9	1	1,5	2	2,5	3	4	5	8	10
2	15,5	18,7	20,9	22,6	24	25,2	26,3	27,2	28	31,2	33,4	35,1	36,5	38,8	40,5	44,2	45,9
3	26,1	29,2	31,5	33,2	34,6	35,8	36,9	37,8	38,6	41,7	44	45,7	47,1	49,4	51,1	54,7	56,5
4	33,6	36,7	39	40,7	42,1	43,3	44,3	45,3	46,1	49,2	51,5	53,2	54,6	56,9	58,6	62,2	64
5	39,4	42,5	44,8	46,5	47,9	49,1	50,2	51,1	51,9	55	57,3	59	60,4	62,7	64,4	68	69,8
6	44,1	47,3	49,5	51,3	52,7	53,9	54,9	55,8	56,6	59,8	62	63,8	65,2	67,4	69,2	72,8	74,5
7	48,2	51,3	53,5	55,3	56,7	57,9	58,9	59,8	60,7	63,8	66,1	67,8	69,2	71,4	73,2	76,8	78,6
8	51,6	54,8	57	58,8	60,2	61,4	62,4	63,3	64,1	67,3	69,5	71,3	72,7	74,9	76,7	80,3	82
9	54,7	57,9	60,1	61,8	63,2	64,4	65,5	66,4	67,2	70,4	72,6	74,3	75,7	78	79,7	83,4	85,1
10	57,4	60,6	62,8	64,6	66	67,2	68,2	69,1	70	73,1	75,3	77,1	78,5	80,7	82,5	86,1	87,9
11	59,9	63,1	65,3	67,1	68,5	69,7	70,7	71,6	72,4	75,6	77,8	79,6	81	83,2	85	88,6	90,3
12	62,2	65,4	67,6	69,3	70,7	71,9	73	73,9	74,7	77,9	80,1	81,8	83,2	85,5	87,2	90,9	92,6

Correction to the weight filter A											
w [m/s]	2	3	4	5	6	7	8	9	10	11	12
K_A [dB]	-15	-11,8	-9,8	-8,4	-7,3	-6,4	-5,7	-5	-4,5	-4	-3,6

Relative level expressing the shape of the spectrum L_{rel}								
w [m/s]	f [Hz]							
	63	125	250	500	1000	2000	4000	8000
2	-4,5	-6,9	-10,9	-16,7	-24,1	-33,2	-43,9	-56,4
3	-3,9	-5,3	-8,4	-13,1	-19,5	-27,6	-37,4	-48,9
4	-3,9	-4,5	-6,9	-10,9	-16,7	-24,1	-33,2	-43,9
5	-4	-4,1	-5,9	-9,4	-14,6	-21,5	-30,0	-40,3
6	-4,2	-3,9	-5,3	-8,4	-13,1	-19,5	-27,6	-37,4
7	-4,5	-3,9	-4,9	-7,5	-11,9	-17,9	-25,7	-35,1
8	-4,9	-3,9	-4,5	-6,9	-10,9	-16,7	-24,1	-33,2
9	-5,2	-3,9	-4,3	-6,4	-10,1	-15,6	-22,7	-31,5
10	-5,5	-4	-4,1	-5,9	-9,4	-14,6	-21,5	-30
11	-5,9	-4,1	-4	-5,6	-8,9	-13,8	-20,4	-28,8
12	-6,2	-4,3	-3,9	-5,3	-8,4	-13,1	-19,5	-27,6

VII. MATERIAL, FINISHING

- Damper casings are made from galvanized sheet metal without further surface treatment.
- Damper blades are made from fire resistant asbestos free boards made of mineral fibres.
- Manual control have cover made of mechanically resistant and durable plastic and the other parts are galvanized without further surface treatment.
- Thermal fuses are made of sheet brass, thickness 0,5 mm.
- Fasteners and springs are galvanized.
- According to the customer's requirements, dampers can be made of stainless steel material.

Specifications for stainless-steel design:

- Class A2 – Food-grade stainless steel (AISI 304 – BS EN 1.4301)
- Class A4 – Chemistry-grade stainless steel (AISI 316, 316L – BS EN 1.4401, BS EN 1.4404)

The respective stainless steel is the material for all components that are located or entering the damper inner space; components outside the damper casing are typically from galvanised sheet metal (fasteners for mounting the actuator or manual control, mechanical components except Item 4), frame components.

The following components, including the fasteners, are made from stainless steel at all times:

- 1) Damper casing and all components permanently attached
- 2) Blade holders including pins, metal parts of blades
- 3) Control components inside the damper (L-profile, pin with lever, rod, fasteners)
- 4) Parts of a manual control entering the inner space of a damper casing (lower sheet of a manual control, lock holder "1", lock lever "2", closing spring, 8 dia. stopper pin, manual control pin)
- 5) Inspection opening cover including the stirrup and fasteners (if they are parts of the cover)
- 6) Bearing for torque transfer from the lever with pin on the blade L-profile (made from AISI 440C)

The damper blade is made from boards of homogeneous material Promatect-H, connected with galvanized "U" clips on the outside, sealed with Promat K84 glue.

Thermal fuse is identical for all material variants of the dampers. Upon specification by customer, the thermal fuse can be made from A4 from stainless steel sheet metal.

Thermoelectric activation device BAT is modified for stainless-steel variant of the dampers; standard galvanised screws are replaced with stainless-steel M4 screws of corresponding class. Damper casing has stainless-steel riveting M4 nuts.

Plastic, rubber and silicon components, sealants, foaming tapes, glass-ceramic seals, housings, brass bearings of the blade, actuators, and end switches are identical for all material variants of the dampers.

Some fasteners and components are only available in one class of stainless steel; the type will be used in all stainless-steel variants.

The damper blade in the variant for chemical environments (Class A4) is always treated with a coating of chemically resistant Promat SR.

Any other requirements for the design will be considered atypical and will be addressed on an individual basis.

VIII. TRANSPORTATION AND STORAGE

Logistic terms

- Dampers are delivered on pallets. As standard, the dampers are wrapped in plastic foil for protection during transport and must not be used for long-term storage. Temperature changes during transport can cause condensation of water inside the packaging and thereby cause corrosion of materials used in the dampers (e.g. white corrosion on zinc-coated items or mould on calcium silicate). Therefore, it is necessary to remove the transport packaging immediately after unloading to allow air to circulate around the product.
- The dampers must be stored in clean, dry, well ventilated and dust-free environment out of direct sunlight. Ensure protection against moisture and extreme temperatures (minimum temperature +5°C). The dampers must be protected against mechanical and accidental damage prior to installation.
- Another required packaging system should be approved and agreed by manufacturer. Packaging material is not returnable in case that another packaging system (material) is required and used and it is not included into final price of damper.
- Dampers are transported by box freight vehicles without direct weather impact, there must not occur any shocks and ambient temperature must not exceed +50°C. Dampers must be protected against impact when transported and manipulated. During transportation, the damper blade must be in the "CLOSED" position.
- Dampers must be stored indoor in environment without any aggressive vapours, gases or dust. Indoor temperature must be in the range from -30°C to +50°C and maximum relative humidity 95%. (avoid condensation on the damper body). Dampers must be protected against impact when transported and manipulated.

IX. ASSEMBLY, ATTENDANCE AND MAINTENANCE

- Assembly, maintenance and damper function check can be done only by qualified and trained person, i.e. "AUTHORIZED PERSON" according to the manufacturer documentation. All works done on the fire dampers must be done according international and local norms and laws.
- All effective safety standards and directives must be observed during damper assembly.
- To ensure reliable damper function it is necessary to avoid blocking the actuating mechanism and contact surfaces with collected dust, fibre and sticky materials and solvents.
- Flange and screw joints must be conductively connected to protect against dangerous contact. 2 galvanized lock washers that are placed under the head of one screw and a fastened nut are used for conductive connection.

Manual operation - actuator control without electric voltage

- A special wrench (part of the actuator) can be used to manually turn the damper blade to any position. When the wrench is turned in the direction of the arrow, the damper blade rotates to its open position. As the blade rotation is stopped, in every position, the actuator will be locked. Unlocking is possible even manually as per instructions on the actuator, or by the activation of the supply voltage.
- If the actuator is manually locked, the damper blade will not close in the event of a fire after the activation of the thermoelectric activation device BAT. To restore correct damper operation, the actuator must be unlocked (manually or by applying power supply).

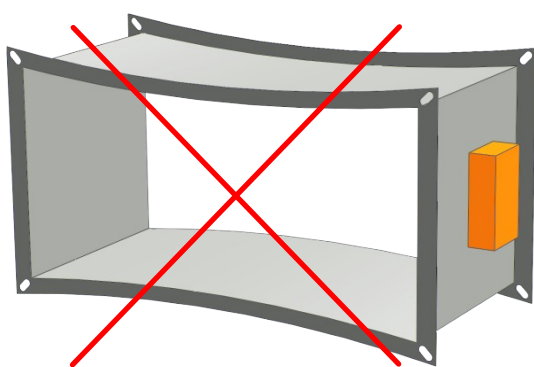
Limit switches

- If the damper is equipped with limit switches and these switches are not used during operation (e.g. because of a project change), they can be left on the damper and not connected (they need not be dismantled).
- On the other hand, if the limit switch is to be added to the damper design, the change can be implemented by change kit.
- These facts must be recorded in the respective operation documentation of the damper (record books of the damper, fire logs, etc.) and subsequently, adequate function checks must be carried out.

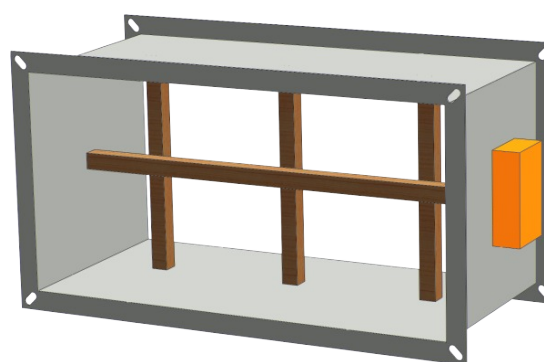
Installation / fixing the damper

- The damper casing shall not be deformed in the course of bricking in.
- Once the damper is built in, the damper blade shall not grind on the damper casing during opening or closing.

Protection of the damper casing against buckling during installation, especially for large sizes!

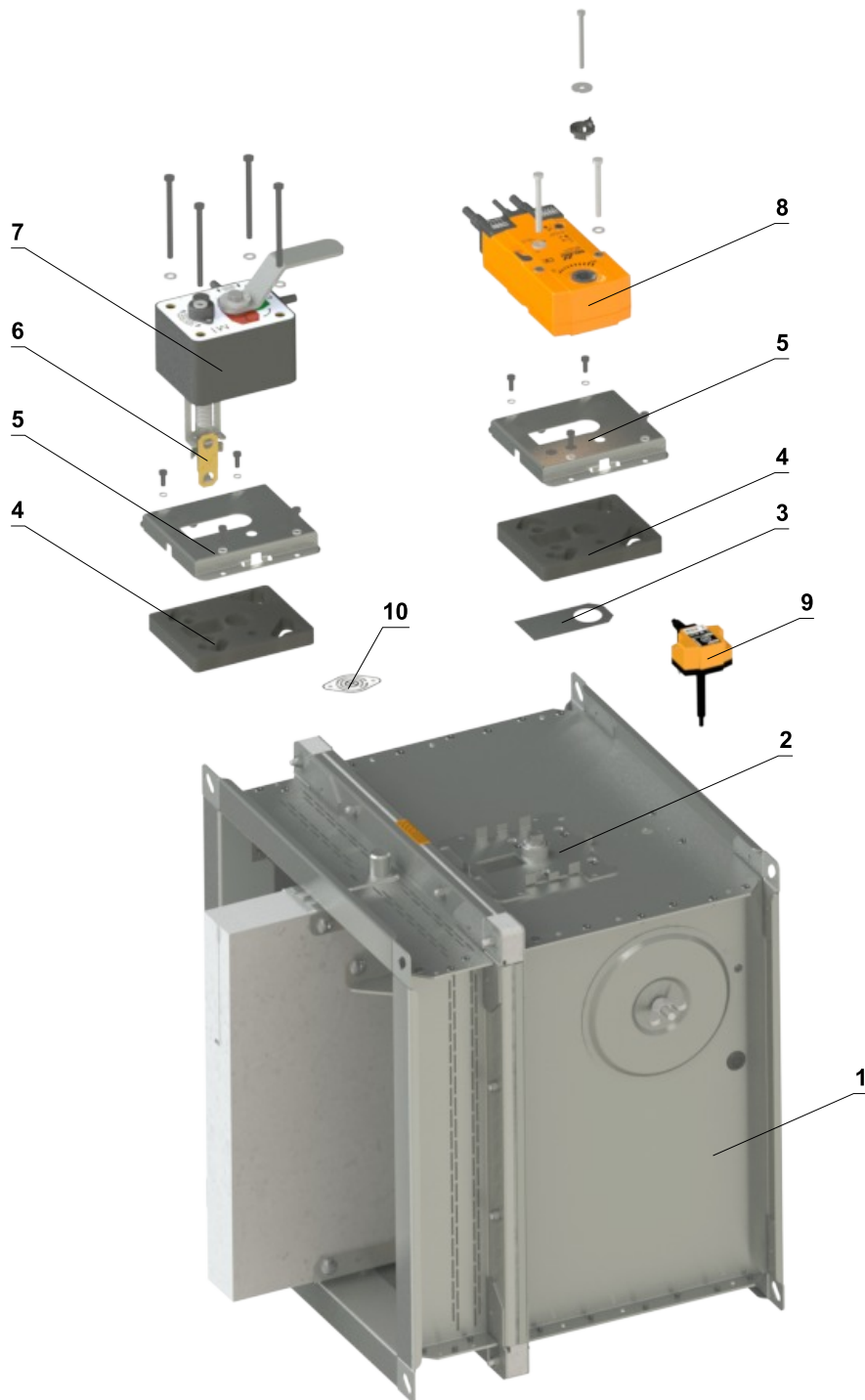


WRONG!



Reinforcement of the casing with wooden beams

Change of manual control for the actuator or vice versa

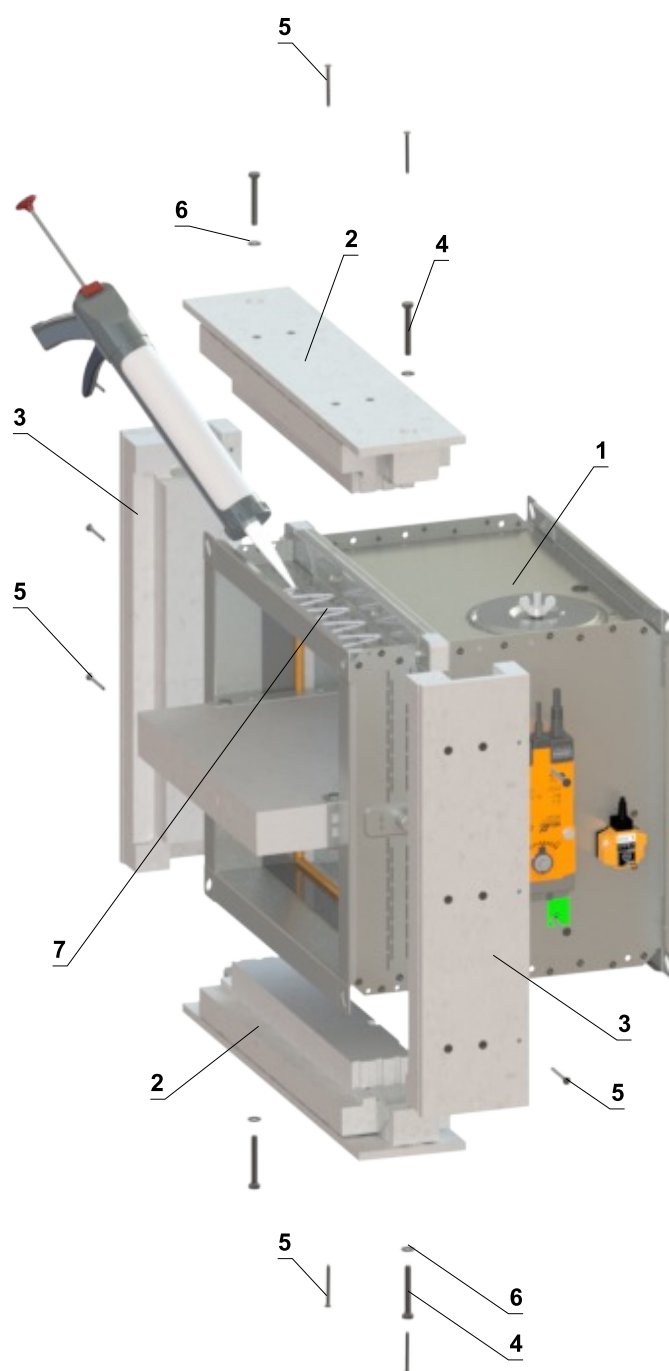
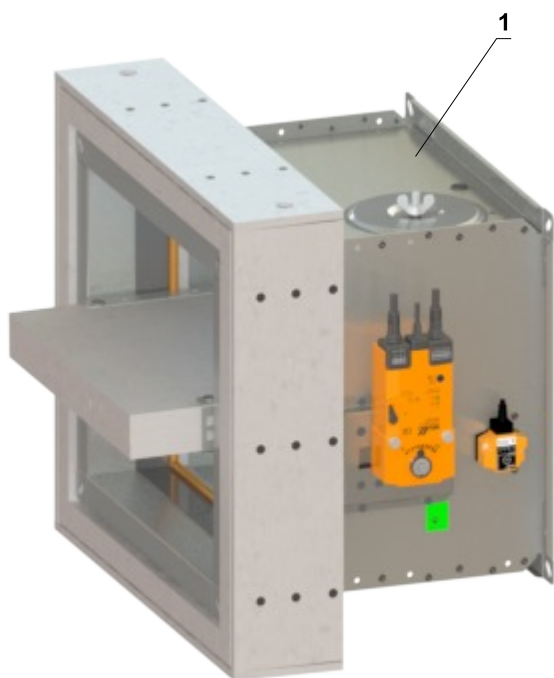


- | | | | |
|---|-----------------------------|----|--------------------------------------|
| 1 | Damper | 6 | Thermal fuse |
| 2 | Mounting plate | 7 | Manual control |
| 3 | Sealing cover | 8 | Spring return actuator |
| 4 | Sealing of a mounting plate | 9 | Thermoelectric activation device BAT |
| 5 | Cover of a mounting plate | 10 | Sensor sticker |

Reinforcing frame VRM-Q 120

- For damper placement outside wall construction is necessary to use reinforcing frame VRM-Q 120
- Fastening material is included in the package except glue K84
- Install reinforcing frame only after connecting duct.

Fixing reinforcing frame VRM-Q 120 to the damper casing



Installation procedure

- 1) Apply K84 glue over the entire surface
- 2) Attach the frame parts to the damper and screw it in the corners use M8x60 mm hexagon head screw DIN 931 with M8/8.4 washer DIN 7349
- 3) Screw 5x60 mm screws into the predrilled holes

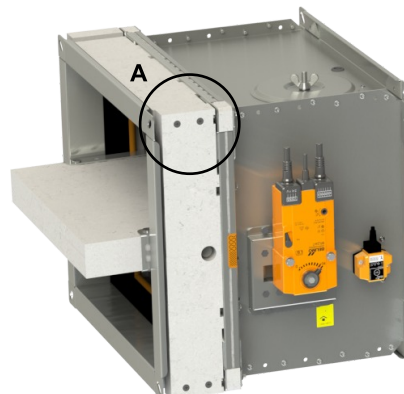
- 1 FDMQ 120
- 2 Part A of VRM-Q 120
- 3 Part B of VRM-Q 120
- 4 Hexagon head screw M8x60 mm DIN 931
- 5 Screw 5x60 mm
- 6 Washer M8/8,4 DIN 7349
- 7 Glue K-84 PROMAT

Protective cladding boards

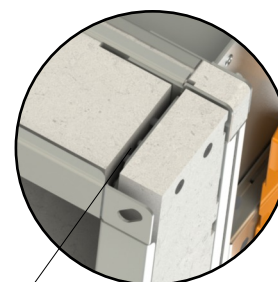
- Protective cladding boards must be used as part of the penetration filling of installation with ablative coated batt
- Can be ordered from MANDIK (installed on the damper or as an accessory) or can be sourced from local supplier
- If protective cladding boards are required, this must be specified in the ordering key
- Boards are made of PROMATECT-MST, thickness 30 mm (PROMATECT 250, thickness 30 mm can be used as an alternative)
- Glue K84 is not included in the package

Installation procedure

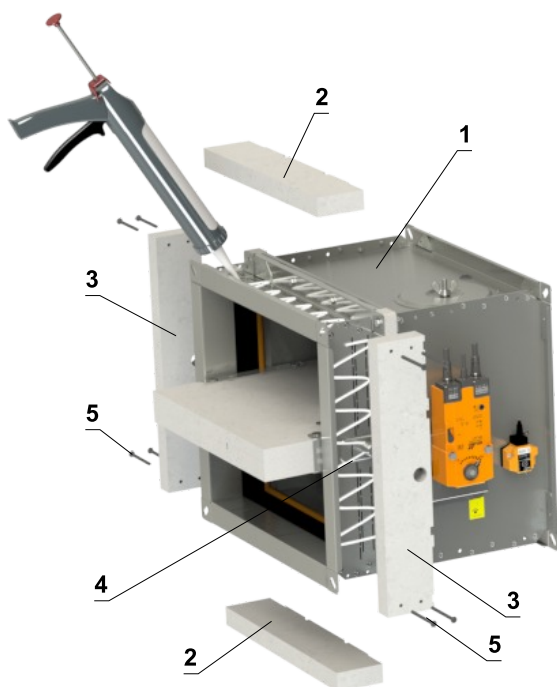
- 1) Apply K84 glue over the entire surface
- 2) Attach protective cladding boards to the damper and glue them to the casing
- 3) Screw parts A and B together using 4x screw 5x70 mm
- 4) Completely fill the gaps with glue



DETAIL A

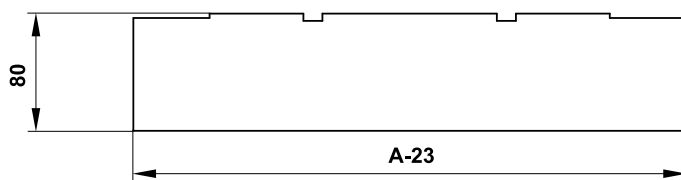


Completely fill the gaps between boards!

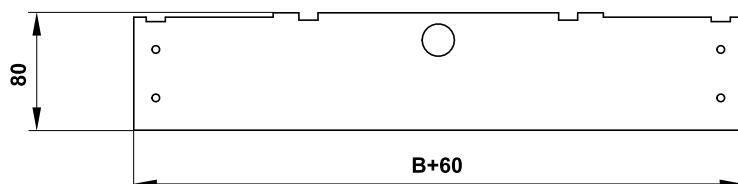


- 1 FDMQ 120
- 2 Part A of protective cladding boards
- 3 Part B of protective cladding boards
- 4 Glue PROMAT K-84
- 5 Screw 5x70 mm

Part A



Part B



- Detailed dimensions of protective cladding boards on request

Entry into service and revisions

- Before entering the dampers into operation after assembly and after sequential revisions, checks and functionality tests of all designs including operation of the electrical components must be successfully provided and finished. Check of thermal fuse and actuating mechanism. Check the closing function of the damper blade. This can be done by removing the thermal fuse from the damper casing. After entering into operation, these revisions must be done according to requirement set by national regulations.
- In case that dampers are found unable to serve for their function for any cause, it must be clearly marked. The operator is obliged to ensure that the damper is put into condition in which it is ready for function and meanwhile he is obliged to provide the fire protection by another appropriate way.
- Results of regular checks, imperfections found and all important facts connected with the damper function must be recorded in the "FIRE BOOK" and immediately reported to the operator.
- Before entering the dampers with actuator into operation after their assembly and by sequential checks. Check of blade rotation into the breakdown position "CLOSED" can be done after disconnecting the actuator supply (e.g. by pressing the test button at the thermoelectric activation device BAT or disconnecting the supply from ELECTRICAL FIRE SIGNALISATION). Check of blade rotation back into the "OPEN" position can be done after restoration of power supply (e.g. by releasing the test button or restoration of supply from ELECTRICAL FIRE SIGNALISATION). Without power supply, the damper can be operated manually and fixed in any required position. Release of the locking mechanism can be achieved manually or automatically by applying the supply voltage. It is recommended to provide periodical checks, maintenance and service actions on fire equipment by authorized persons. The authorized persons can be trained by producer, or by authorized distributor. All effective safety standards and directives must be observed during fire damper assembly.
- Visual inspection of proper damper installation, inner area of a damper, damper blade, contact surfaces and silicon seal.
- For regular or exceptional inspection of interior of fire damper, micro-camera device can be used. On each fire damper is an inspection opening. In the case of inspection by camera, take out the black rubber cap, insert the camera inside the damper, check interior and at the end of inspection, put the rubber cap back tightly to cover the empty hole.

For dampers with manual control, following checks must be carried out

Check of a manual control and thermal fuse

- **To check the function of the manual control proceed as follows:**
- Turn the damper blade to "CLOSED" position as follows:
 - The damper blade is in "OPEN" position.
 - Press the control button of the manual control to turn the damper blade to "CLOSED" position.
 - Check the damper blade rotation to "CLOSED" position.
 - Damper blade closing shall be smooth and fast, the control lever shall be in „CLOSED“ position.
- Turn the damper blade to "OPEN" position as follows:
 - Turn the control lever by 90°.
 - Check the damper blade rotation to "OPEN" position.
 - The lever will automatically lock in "OPEN" position.
- **Check of function and condition of the thermal fuse:**
 - To check the function and the status of the fuse it's possible to remove the manual control from the casing of the fire damper which is attached to the damper casing with four screws M6.
 - Removing the thermal fuse from the fuse holder of a manual control, checks its correct functionality.
 - The manual control is identified as M1 to M5, depending on the closing spring strength.

For the designs with actuators, following checks must be carried out

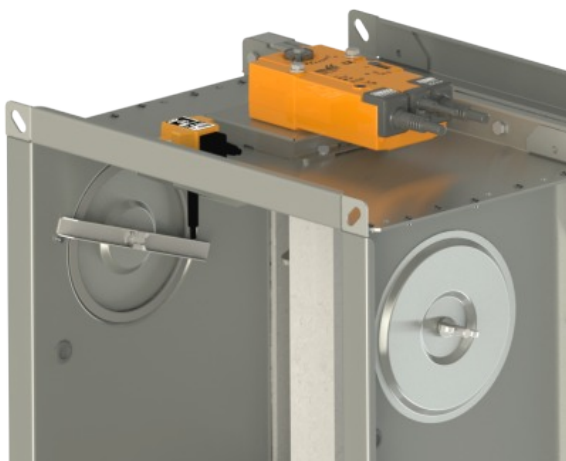
- Check the rotation of the blade to "CLOSED" failure position after disconnection the power supply of the actuator (e.g. by pressing the test button on the thermoelectric activation device BAT or by disconnection the power supply from electrical fire signalization). Check the rotation of the blade back to "OPEN" position by restoring the power supply to the actuator (e.g. by releasing the test button or by restoring the power supply from electrical fire signalization).

The check of function of the damper with actuator can be carried out as follows

- By disconnecting and restoring the power supply, e.g. by a signal from electrical fire signalization.
- By pressing the test button on the thermoelectric activation device BAT (simulating fuse tripping).

■ Inspection opening disassembly

- Release the covering lid by turning the wing nut and while turning the lid right or left release it from the security belt. Then tilt the lid and remove it from its original position.



Inspection opening detail

- Ensure each damper is fully checked for operational capability, control should be initiated from the control system or by manual control. Damper blades should open and close correctly and operation should be visually inspected and documented prior to handover.

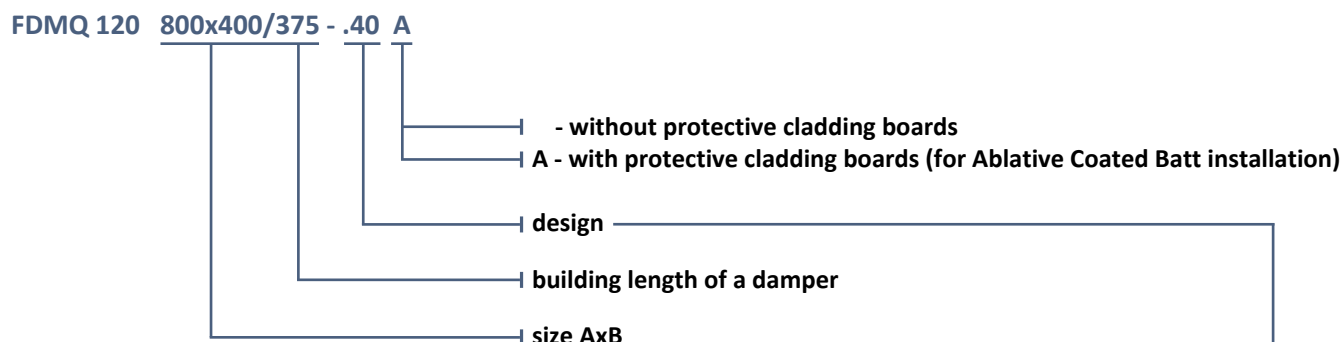
How to proceed after Tf1 or Tf2 fuses have been activated

- If the thermal fuse **Tf1** is interrupted (due to temperature outside the duct), it is necessary to replace the spring return actuator. → see page 10
- If the thermal fuse **Tf2** is interrupted (due to temperature inside the duct), only the spare part ZBAT 72 needs to be replaced. → see page 10

X. ORDERING INFORMATIONS

Ordering key

Fire damper



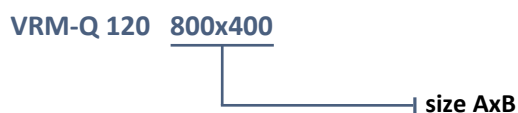
EXAMPLE:

FDMQ 120 800x400/375 - .40 A - 800x400-damper size, /375-building length of a damper, .40-damper design, A-with protective cladding boards

Damper design	Additional digit
Manual control and thermal	.01
Manual control and thermal with a terminal switch („CLOSED“)	.11
Manual control and thermal with two terminal switches („OPEN“, „CLOSED“)	.80
With actuator BF 230-TN (BFL, BFN 230-T) - voltage AC 230 V	.40
With actuator BF 24-TN (BFL, BFN 24-T) - voltage AC/DC 24 V	.50

Accessories

Reinforcing frame VRM-Q 120







Protective cladding boards



Data label

- Data label is placed on the damper casing (example)

MANDÍK [®]		MANDÍK, a.s. Dobříšská 550, 267 24 Hostomice, Czech Republic	
FIRE DAMPER - XXXX			
DIMENSION:		DESIGN:	
SERIAL.NO.:		WEIGHT (kg):	
CLASSIFICATION:		MANUAL	
TPM XXX/XX	Cert. No.: 2822-UKCA-CPR-XXXX, DoP: PM/XXXX/XX/XX/X	EN 15650:2010	

MANDÍK [®]		MANDÍK, a.s. Dobříšská 550, 267 24 Hostomice, Czech Republic	
FIRE DAMPER - XXXX			
DIMENSION:		DESIGN:	
SERIAL.NO.:		WEIGHT (kg):	
CLASSIFICATION:		MANUAL	
TPM XXX/XX	Cert. No.: 1391-CPR-XXXX/XXXX, DoP: PM/XXXX/XX/XX/X	EN 15650:2010	

The producer reserves the right for innovations of the product.
For actual product information see www.mandik.co.uk

MANDÍK[®]

www.mandik.co.uk

Manufacturer

MANDÍK, a. s. • Dobříšská 550 • 267 24 Hostomice • Czech Republic • Tel.: +420 311 706 742 • E-Mail: mandik@mandik.cz

Authorized representative

MANDIK UK Ltd • 130 Aztec West • Bristol BS32 4UB • United Kingdom • Tel.: +44 117 4526376 • E-Mail: help@mandik.co.uk