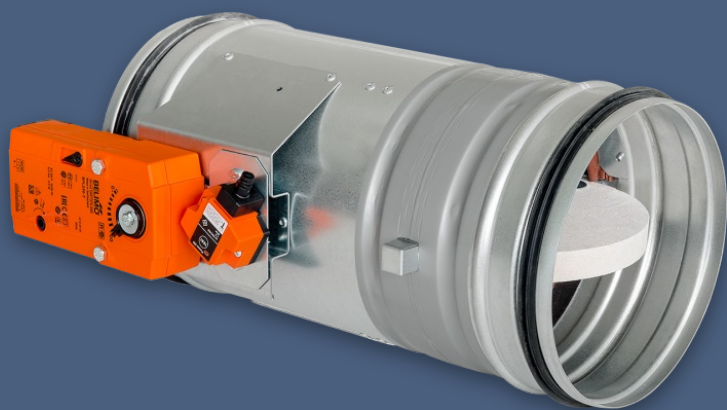


FDMR

Fire damper

Technical Documentation

Installation, Commissioning, Operation, Maintenance and Service Manual



These technical specifications state a row of manufactured sizes and models of fire dampers FDMR
It is valid for production, designing, ordering, delivery, maintenance and operation.

CONTENT

I. GENERAL.....	3	X. ORDERING INFORMATIONS.....	92
Description.....	3	Ordering key.....	92
II. DESIGN.....	4	Data label.....	93
Design with manual control.....	4		
Design with spring return actuator.....	6		
Design with the communication and supply device	12		
III. DIMENSIONS.....	14		
Technical parameters.....	19		
IV. INSTALLATION.....	20		
Placement and installation.....	20		
Statement of installations.....	22		
In solid wall construction.....	23		
Installation outside solid wall construction.....	30		
In gypsum wall construction.....	33		
Installation outside gypsum wall construction.....	41		
Installation in sandwich wall construction.....	44		
Shaft walls.....	45		
In solid ceiling construction.....	48		
Installation outside solid ceiling construction.....	52		
Installation frames.....	56		
Installation frame R1, R2.....	57		
Installation frame R3, R4.....	66		
Installation frame R5.....	69		
Installation frame R6.....	74		
Installation frame R7.....	77		
V. SUSPENSION SYSTEMS.....	80		
Example of duct connection.....	83		
VI. TECHNICAL DATA.....	84		
Pressure loss.....	84		
Noise data.....	85		
VII. MATERIAL, FINISHING.....	86		
VIII. TRANSPORTATION, STORAGE AND WARRANTY.....	87		
Logistic terms.....	87		
Warranty.....	87		
IX. ASSEMBLY, ATTENDANCE AND MAINTENANCE.....	88		
Commissioning and revisions.....	90		

I. GENERAL

Description

Fire dampers are shutters in ducts of air-conditioning devices that prevent the spread of fire and combustion products from one fire segment to the other one by means of closing the duct in the points of fire separating constructions.

Damper blade automatically closes air duct using a closing spring or a spring return actuator. The closing spring is actuated by pressing a button on the manual control or by melting a thermal fuse.

The return spring of the actuator is actuated when a thermoelectric activation device BAT is activated, when a test button on BAT is pressed or when power supply of the actuator is interrupted.

After closing the blade, the damper is sealed with silicon against smoke penetration. On request by customer, the damper can be supplied silicon-free. In the closed position, the damper is also sealed with material which increases its volume due to increasing temperature and air proofs the air duct.



FDMR with spring return actuator



FDMR with manual control

Damper characteristics

- CE certified acc. to EN 15650
- Tested in accordance with EN 1366-2
- Classified acc. to EN 13501-3+A1
- External Casing leakage class min. ATC 3 (old marking "C") acc. to EN 1751
- Internal leakage min. class 3 acc. to EN 1751
- Cycling test in class C₁₀₀₀₀ acc. to EN 15650
- Corrosion resistant acc. to EN 15650
- Certificate of constancy of performance No. 1391-CPR-XXXX/XXXX
- Declaration of Performance No. PM/FDMR/01/XX/X
- Hygienic assessment of fire dampers - Report No. 1.6/pos/19/19b

Working conditions

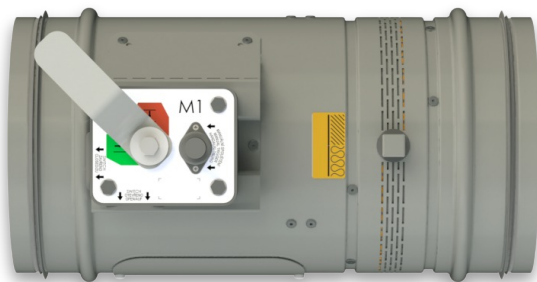
- Exact damper function is provided under the following conditions:
 - maximum air velocity 12 m/s
 - maximum pressure difference 1200 Pa
 - the air circulation in the whole damper section must be secured steady over the entire surface.
- Dampers can be installed in arbitrary position
- Dampers are suitable for systems without abrasive, chemical and adhesive particles.
- Dampers are designed for macroclimatic areas with mild climate according to EN IEC 60 721-3-3 ed.2., class 3K22. (Environment 3K22 is typically protected place with regulated temperature)
- Temperature in the place of installation is permitted to range from -30°C to +50°C.

II. DESIGN

Design with manual control

Design .01

- Design with manual control with a thermal fuse which actuates the shutting device, after the nominal activation temperature 72°C has been reached.
- Automatic initiation of the manual control is not activated if the temperature does not exceed 70°C.
- In case that other activation temperatures are required, thermal fuses with nominal activation temperature +104°C or +147°C can be supplied (this requirement must be specified in the order).



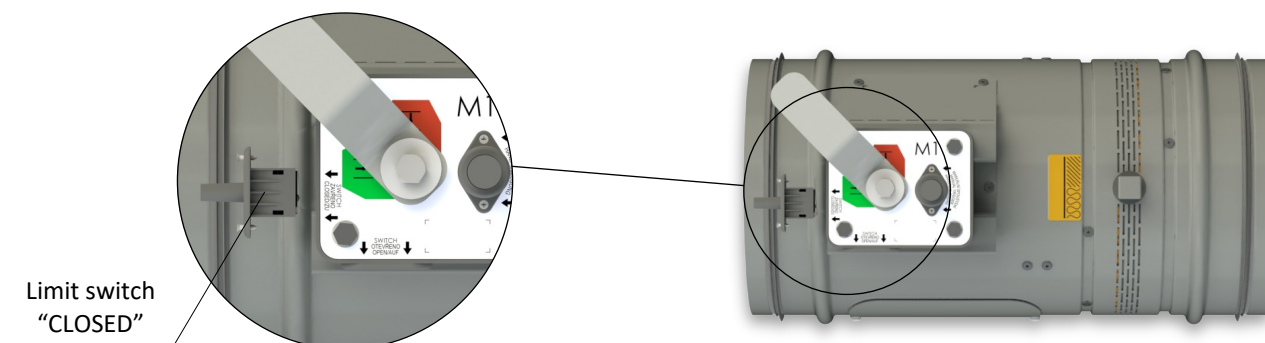
Design .01

ATTENTION:

- Manual controls are produced in five sizes M1 to M5, difference is only in size of a closing spring, which closes the fire damper.
- For the size of fire dampers is always assigned the size of the manual control → see page 19
- It is not recommended to use different size of the manual control than given by the manufacturer, otherwise there is a risk of damaging the fire damper.

Design .11

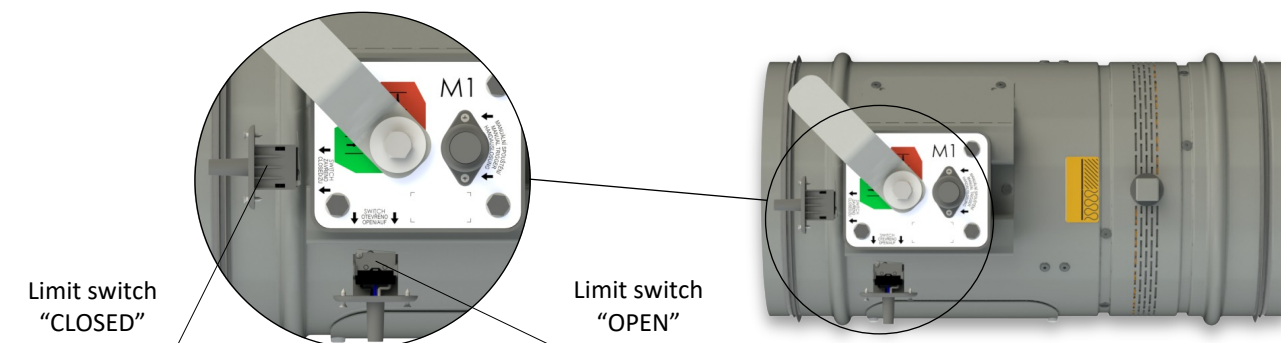
- Design .01 with manual control can be complemented with a limit switch signaling of the damper blade position "CLOSED".
- Cable is connected directly to limit switch.
- Limit switch detail → see page 5



Design .11

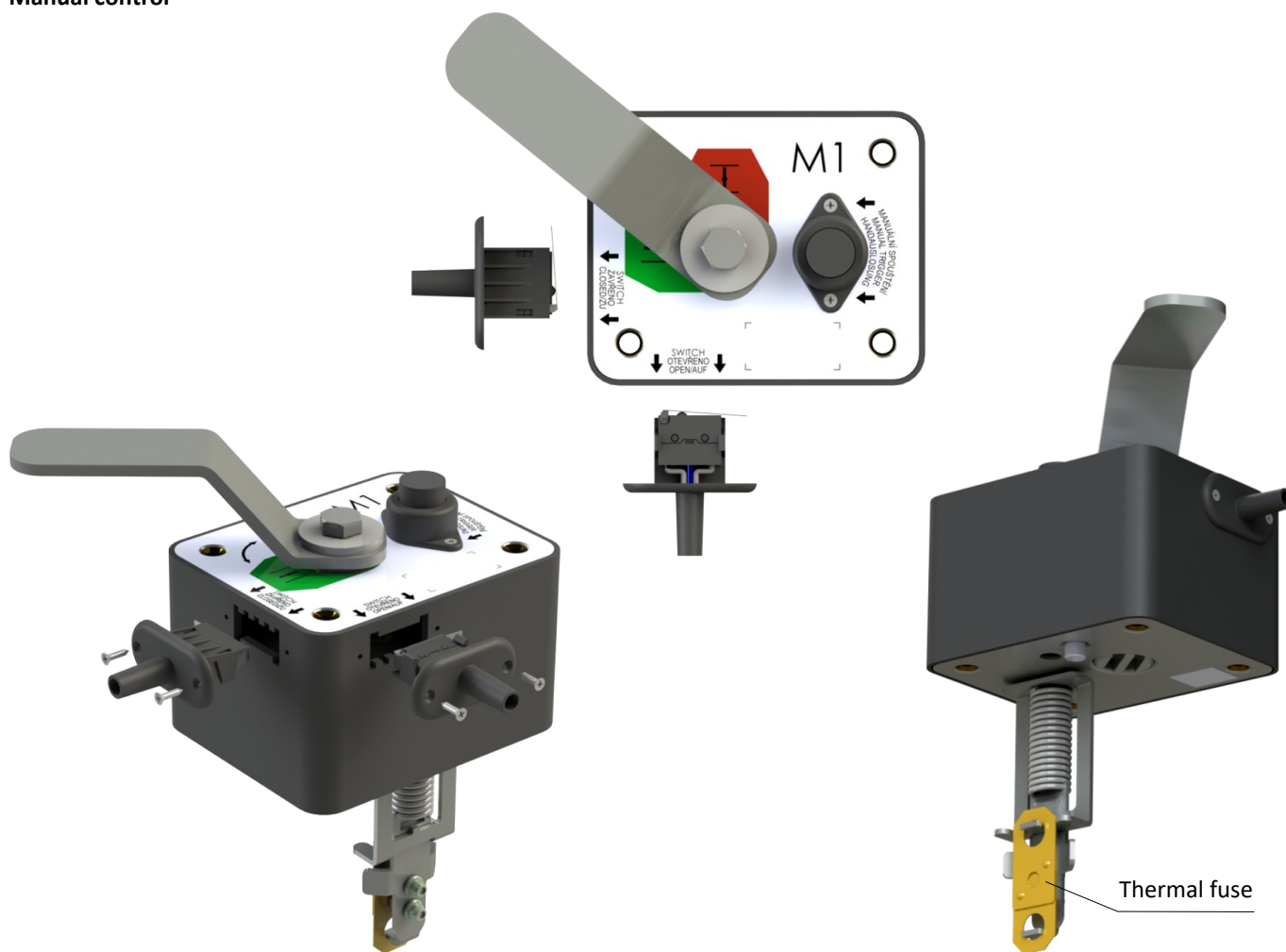
Design .80

- Design .01 with manual control can be complemented with two limit switches signaling of the damper blade position "CLOSED" and "OPEN".
- Cables are connected directly to limit switches.
- Limit switch detail → see page 5

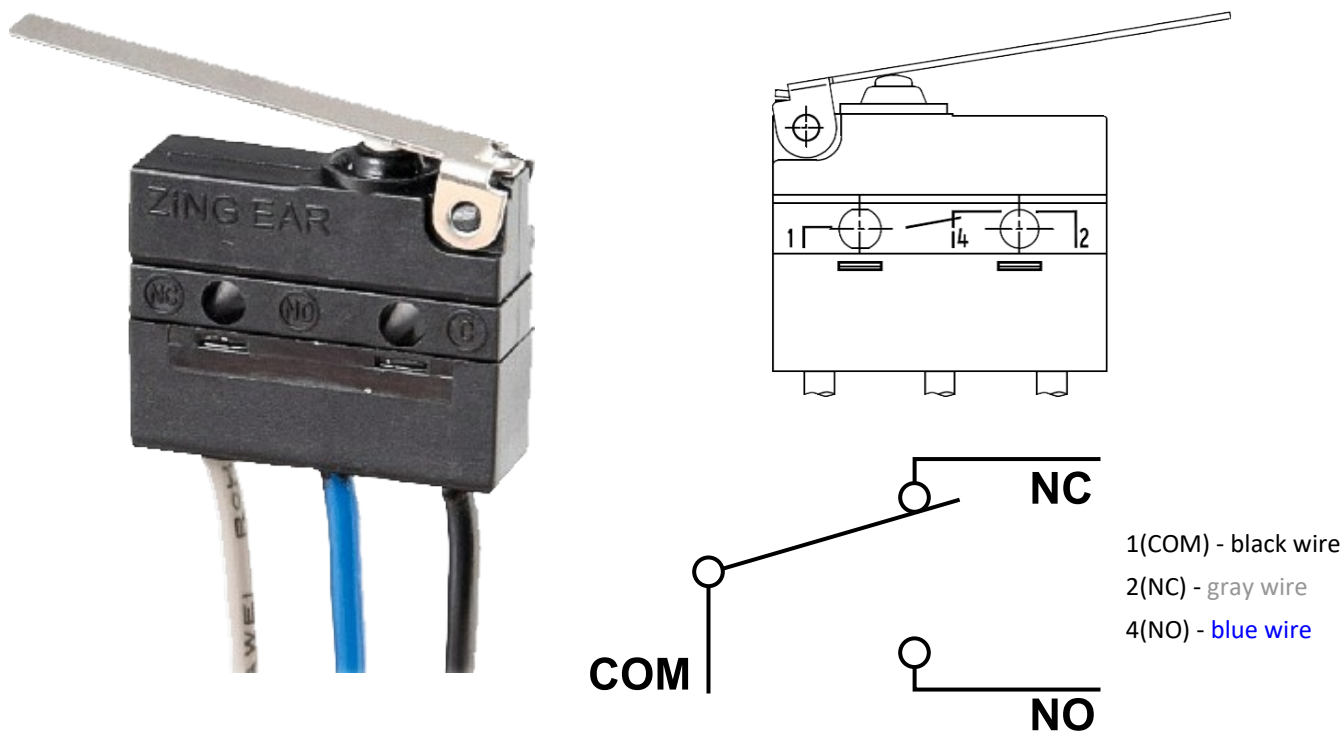


Design .80

Manual control



Limit switch G905-300E03W1



Nominal voltage and maximal current	AC 230V / 5A
Class of protection	IP 67
Working temperature	-25°C ... +120°C

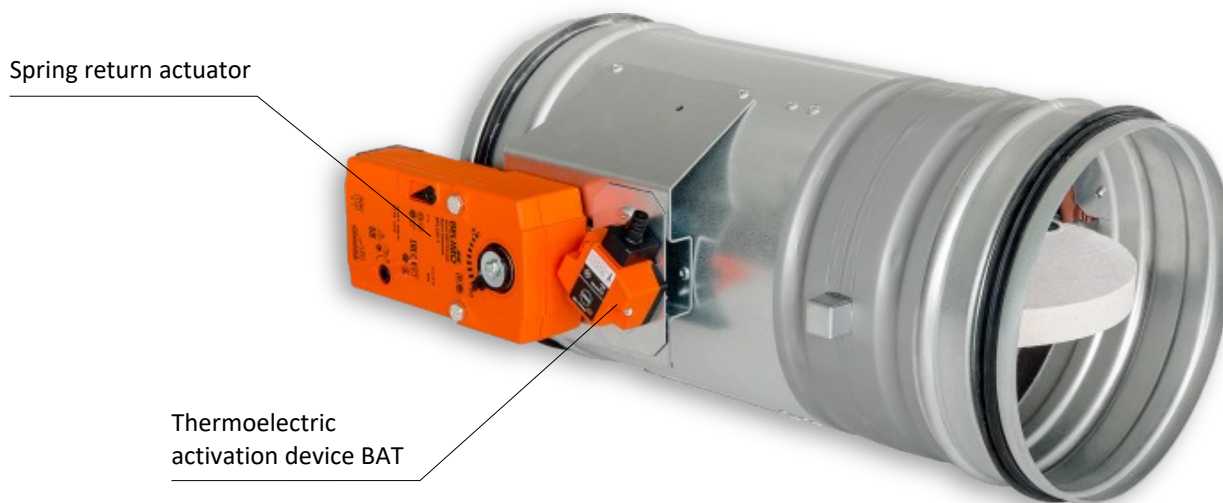
This limit switch is possible to connect in two following ways

- CUT-OFF if the arm is moving ... connect wire 1+2
- SWITCH-ON if the arm is moving ... connect wire 1+4

Design with spring return actuator

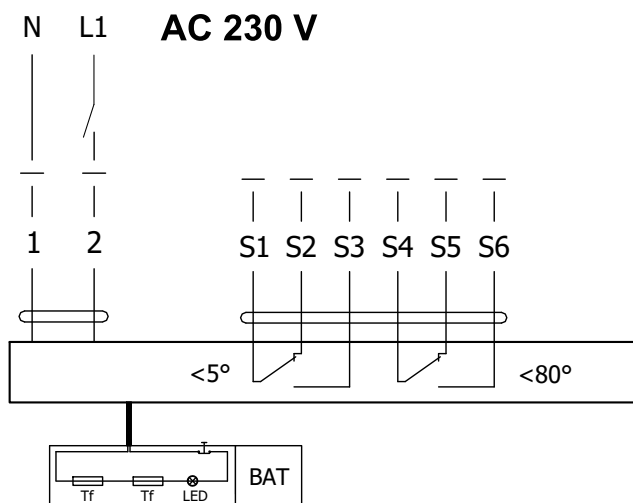
Design .40 and .50

- The fire dampers are equipped with Belimo spring return actuators with thermoelectric activation device BAT. The spring return actuator types are BFL, BFN or BF depending on the damper size. (Further mentioned as „actuator“).
- After being connected to power supply 230V or AC/DC 24V, the actuator rotates the damper blade to the operating position "OPEN" and at the same time pre-stretches its return spring.
- When the actuator is power supplied, the damper blade is in the position "OPEN" and the return spring is pre-stretched.
- Time needed for full opening of the damper blade from the position "CLOSED" to the position "OPEN" is maximum 120 sec. If the actuator power supply is interrupted (due to loss of supply voltage, or pressing a test button on the thermoelectric activation device BAT), the actuator rotates the damper blade to the breakdown position "CLOSED".
- The time of closing the damper blade from the position "OPEN" to the position "CLOSED" takes maximum 20 sec.
- In case that the power supply is restored again (the blade can be in any position), the actuator starts to rotate the damper blade back to the position "OPEN".
- A thermoelectric activation device BAT, which contains two thermal fuses Tf1 and Tf2, is an integral part of the actuator.
- These fuses are activated when temperature +72°C has been reached (the fuse Tf1 due to temperature outside the duct and the fuse Tf2 due to temperature inside the duct). The thermoelectric activation device can also be equipped with a Tf2 thermal fuse type ZBAT 95/120/140 (must be specified in the order). In this case, the activation temperature inside the duct is +95°C, +120°C or +140°C (depending on the type).
- After the thermal fuse Tf1 or Tf2 has been activated, the power supply is permanently and irreversibly interrupted and the actuator, by means of the pre-stretched spring, rotates the damper blade into the breakdown position "CLOSED".
- Signalisation of damper blade position "OPEN" and "CLOSE" is provided by two microswitches.

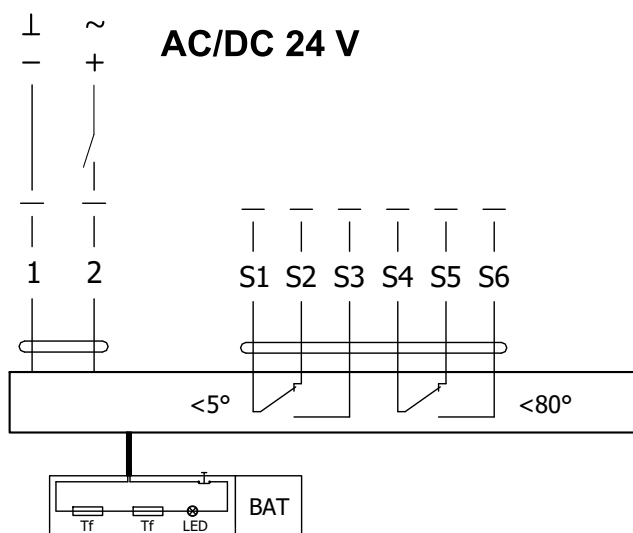


Design .40 and .50

Actuator BELIMO BFL 230-T



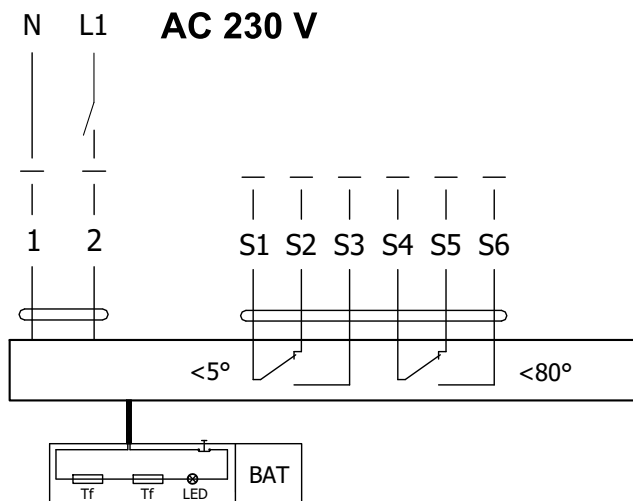
Actuator BELIMO BFL 24-T(-ST)



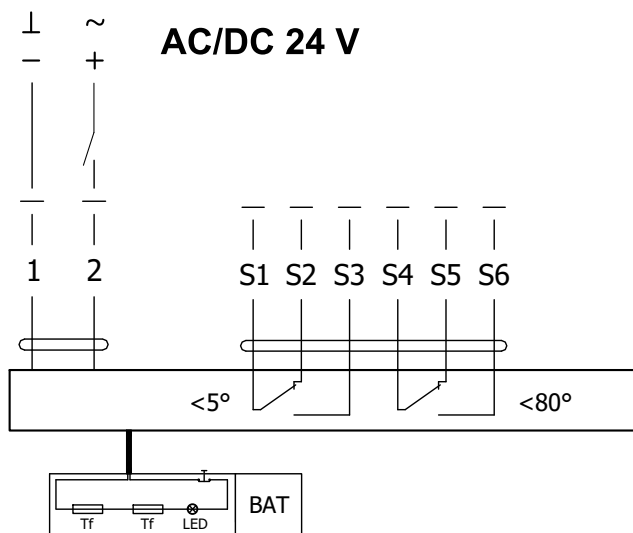
Actuator BELIMO BFL 230-T(-ST), BFL 24-T(-ST)

Actuator BELIMO - 4 Nm/ 3 Nm Spring	BFL 230-T(-ST)	BFL 24-T(-ST)
Power voltage	AC 230 V 50/60Hz	AC/DC 24 V 50/60Hz
Power consumption - in operation - in rest position	3,5 W 1,1 W	2,5 W 0,8 W
Dimensioning	6,5 VA (Imax 4 A @ 5 ms)	4 VA (Imax 8,3 A @ 5 ms)
Protection class	II	III
Degree of protection	IP 54	
Running time - motor - spring return	< 60 s ~ 20 s	
Ambient temperature - normal duty - safety duty - non-operating temperature	-30°C ... +55°C The safe position will be attained up to max. +75°C -40°C ... +55°C	
Connection - supply/control - auxiliary switch	cable 1 m, 2 x 0,75 mm ² (BFL 2xx-T-ST) with 3-pin plug-in connectors cable 1 m, 6 x 0,75 mm ² (BFL 2xx-T-ST) with 6-pin plug-in connectors	
Response temperature thermal fuse	duct outside temperature +72°C duct inside temperature +72°C	

Actuator BELIMO BFN 230-T



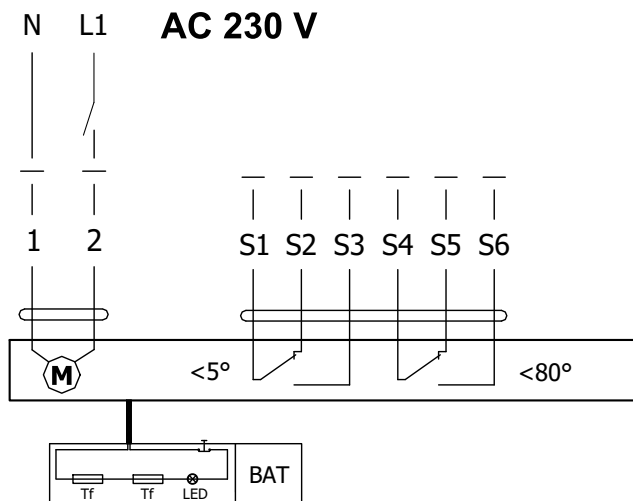
Actuator BELIMO BFN 24-T(-ST)



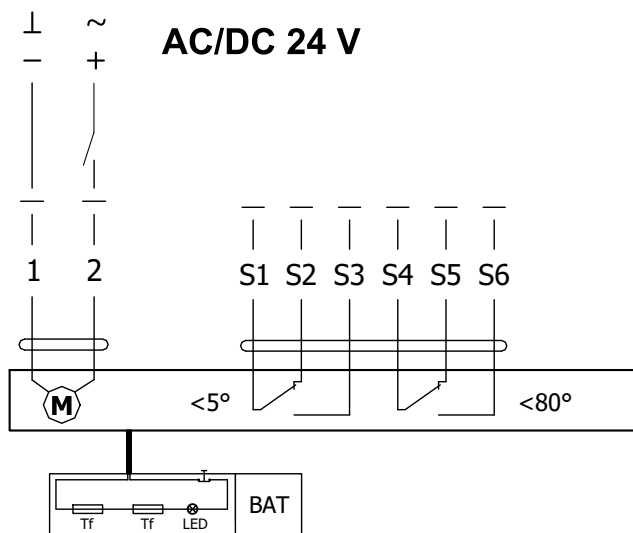
Actuator BELIMO BFN 230-T(-ST), BFN 24-T(-ST)

Actuator BELIMO - 9 Nm/ 7 Nm Spring	BFN 230-T(-ST)	BFN 24-T(-ST)
Power voltage	AC 230 V 50/60Hz	AC/DC 24 V 50/60Hz
Power consumption - in operation	5 W	4 W
- in rest position	2,1 W	1,4 W
Dimensioning	10 VA (Imax 4 A @ 5 ms)	6 VA (Imax 8,3 A @ 5 ms)
Protection class	II	III
Degree of protection	IP 54	
Running time - motor	< 60 s	
- spring return	~ 20 s	
Ambient temperature	-30°C ... +55°C	
- normal duty	The safe position will be attained up to max. +75°C	
- safety duty		
- non-operating temperature	-40°C ... +55°C	
Connection - supply/control	cable 1 m, 2 x 0,75 mm ² (BFN 2xx-T-ST) with 3-pin plug-in connectors	
- auxiliary switch	cable 1 m, 6 x 0,75 mm ² (BFN 2xx-T-ST) with 6-pin plug-in connectors	
Response temperature thermal fuse	duct outside temperature +72°C duct inside temperature +72°C	

Actuator BELIMO BF 230-TN



Actuator BELIMO BF 24-TN (-ST)



Actuator BELIMO BF 230-TN(-ST), BF 24-TN(-ST)

Actuator BELIMO - 18 Nm/ 12 Nm Spring	BF 230-TN(-ST)	BF 24-TN(-ST)
Power voltage	AC 230 V 50/60Hz	AC/DC 24 V 50/60Hz
Power consumption - in operation - in rest position	8,5 W 3 W	7 W 2 W
Dimensioning	11 VA (I _{max} 8,3 A @ 5 ms)	10 VA (I _{max} 8,3 A @ 5 ms)
Protection class	II	III
Degree of protection	IP 54	
Running time - motor - spring return	120 s ~ 16 s	
Ambient temperature - normal duty - safety duty - non-operating temperature	-30°C ... +50°C The safe position will be attained up to max. +75°C -40°C ... +50°C	
Connection - supply/control - auxiliary switch	cable 1 m, 2 x 0,75 mm ² (BF 2xx-TN-ST) with 3-pin plug-in connectors cable 1 m, 6 x 0,75 mm ² (BF 2xx-TN-ST) with 6-pin plug-in connectors	
Response temperature thermal fuse	duct outside temperature +72°C duct inside temperature +72°C	

Thermoelectric activation device BAT

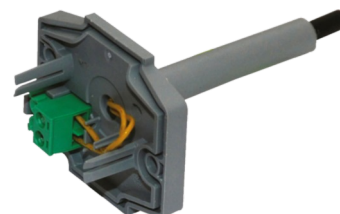
- If the thermal fuse Tf1 is interrupted (due to temperature outside the duct), it is necessary to replace the spring return actuator. Thermoelectric activation device BAT is integral part of the actuator.
- If the thermal fuse Tf2 is interrupted (due to temperature inside the duct) , only the spare part ZBAT 72 (95/120/140) needs to be replaced (acc.to the activation temperature).
- When one of the thermal fuses responds, the supply voltage is interrupted permanently and irreversibly.
- The function (interruption of the supply voltage) can be checked by pressing the test button.
- Installation is carried out with the pre-assembled, self-tapping screws.



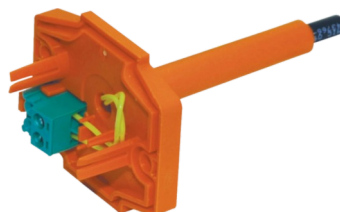
BELIMO ZBAT 72
Black (BK) = 72°C (standard)



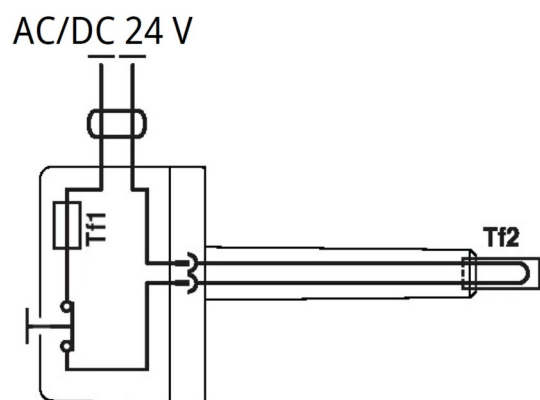
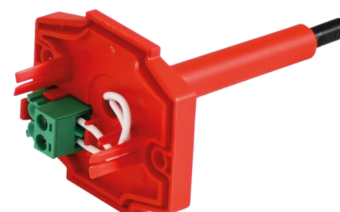
BELIMO ZBAT 95
Grey (GY) = 95°C



BELIMO ZBAT 120
Orange (OG) = 120°C



BELIMO ZBAT 140
Red (RD) = 140°C



Thermoelectric activation device BAT 72 (95/120/140)

Power voltage	AC/DC 24 V 50/60Hz
Rated current	1 A
AC/DC throughput resistance	<1 Ω
Protection class	III
Degree of protection	IP 54
Probe length	65 mm
Ambient temperature	-30°C ... +50°C
Storage temperature	-40°C ... +50°C
Ambient humidity	Max. 95% RH, non-condensing
Connection supply	Cable 1 m, 2 x 0.5 mm ² , Betaflam cable heatresistant up to 145°C
Response temperature thermal fuse	Duct inside temperature +72 (95/120/140)°C Duct outside temperature +72 (95/120/140)°C

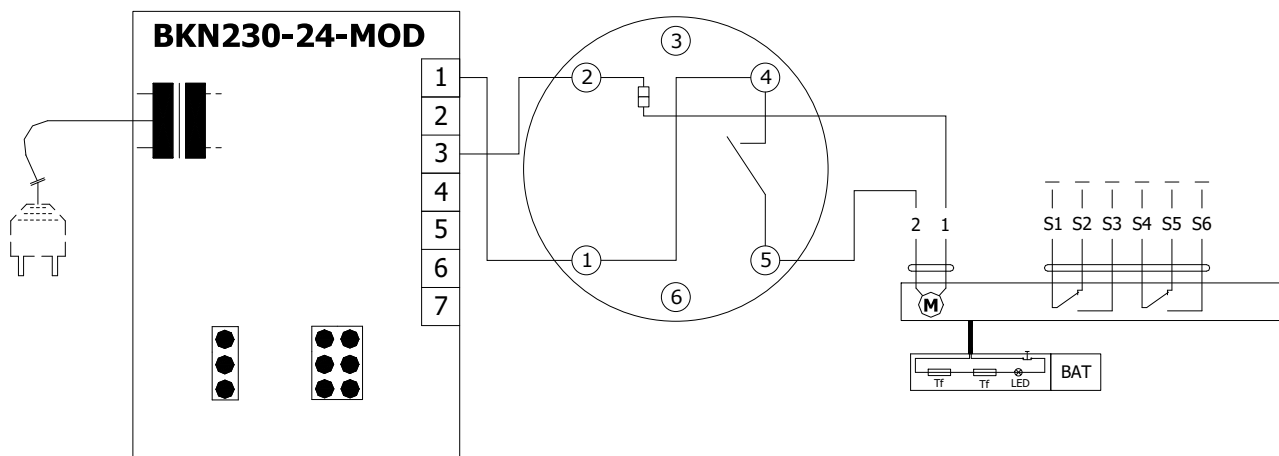
Design .41 and .51

- Design .41 or .51 with actuator and smoke detector ORS 142 K. The voltage can be AC 230 V or 24 V DC. Design .41 with voltage AC 230 V is equipped with communication and supply device BKN 230-24-MOD and with actuator BF 24-TN (BFL 24-T, BFN 24-T).
- The smoke detector is activated when smoke spreads in air duct system. Deactivation of the smoke detector alarm

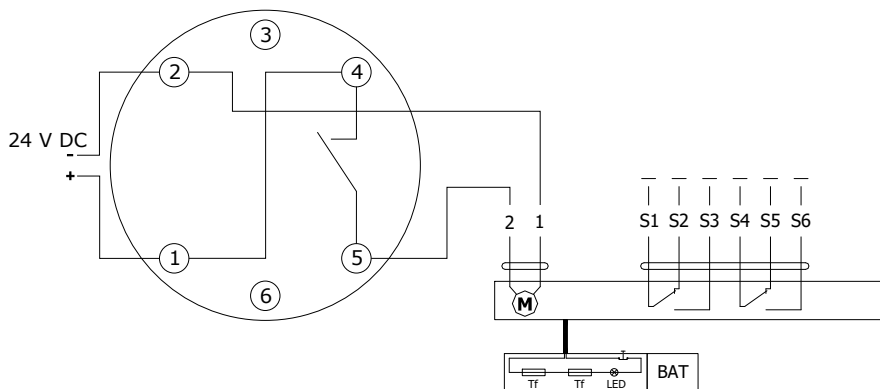
status is provided by interruption of supply voltage for min. 2s.

- Signalisation of damper blade position "OPEN" and "CLOSE" is provided by two microswitches.
- The smoke detector is not part of the damper in the case of dampers in diameters from DN 100 mm to DN 200 mm (including). The smoke detector is supplied separately.

Design .41 with actuator BF 24-TN (BFL, BFN 24-T), with smoke detector ORS 142 K and with supply device BKN 230-24-MOD (voltage AC 230 V)



Design .51 with actuator BF 24-TN (BFL, BFN 24-T), with smoke detector ORS 142 K (voltage 24 V DC)



Communication and supply device BKN 230-24-MOD

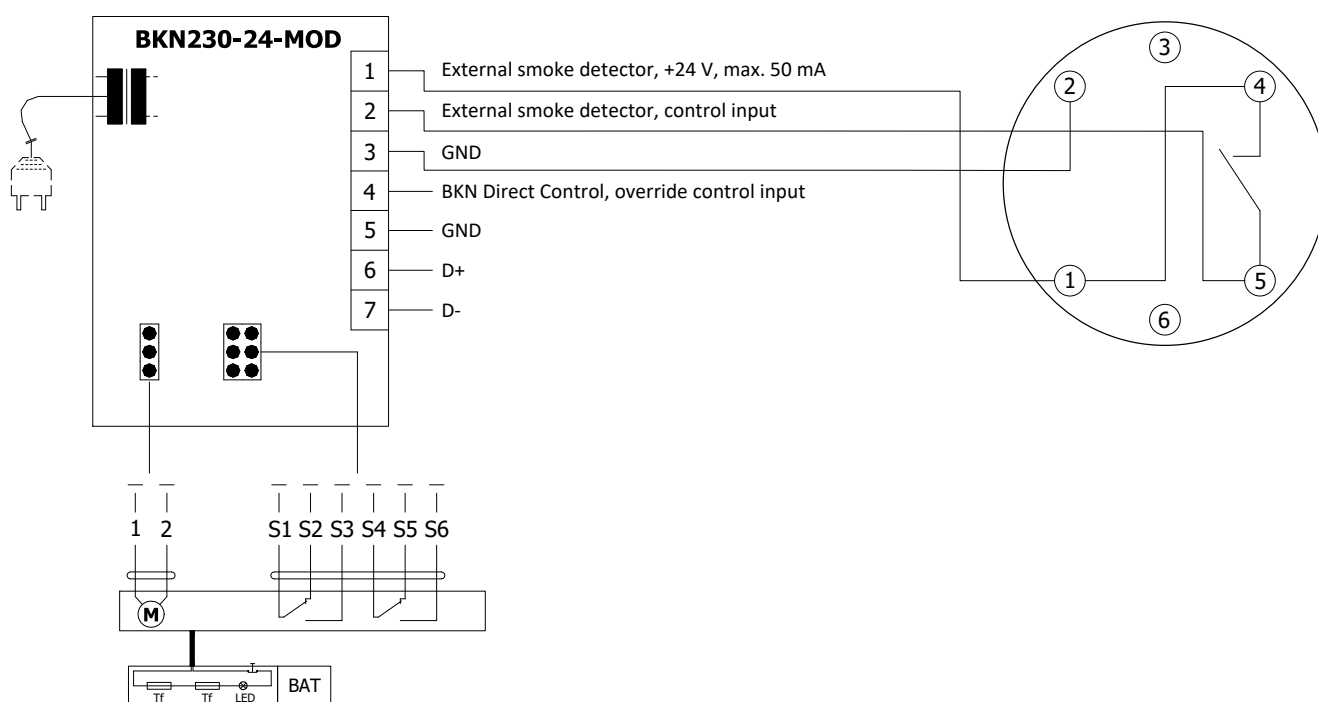
Nominal voltage	AC 230 V 50/60Hz
Power consumption	3 W (operating position)
Dimensioning	14 VA (including actuator)
Protection Class	II
Degree of protection	IP 40
Ambient temperature	-20°C ... +50°C
Non-operating temperature	-40°C ... +80°C
Connection - net	cable 0,9 m with EURO plug type 26
- motor	6-pole connector, 3-pole connector
- terminal board	screw terminals for cable 2x1,5 mm ²

Design with the communication and supply device

Design .63, 63S

- Design with the communication and supply device BKN 230-24-MOD and actuator BF 24-TN-ST (BFL 24-T-ST, BFN 24-T-ST) for communication with control systems using the Modbus RTU or BACnet MS / TP. Design 63. can be extended with an optical smoke detector ORS 142 K (design .63S).
- The wiring of the line is to be carried out in accordance with applicable RS485 regulations.
- Parameterization of the communication is done using DIL switches.
- BKN 230-24-MOD can be installed separately, without a connection to a master control system, in which case the connection bridge between the terminals 1 and 4 must be installed.
- If the test button on BAT is pressed or if the power supply (e.g. by a signal from ELECTRICAL FIRE SIGNALISATION) is disconnected, the damper blade position will be "FAILURE".
- For design 63S the smoke detector is activated when smoke spreads in air duct system. Deactivation of the smoke detector alarm status is provided by interruption of supply voltage for min. 2s.
- The smoke detector is not part of the damper in the case of dampers in diameters from DN 100 mm to DN 200 mm (including). The smoke detector is supplied separately.

Design with communication and supply device BKN 230-24-MOD, with actuator BF 24-TN-ST (BFL 24-T-ST, BFN 24-T-ST) and smoke detector ORS 142 K



Communication and supply device BKN 230-24-MOD

Nominal voltage	AC 230 V 50/60Hz
Power consumption	3 W (operating position)
Dimensioning	14 VA (including actuator)
Protection Class	II
Degree of protection	IP 40
Ambient temperature	-20°C ... +50°C
Non-operating temperature	-40°C ... +80°C
Connection - net	cable 0,9 m with EURO plug type 26
- motor	6-pole connector, 3-pole connector
- terminal board	screw terminals for cable 2x1,5 mm ²

Optical smoke detector ORS 142 K with the socket 143A

- The smoke detector ORS 142 K is used for early smoke detection in rooms or inside the ventilation system.
- The sensor operates on the light scatter principle. Inside the scanning chamber is a light source and a light sensor, in the normal state the light from the source does not fall on the sensor. Only when smoke enters the scanning chamber the light is scattered and falls on the sensor.
- The smoke detector can be connected directly to the actuator (design .41 and .51) which, in case of smoke detection, passes to the safety position, or to the BKN communication and supply device (design .63).
- By early detection of smoke, it can be effectively prevented from spreading of smoke through the ventilation system. In addition to smoke detection, the sensor can distinguish and signal slight and heavy contamination, e.g. the presence of large amounts of dust.
- The ORS 142 K smoke detector has an alarm memory, i.e. if the alarm is triggered, the safety relay opens and stays in this state even if the smoke disappears from the scanning chamber. The sensor remains in the alarm state until the power supply is briefly reset.
- On the pin 3, an external device can be connected via RS-Bus communication to report the status of the sensor.
- Pin 6 has no connection to the detector and is designed as a load-bearing structure in the base.

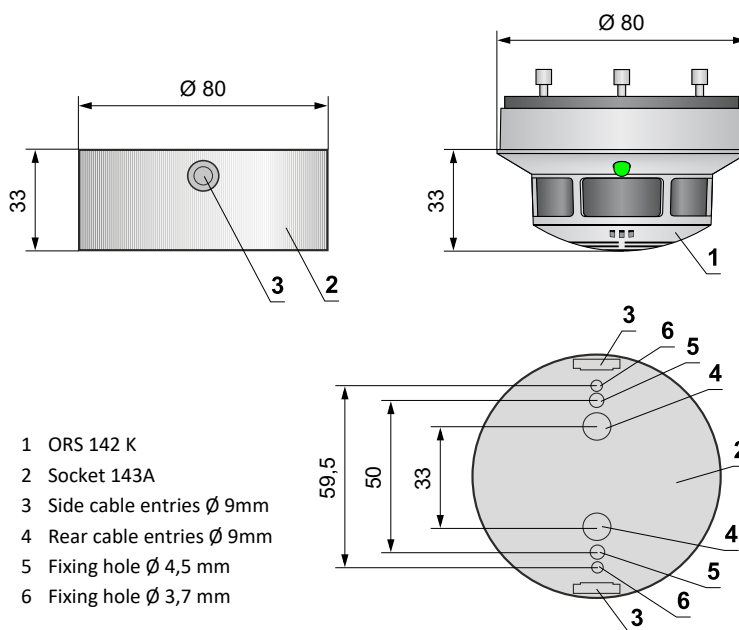
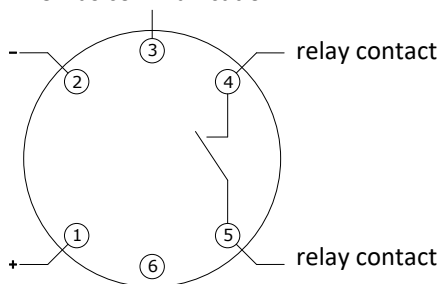
ORS 142 K



Socket 143A



RS-Bus communication



Relay contact		LED	
In operation		Green	Shines
Slight contamination		Green / Yellow	Flashes
Heavy contamination		Green / Yellow	Flashes
Fault		Yellow	Shines
Alarm		Red	Shines
Power Off		Off	-

- 1 ORS 142 K
- 2 Socket 143A
- 3 Side cable entries Ø 9mm
- 4 Rear cable entries Ø 9mm
- 5 Fixing hole Ø 4,5 mm
- 6 Fixing hole Ø 3,7 mm

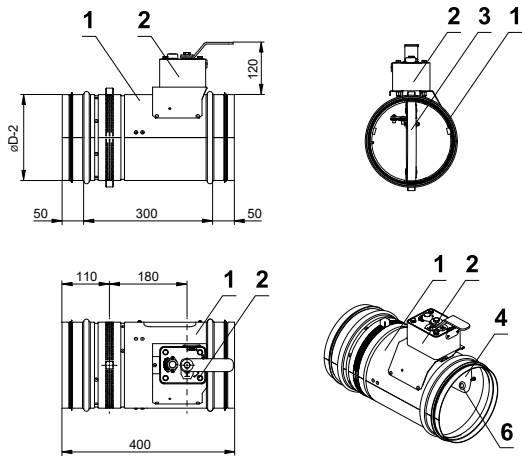
Optical smoke detector ORS 142 K with the socket 143A

Operating voltage	18 ... 28 V DC
Residual ripple	≤ 200 mV
Power Consumption Socket (without actuator)	max. 22 mA
Degree of protection	IP 42
Ambient temperature	-20°C ... +75°C
Additional temperature sensor	+70°C
Connection - net	Cabel 1m, connected to terminals 1, 2 and 4
- motor	Actuator connected on the terminals 2 and 5
- communication and supply device BKN	Cabel 1m, connected to terminals 1, 2, 4 and 5

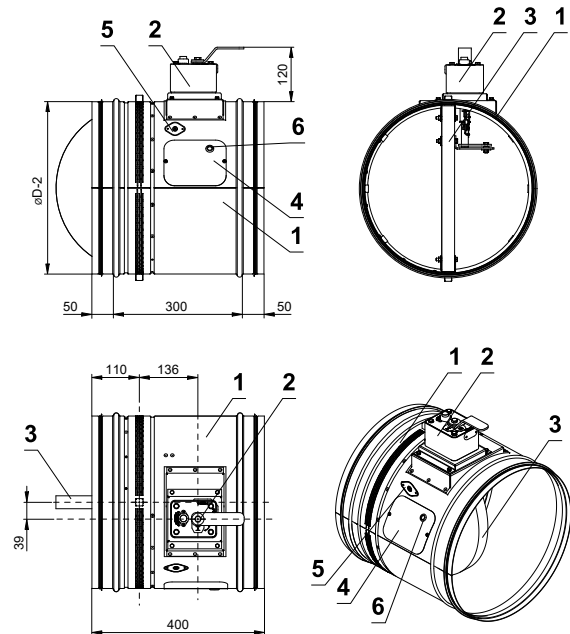
III. DIMENSIONS

SPIRO design with manual control

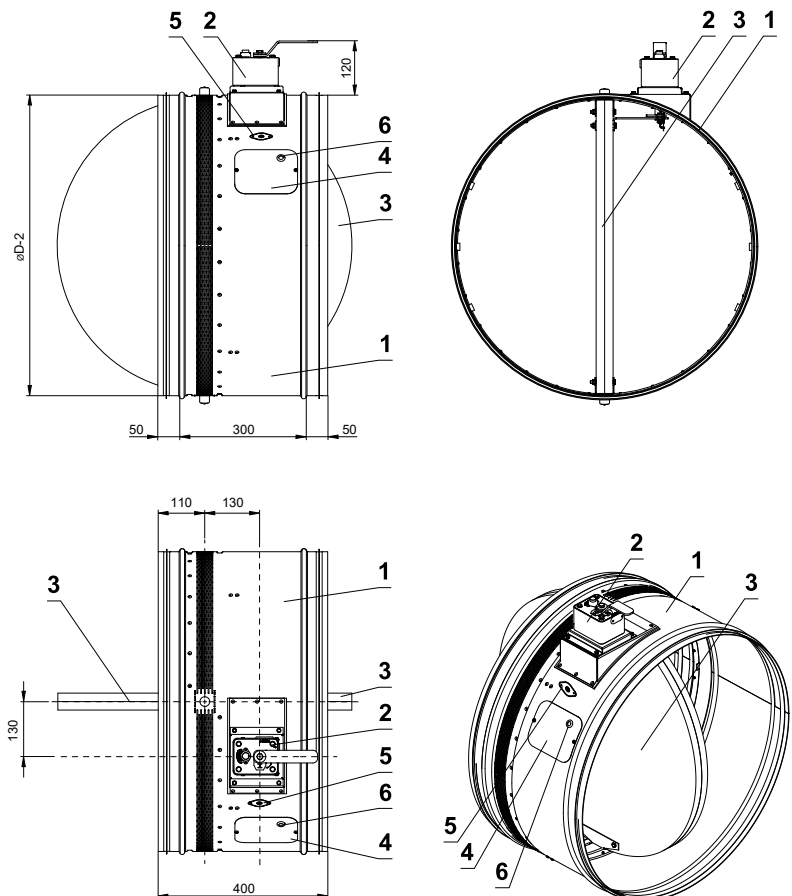
DN 100 - DN 315



DN 350 - DN 500



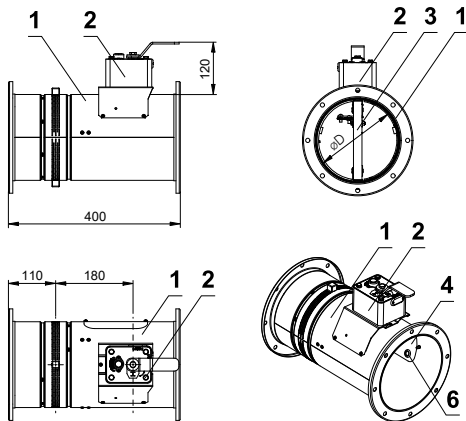
DN 560 - DN 800



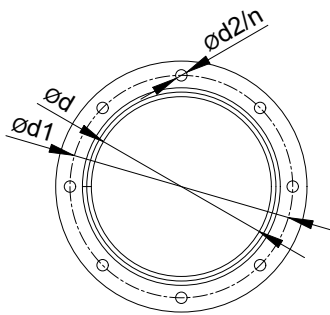
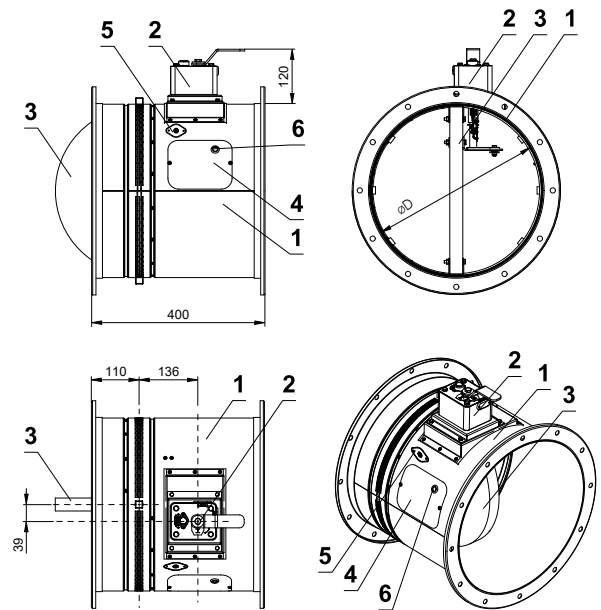
- 1 Damper casing
- 2 Manual control
- 3 Damper blade
- 4 Inspection opening cover
- 5 Sensor sticker
- 6 Hole for camera

FLANGE design with manual control

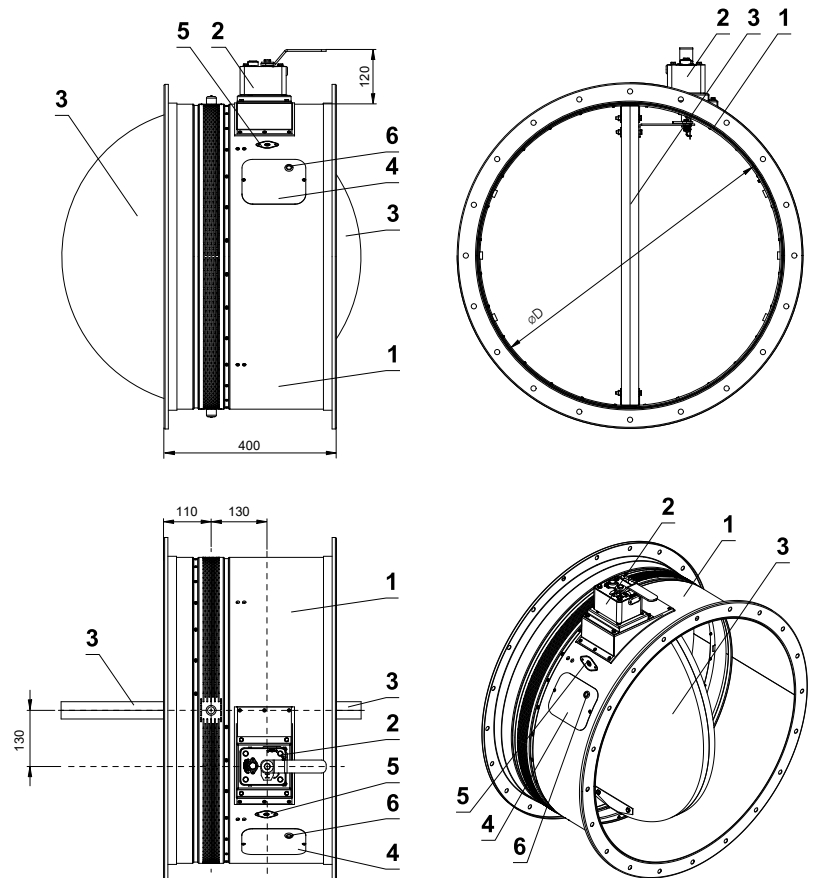
DN 100 - DN 315



DN 355 - DN 500



DN 560 - DN 800



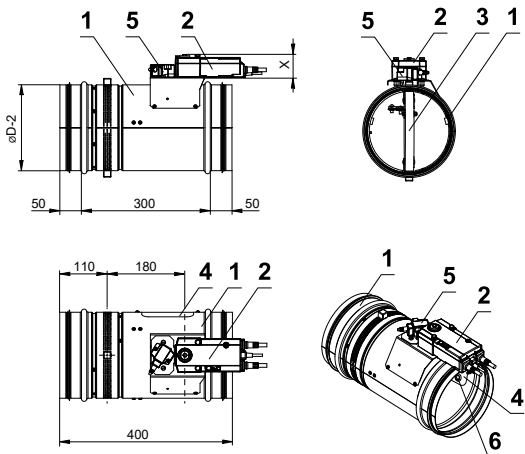
Ød [mm]	Ød1 [mm]	Ød2 [mm]	n number of holes in the flange
100	130	10	4
125	155	10	8
160	195	10	8
180	215	10	8
200	235	10	8
225	260	10	8
250	285	10	8
280	315	10	8
300	335	10	12
315	350	10	12
355	390	10	12
400	445	12	12
450	495	12	12
500	545	12	16
560	605	12	16
600	650	12	16
630	680	12	16
710	760	14	20
800	860	14	20

- 1 Damper casing
- 2 Manual control
- 3 Damper blade
- 4 Inspection opening cover
- 5 Sensor sticker
- 6 Hole for camera

Design SPIRO with spring return actuator

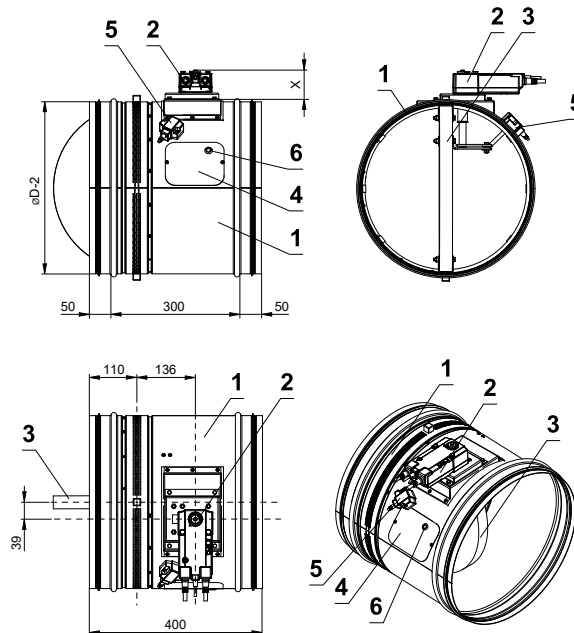
DN 100 - DN 315

The actuator cannot be rotated



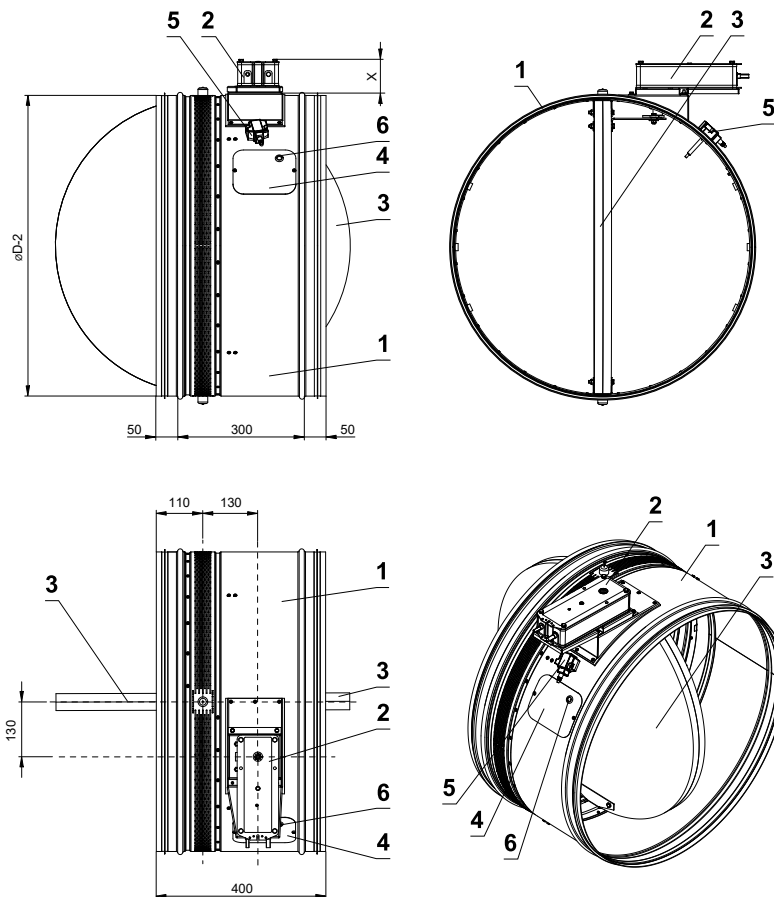
DN 350 - DN 500

The actuator can be rotated 90°



DN 560 - DN 800

The actuator can be rotated 90°



- X=53 mm (BFL) *
- X=72 mm (BFN) *
- X=78 mm (BF) *

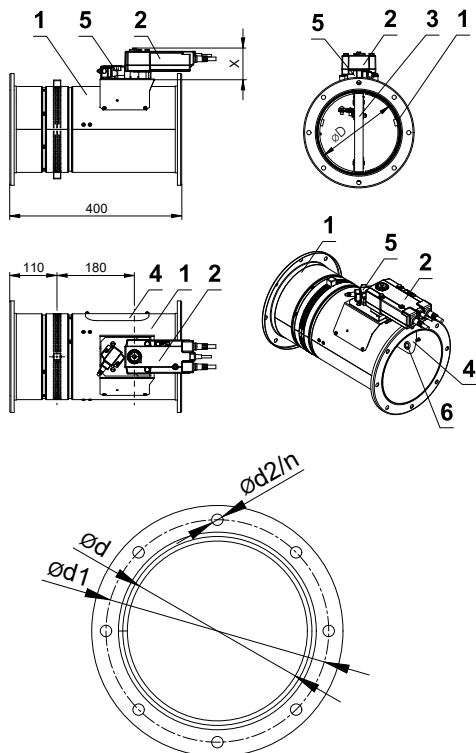
- 1 Damper casing
- 2 Spring return actuator
- 3 Damper blade
- 4 Inspection opening cover
- 5 Thermoelectric activation device BAT
- 6 Hole for camera

■ Assignment of actuators to individual sizes → see page 19

Design FLANGE with spring return actuator

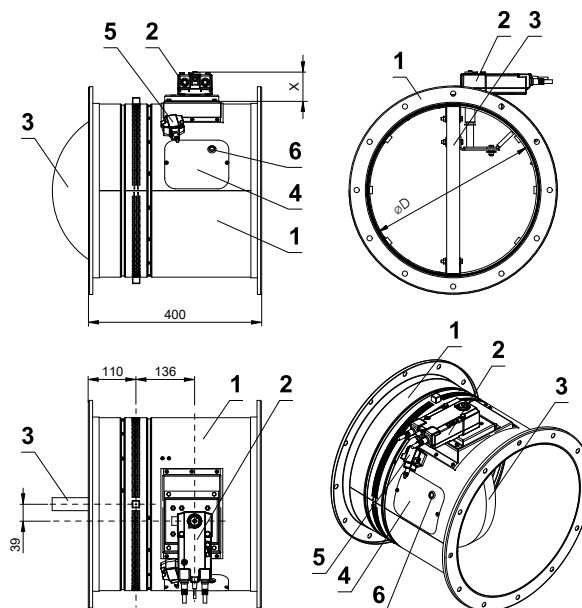
DN 100 - DN 315

The actuator cannot be rotated



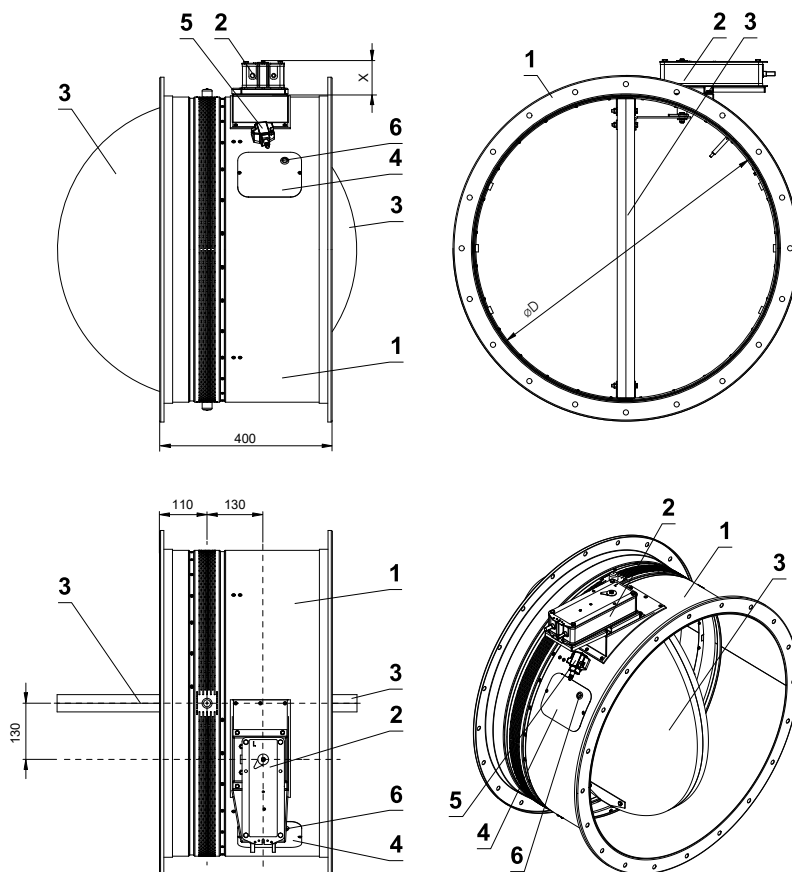
DN 355 - DN 500

The actuator cannot be rotated



DN 560 - DN 800

The actuator cannot be rotated



Ød [mm]	Ød1 [mm]	Ød2 [mm]	n number of holes in the flange
100	130	10	4
125	155	10	8
160	195	10	8
180	215	10	8
200	235	10	8
225	260	10	8
250	285	10	8
280	315	10	8
300	335	10	12
315	350	10	12
355	390	10	12
400	445	12	12
450	495	12	12
500	545	12	16
560	605	12	16
600	650	12	16
630	680	12	16
710	760	14	20
800	860	14	20

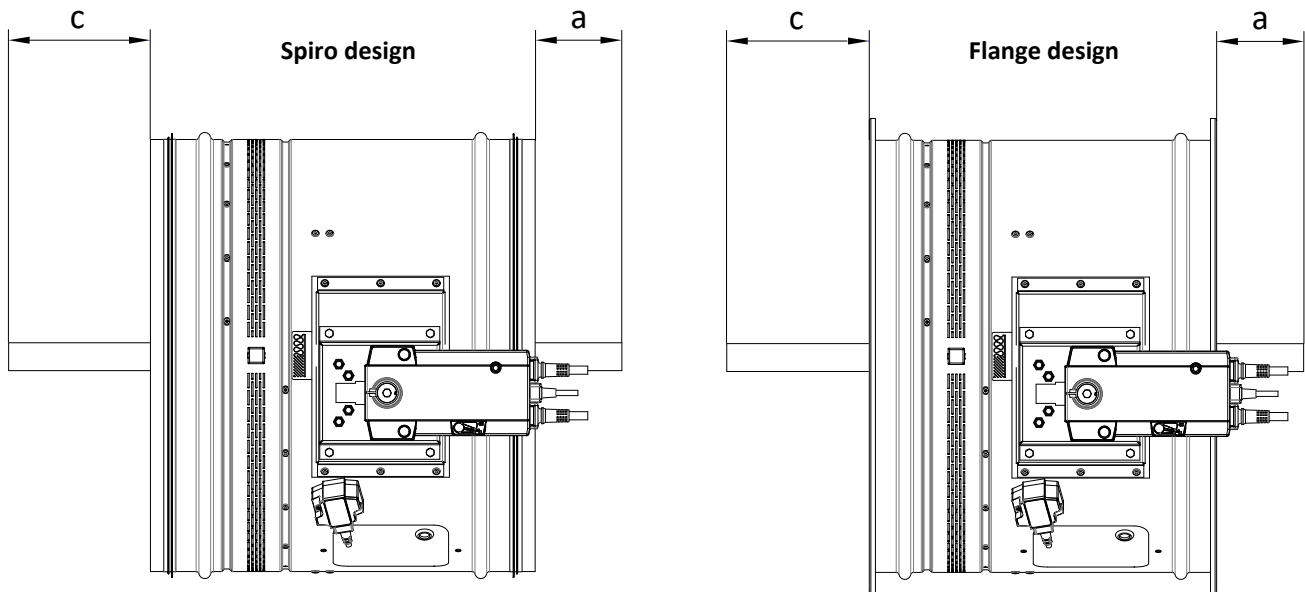
- X=70 mm (BFL - DN 100 ÷ DN 315) *
- X=53 mm (BFL - DN 355 ÷ DN 400) *
- X=72 mm (BFN) *
- X=78 mm (BF) *

- 1 Damper casing
- 2 Spring return actuator
- 3 Damper blade
- 4 Inspection opening cover
- 5 Thermolectric activation device BAT
- 6 Hole for camera

■ Assignment of actuators to individual sizes → see page 19

Damper blade overlaps

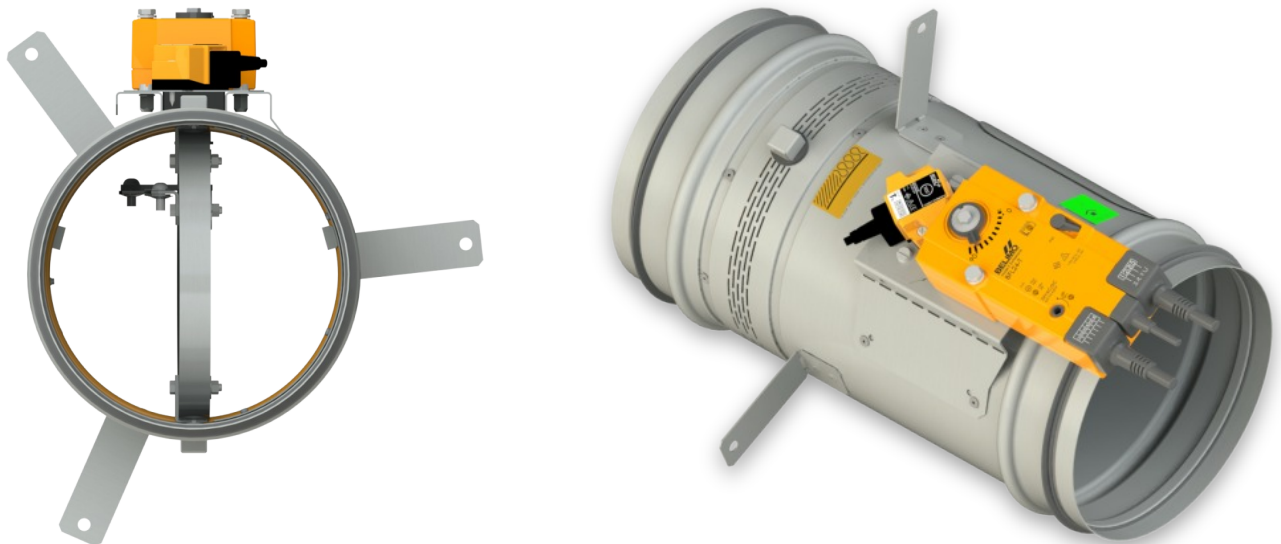
- Open damper blade overlaps the damper casing by the value "a" or "c". These values are specified in chapter Technical parameters → see page 19



Values "a" and "c" has to be respected when projecting following air-conditioning duct.

Fire damper with installation brackets

- Weight of the installation bracket is 0,04 kg.
- Number of installation brackets for individual sizes → see page 19



Technical parameters

Nominal size ØD [mm]	Damper blade overlaps		Weight		Number of installation brackets *	Effective area Sef [m ²]	Blade thickness [mm]	Spring return actuator	Manual control
	a [mm]	c [mm]	Man. control [kg]	Spring return actuator [kg] ***					
100	-	-	2,9	3,1	2	0,0031	20	BFL	M1
125	-	-	3,2	3,4	2	0,0062	20	BFL	M1
140	-	-	3,3	3,5	2	0,0085	20	BFL	M1
150	-	-	3,5	3,7	2	0,0103	20	BFL	M1
160	-	-	3,6	3,8	2	0,0123	20	BFL	M1
180	-	-	4	4,2	3	0,0166	20	BFL	M1
200	-	-	4,3	4,5	3	0,0215	20	BFL	M1
225	-	-	4,8	5	3	0,0275	25	BFL	M1
250	-	9	5,1	5,3	3	0,0354	25	BFL	M2
280	-	24	5,7	5,9	3	0,0462	25	BFL	M2
300	-	34	6,2	6,4	3	0,0542	25	BFL	M2
315	-	42	6,5	6,7	3	0,0606	25	BFL	M2
350**	-	59	8,1	8,2	3	0,0751	30	BFL	M2
355	-	62	8,2	8,3	3	0,0776	30	BFL	M2
400	-	84	9,3	9,4	3	0,1015	30	BFL	M2
450	-	109	10,4	10,8	3	0,1318	30	BFN	M3
500	-	134	11,7	12,1	3	0,1661	30	BFN	M3
560	-	164	13,4	13,8	3	0,2123	30	BFN	M3
600	4	184	14,5	16,7	3	0,2463	30	BF	M4
630	19	199	15,5	17,7	3	0,2735	30	BF	M4
710	59	239	27	29,2	4	0,3446	40	BF	M4
800	104	284	32,4	34,6	4	0,4448	40	BF	M5

* Weight of an installation bracket is 0,04 kg.

** Only spiro design SL or SK can be ordered.

*** For designs with BKN a weight of 0.5 kg must be added.

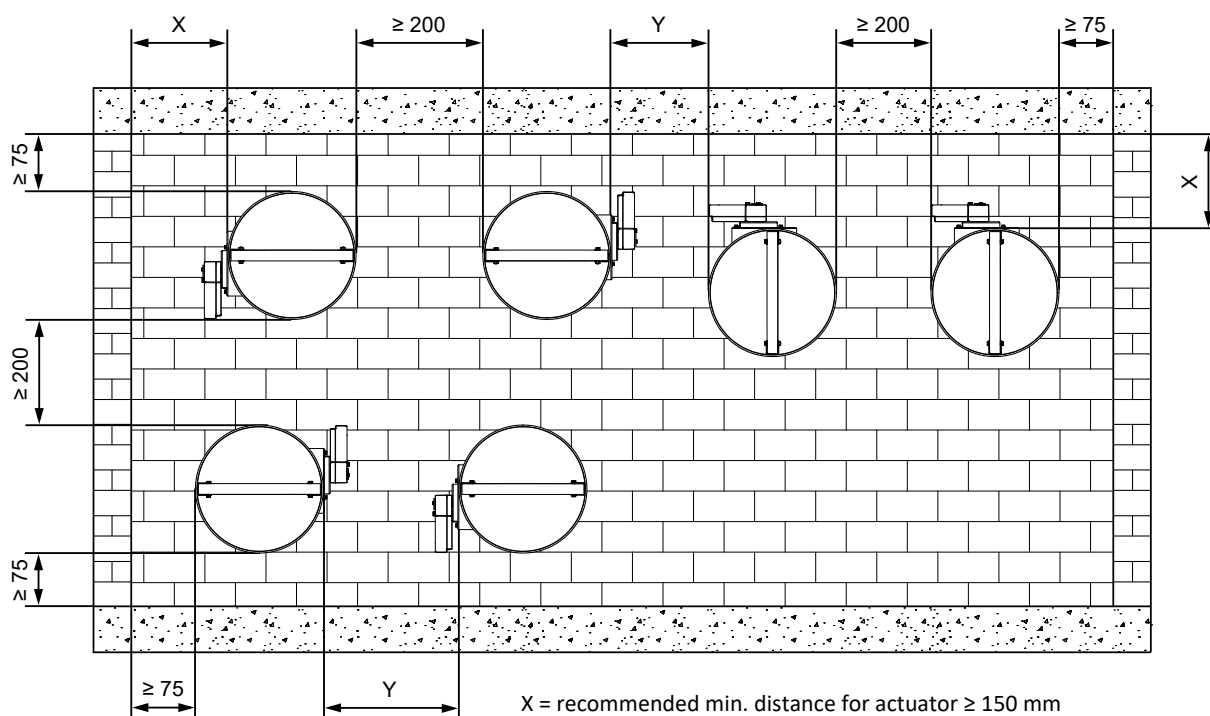
IV. INSTALLATION

Placement and installation

- The fire dampers are suitable for installation in arbitrary position in vertical and horizontal passages of fire separating constructions. The damper installation procedures must be done so that all load transfer from the fire separating constructions to the damper is absolutely excluded. Following air-conditioning duct must be suspended or supported so that all load transfer from the following duct to the fire damper is absolutely excluded. The gap between the installed damper and the fire separating construction must be perfectly filled with approved material.
- The damper must be installed so that the damper blade (in closed position) is situated in the fire separating construction - marked by the label BUILT-IN EDGE on the damper casing. If such solution is not possible, the duct between the fire separating construction and the damper blade must be protected according to the certified installation method → see pages 23 to 79
- During the installation and plastering process, the actuating mechanism must be protected (covered) against damage and pollution. The damper casing should not be deformed during bricking in. Once the damper is built in, the damper blade should not grind against the damper casing during opening or closing.
- The distance between the fire damper and the construction (wall, ceiling) must be 75 mm at the minimum, according to EN 1366-2. If two or more dampers are to be installed in one fire separating construction, the distance between adjacent dampers must be 200 mm at the minimum, according to EN 1366-2.
- Fire dampers can be installed without following duct on one or both sides. Installation without following duct is only possible in vertical constructions. In this case, the fire dampers must be installed with cover grilles (additional extension parts may be required due to overlapping of the damper blade → see page 19). The damper must be installed so that the activation device (thermal fuse/thermoelectric activation device/smoke detector) is located at the highest possible point of the damper (top of the casing).

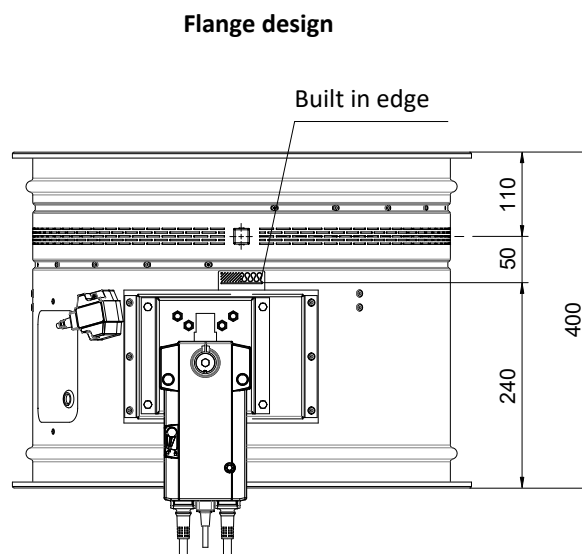
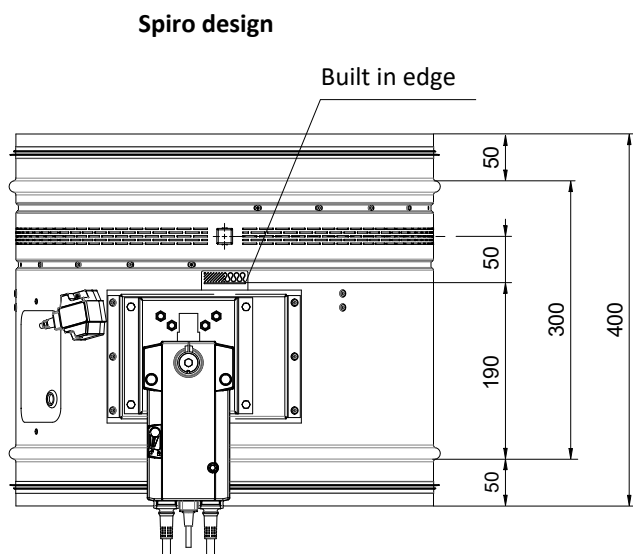
Minimum distance between the fire dampers and the construction

- minimum distance 200 mm between dampers, according to EN 1366-2
- minimum distance 75 mm between damper and construction (wall/ceiling), according to EN 1366-2
- recommended minimum distance 150 mm necessary for access to the actuator
- recommended minimum distance 250 mm necessary for access to the manual control



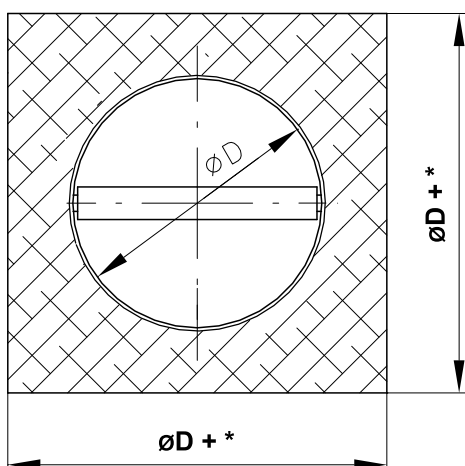
X = recommended min. distance for actuator ≥ 150 mm
 X = recommended min. distance for manual control ≥ 250 mm
 Y = min. distance for actuator ≥ 200 mm acc. to EN 1366-2
 Y = recommended min. distance for manual control ≥ 250 mm

Built in edge

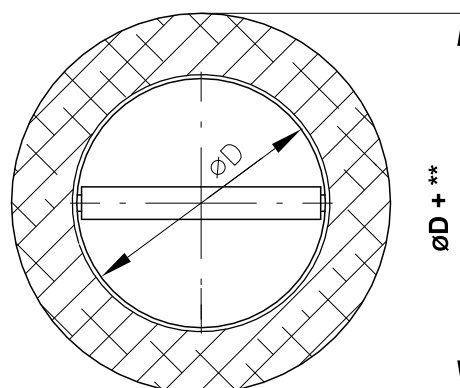


"BUILT IN EDGE label" indicates the recommended edge of installation of a fire damper in the fire separating construction (wall/ceiling). The damper must be installed so that the entire damper blade (in the closed position) is located in the fire separating construction (wall/ceiling) and at the same time the actuating mechanism and inspection openings are freely accessible.

Dimensions of an installation opening



Dimensions of an installation opening



*** Mortar or gypsum**

- min. $\varnothing D + 80$
- max. $\varnothing D + 300$

*** Ablative Coated Batt**

- min. $\varnothing D + 80$
- max. $\varnothing D + 800$

*** Fire protection foam**

- min. $\varnothing D + 80$
- max. $\varnothing D + 260$

*** Stuffing box with fire protection boards**

- min. $\varnothing D + 80$
- max. $\varnothing D + 220$

**** Mortar or gypsum**

- min. $\varnothing D + 80$
- max. $\varnothing D + 300$

Examples of constructions for fire damper installation

- The fire damper can be installed into:
 - Solid wall construction made e.g. of normal concrete/masonry or porous concrete with minimum thickness 100 mm.
 - Gypsum wall construction with fire classification EI120 or EI 90, with minimum thickness 100 mm.
 - Solid ceiling construction made e.g. of normal concrete or porous concrete with fire classification EI90 or EI 120, with minimum thickness according to EN 1366-2.
 - Outside the wall/ceiling construction. The duct and damper must be protected by fire insulation.

Statement of installations

Installation	wall/ceiling min. thickness [mm]	Method of installation	Fire resistance	Page
In solid wall construction	100	Mortar or gypsum	EI 90 (v _e i↔o) S EI 120 (v _e i↔o) S	23
		2 dampers in one opening - mortar or gypsum		24
		Ablative Coated Batt	EI 90 (v _e i↔o) S	25
		Mineral wool with fire-resistant coating and fire-resistant boards		26
		Fire-resistant foam with stucco plaster	EI 60 (v _e i↔o) S	27
		Installation next to the wall/ceiling - mortar or gypsum + mineral wool		28
		Installation next to the wall/ceiling - mortar or gypsum	EI 90 (v _e i↔o) S	29
Outside solid wall construction	100	ISOVER Ultimate Protect - mortar or gypsum	EI 60 (v _e i↔o) S	30
		ISOVER Ultimate Protect - Ablative Coated Batt	EI 90 (v _e i↔o) S	31
		Mineral wool ROCKWOOL - Mineral wool with fire-resistant coating and fire-resistant board	EI 90 (v _e i↔o) S	32
In gypsum wall construction	100	Mortar or gypsum	EI 90 (v _e i↔o) S EI 120 (v _e i↔o) S	33
		2 dampers in one opening - mortar or gypsum		34
		Ablative Coated Batt	EI 90 (v _e i↔o) S	35
		Ablative Coated Batt - wooden construction (wooden beams)		36
		Mineral wool with fire-resistant coating and fire-resistant boards		37
		Fire-resistant foam with stucco plaster	EI 60 (v _e i↔o) S	38
		Installation next to the wall/ceiling - mortar or gypsum + mineral wool	EI 90 (v _e i↔o) S	39
Outside gypsum wall construction	100	ISOVER Ultimate Protect - mortar or gypsum	EI 60 (v _e i↔o) S	41
		ISOVER Ultimate Protect - Ablative Coated Batt	EI 90 (v _e i↔o) S	42
		Mineral wool ROCKWOOL - Mineral wool with fire-resistant coating and fire-resistant boards	EI 90 (v _e i↔o) S	43
In sandwich wall construction	100	Ablative Coated Batt with fire-resistant boards	EI 90 (v _e i↔o) S	44
In shaft wall Rigips	110	Mortar or gypsum	EI 90 (v _e i↔o) S	46
	80	Installation frame R1		47
In solid ceiling construction	150	Mortar or gypsum	EI 90 (h _o i↔o) S EI 120 (h _o i↔o) S	48
		2 dampers in one opening - mortar or gypsum		49
		Ablative Coated Batt	EI 90 (h _o i↔o) S	50
		Mineral wool with fire-resistant coating and fire-resistant boards		51
Outside solid ceiling construction	150	ISOVER Ultimate Protect - mortar or gypsum (damper under ceiling)	EI 60 (h _o i↔o) S	52
		ISOVER Ultimate Protect - mortar or gypsum (damper above ceiling)	EI 90 (h _o i↔o) S	53
		Mineral wool ROCKWOOL - mortar or gypsum		54
		Concreting	EI 90 (h _o i↔o) S	55
Installation frame in solid wall construction	100 (R1), 150 (R2)	Installation frame R1, R2		58
	100 (R3), 150 (R4)	Installation frame R3, R4		67
	100	Installation frame R5	EI 90 (v _e i↔o) S	70
		2 dampers in one opening - installation frame R1		59
	100 (R1), 150 (R2)	Installation next to the wall/ceiling - installation frame R1, R2		60
100	Installation next to the wall/ceiling - installation frame R5		71	
Installation frame outside solid wall construction	100	Insulation from fire-resistant boards - mortar or gypsum - installation frame R6	EI 90 (v _e i↔o) S	75
Installation frame in gypsum wall construction	100 (R1), 150 (R2)	Installation frame R1, R2		61
	100	2 dampers in one opening - installation frame R1	EI 90 (v _e i↔o) S	62
	100 (R1), 150 (R2)	Installation next to the wall/ceiling - installation frame R1, R2		63
100	Flexible ceiling - installation frame R7		78-79	
Installation frame in solid ceiling construction	150	Installation frame R1, R2		64
		Installation frame R3, R4	EI 90 (h _o i↔o) S	68
		Installation frame R5		72
		2 dampers in one opening - installation frame R2		65
Installation frame outside solid ceiling construction	150	Concreting - installation frame R5	EI 90 (h _o i↔o) S	73
		Insulation from fire-resistant boards - mortar or gypsum - installation frame R6		76

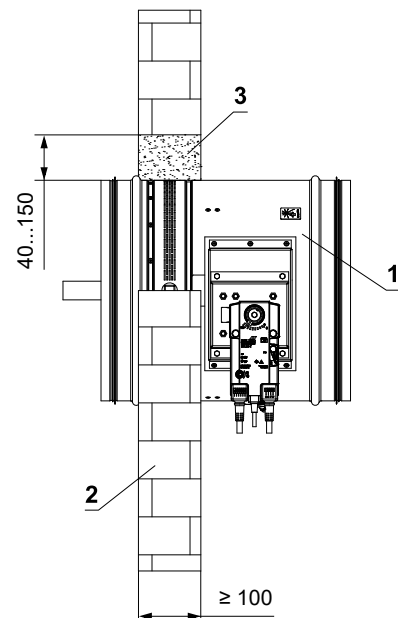
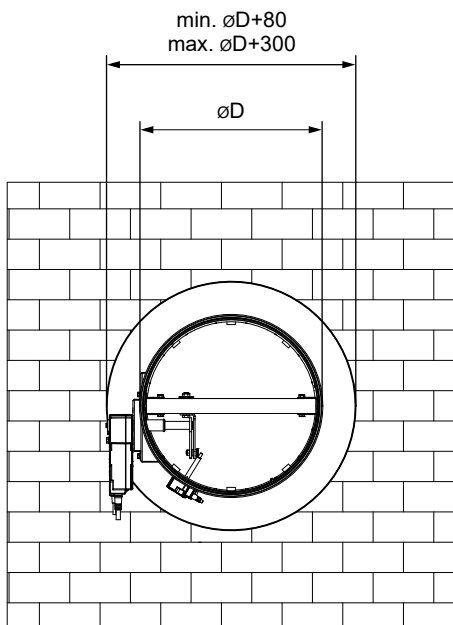
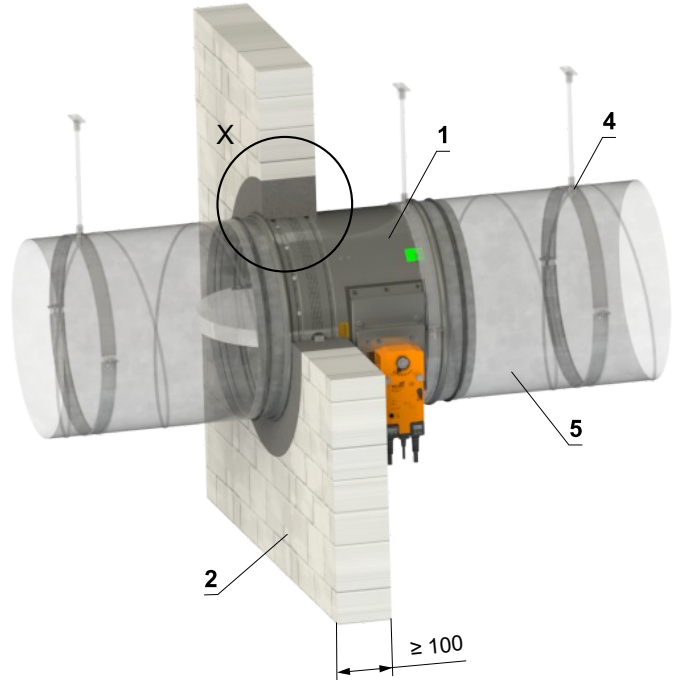
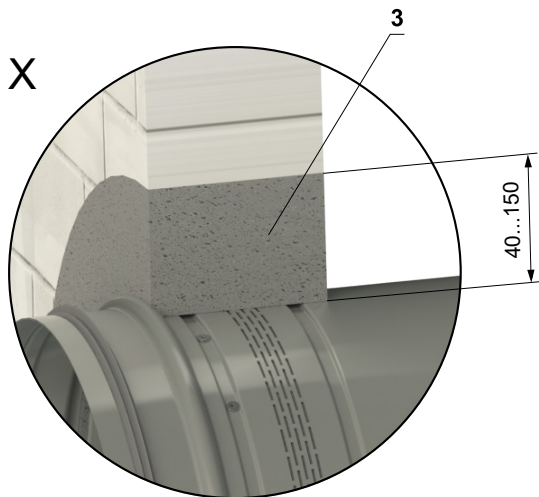
In solid wall construction

In solid wall construction - mortar or gypsum

- For connection of following duct → see page 83

EI 90 (v_e i↔o) S
 EI 120 (v_e i↔o) S
 EI 120 (v_e i↔o) S - 500 Pa*

* up to diameter DN 315 mm

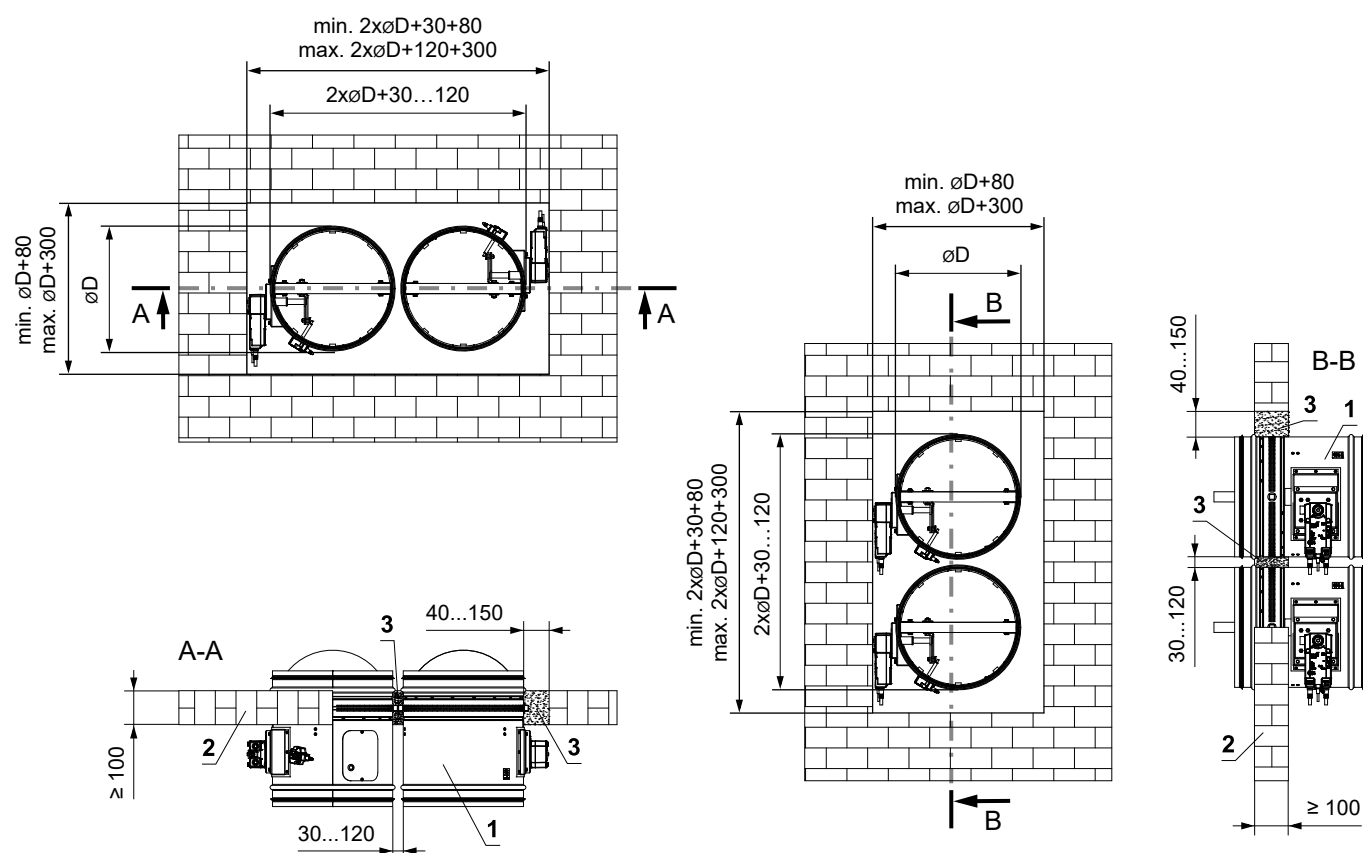
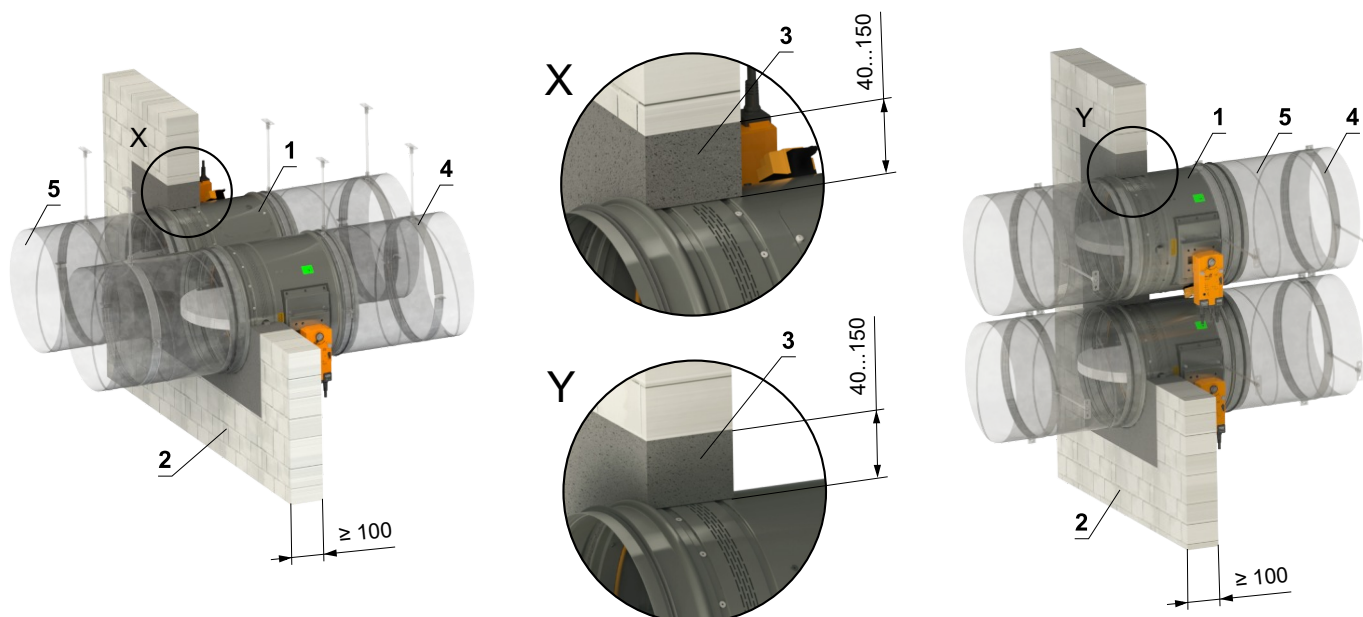


- 1 FDMR
- 2 Solid wall construction
- 3 Mortar or gypsum
- 4 Clamp with threaded rod → see pages 80 to 82
- 5 Duct

In solid wall construction - 2 dampers in one opening - mortar or gypsum

EI 90 (v_e i↔o) S

- For connection of following duct → see page 83
- The gap between the damper and construction is filled with mortar or gypsum
- It is possible to install up to 4 dampers symmetrically in one opening

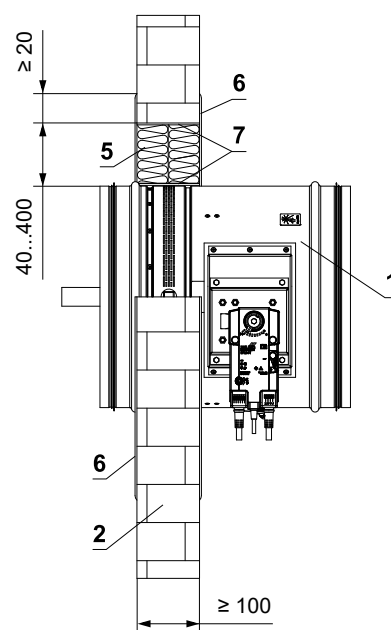
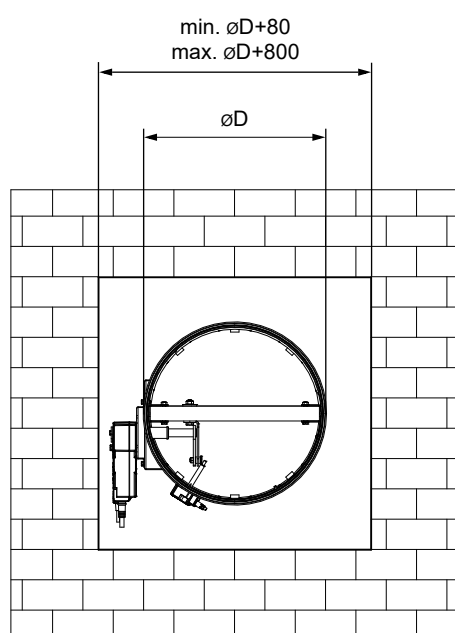
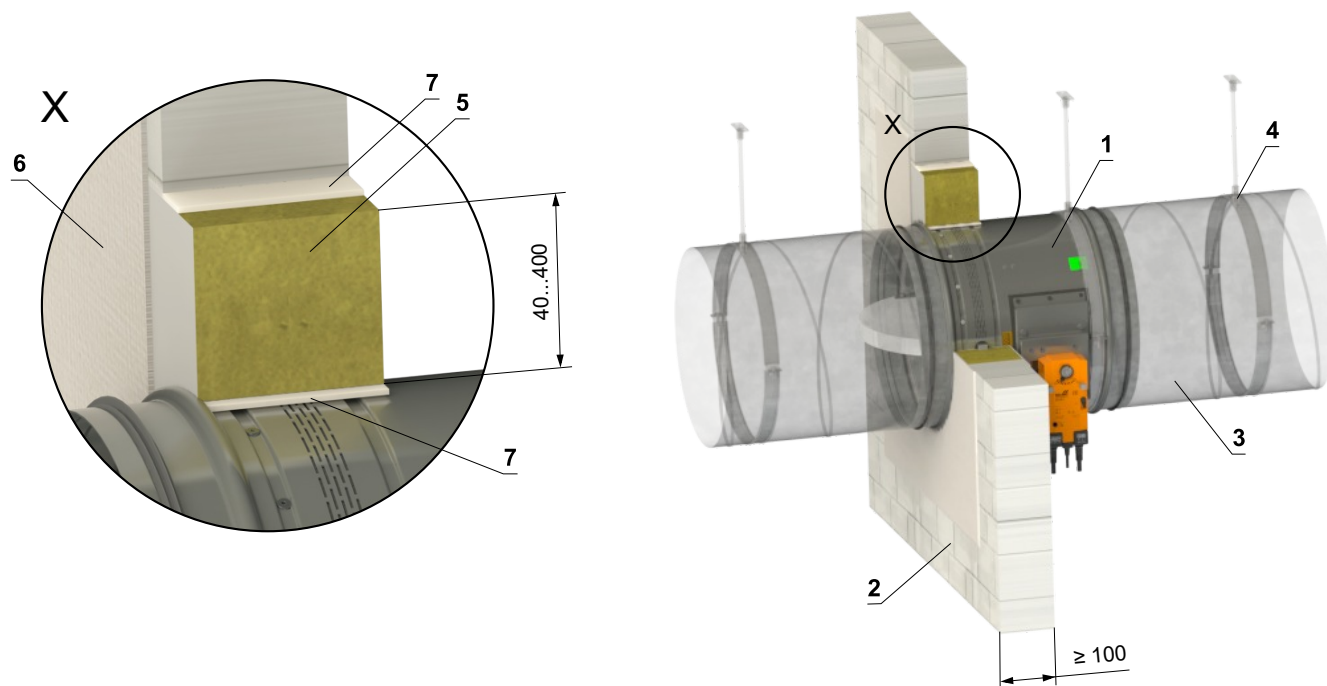


- 1 FDMR
- 2 Solid wall construction
- 3 Mortar or gypsum
- 4 Clamp with threaded rod → see pages 80 to 82
- 5 Duct

In solid wall construction - Ablative Coated Batt

EI 90 (v_e i↔o) S

- For connection of following duct → see page 83



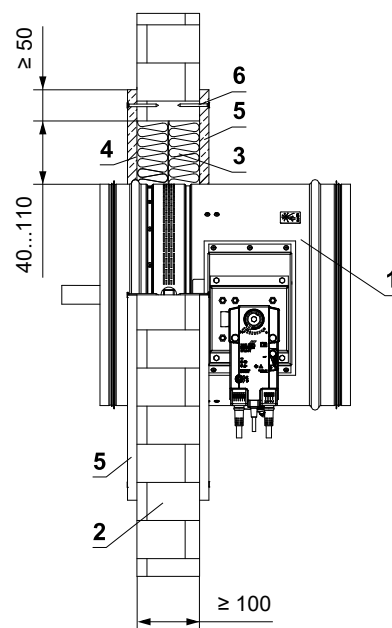
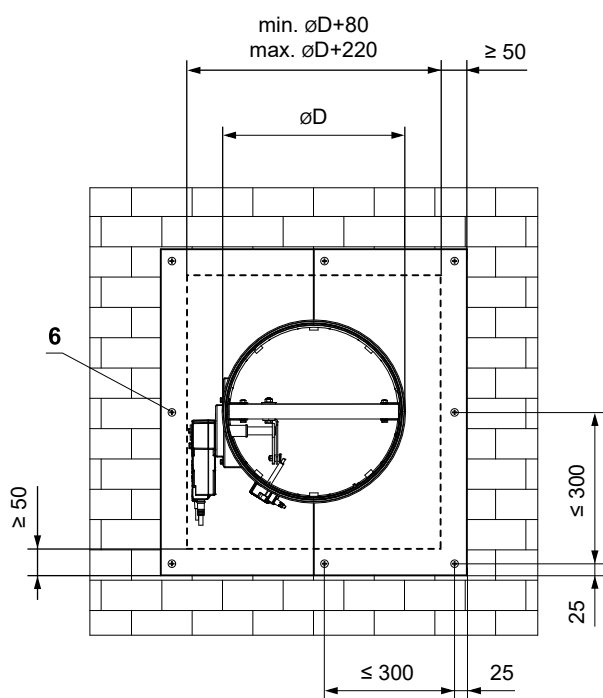
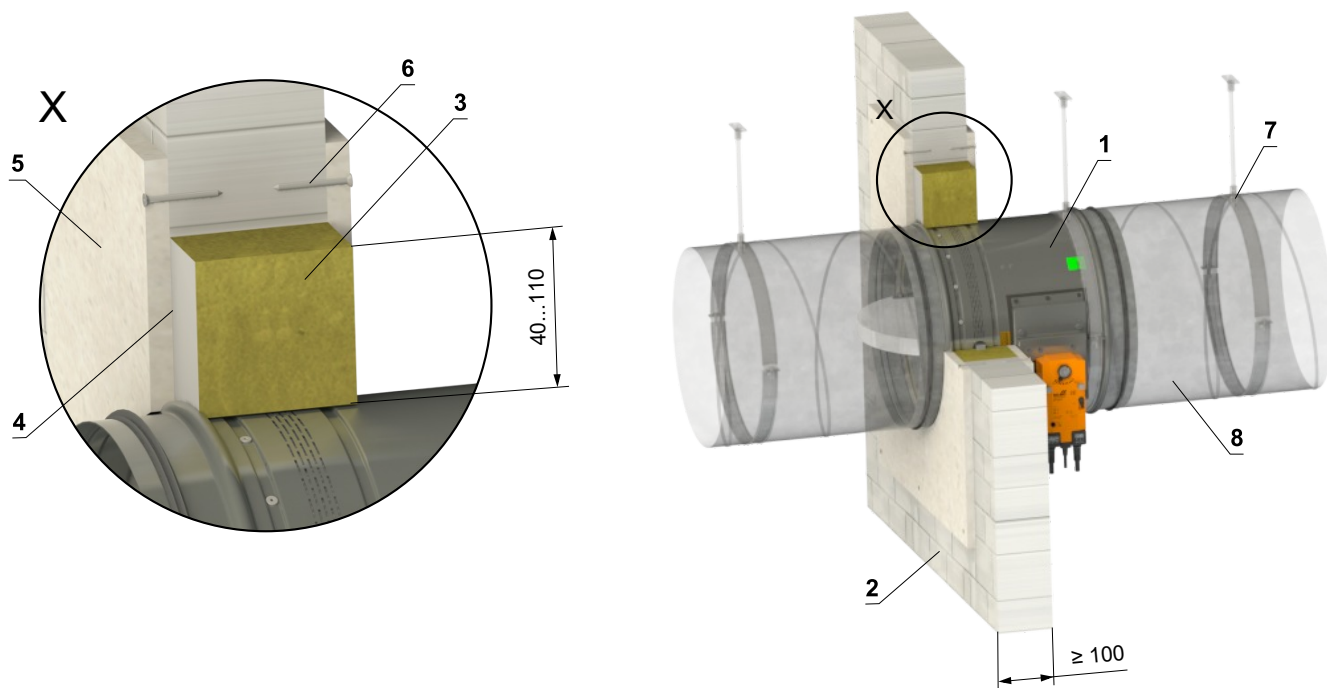
- 1 FDMR
- 2 Solid wall construction
- 3 Duct
- 4 Clamp with threaded rod → see pages 80 to 82
- Ablative Coated Batt System HILTI*
- 5 Mineral wool board - min. density 140 kg/m³ (HILTI CFS-CT B 1S 140/50...)
- 6 Fire stop coating - th. 1 mm (HILTI CFS-CT...) - coating is overcoated on the support construction and on the damper casing/duct
- 7 Fire-resistant mastic - (HILTI CFS-S ACR...) fill the gap from both sides of the fire separation construction and around the perimeter of penetration and damper casing

* HILTI system can be replaced by a similar system with the same or higher thickness, density, fire reaction class, tested according to EN 1366-3.

In solid wall construction - mineral wool with fire-resistant coating and fire-resistant boards

EI 90 (v_e i↔o) S

■ For connection of following duct → see page 83

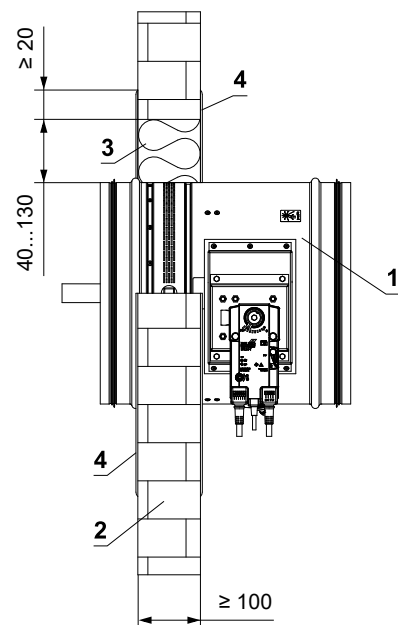
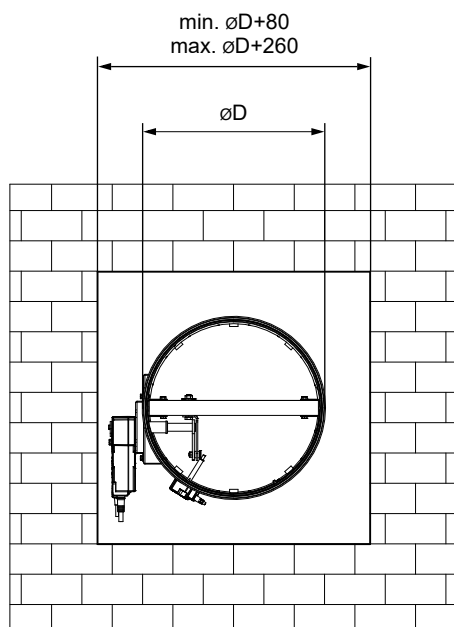
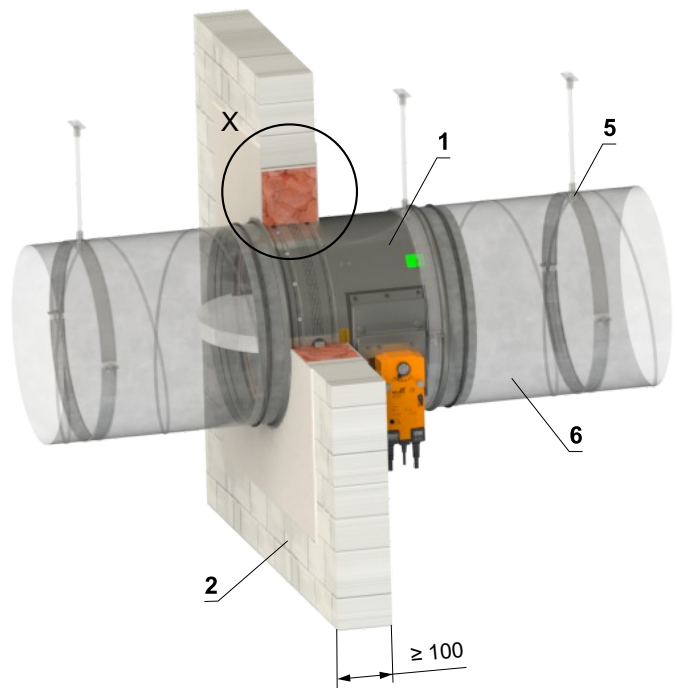
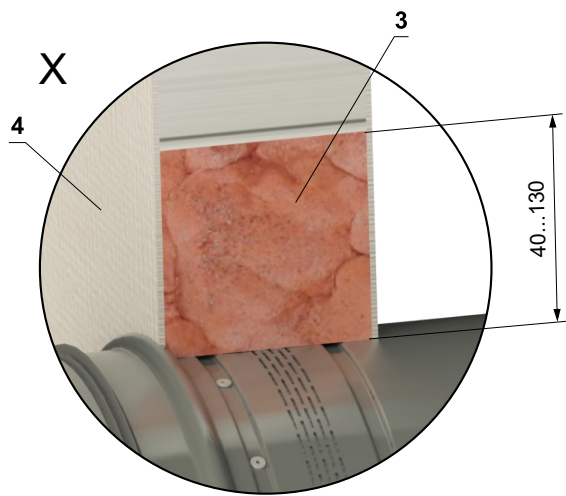


- 1 FDMR
- 2 Solid wall construction
- 3 Mineral wool board - min. density 140 kg/m³ (e.g. PROMAPYR-T150, ROCKWOOL HARDROCK / STEPROCK HD)
- 4 Fire-resistant coating - th. 1 mm (e.g. PROMASTOP-I)
- 5 Fire-resistant board - min. th. 15 mm, min. density 870 kg/m³ (e.g. PROMATECT-H)
- 6 Screw 4x50 mm - screws must be fixed in the wall construction, use steel anchors if necessary
- 7 Clamp with threaded rod → see pages 80 to 82
- 8 Duct

In solid wall construction - fire-resistant foam with stucco plaster

EI 60 (v_e i↔o) S

- For connection of following duct → see page 83
- Installation is limited to DN 200 mm diameter

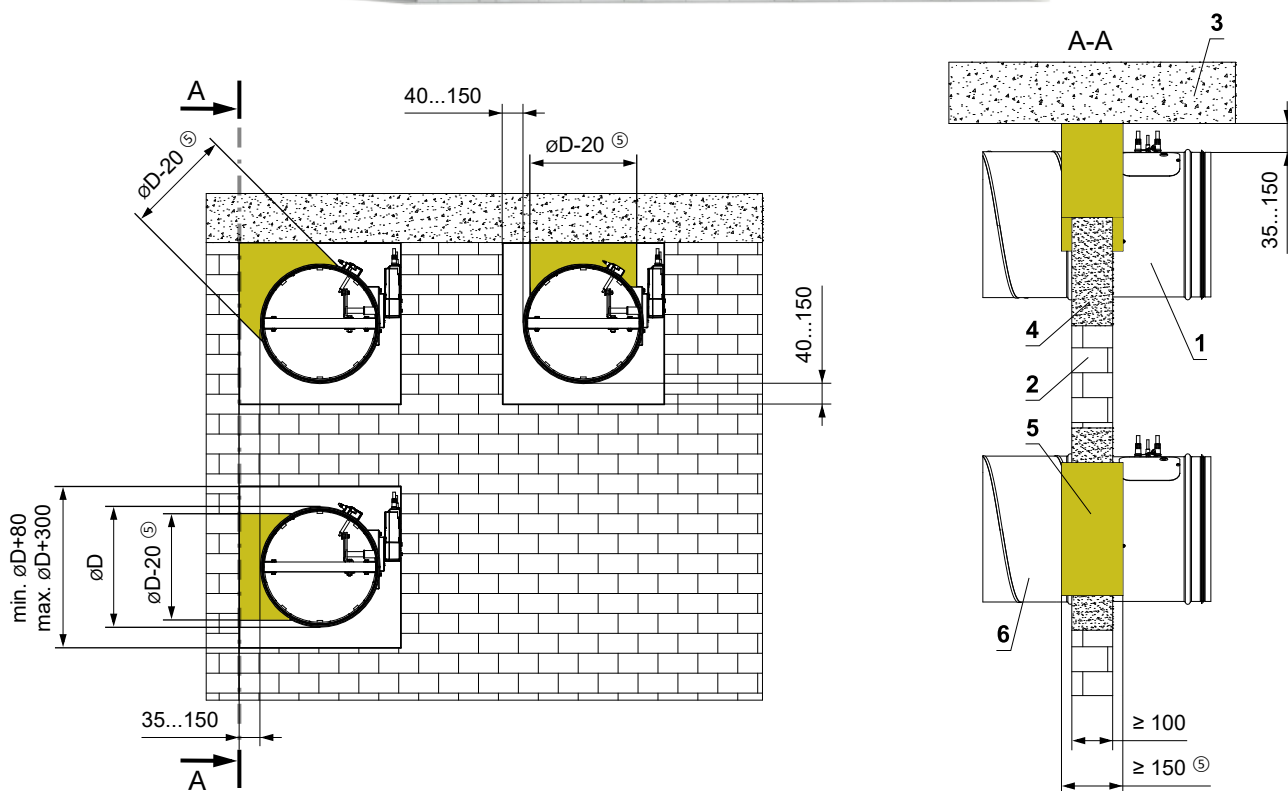
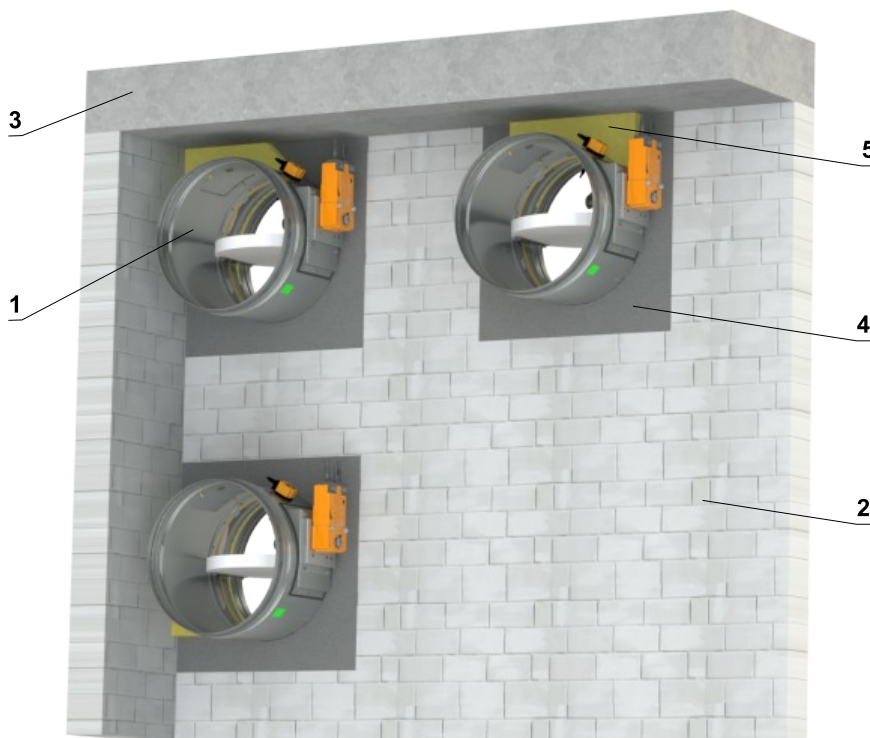


- 1 FDMR
- 2 Solid wall construction
- 3 Fire-resistant foam HILTI CFS-F FX
- 4 Stucco plaster
- 5 Clamp with threaded rod → see pages 80 to 82
- 6 Duct

In solid wall construction - installation next to the wall/ceiling - mortar or gypsum + mineral wool

EI 90 (v_e i↔o) S

- For connection of following duct → see page 83
- Conditions of this installation are also valid for the installation in Solid ceiling construction
- Penetration is filled with mortar or gypsum + mineral wool (shape, according to the location of the damper). Fix the mineral wool with glue (e.g. Promat K84 or equivalent) to the construction and damper casing

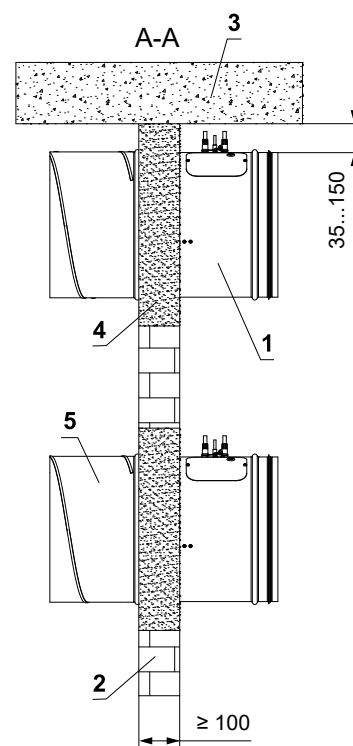
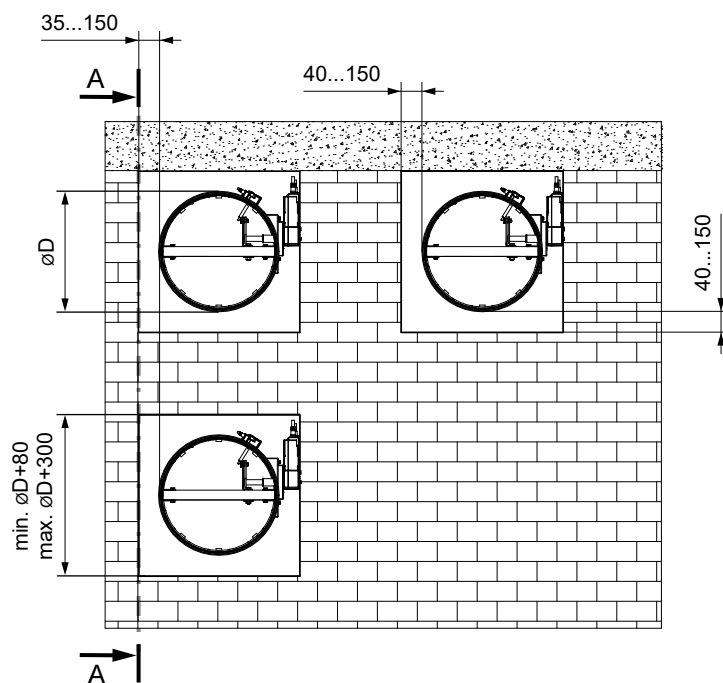
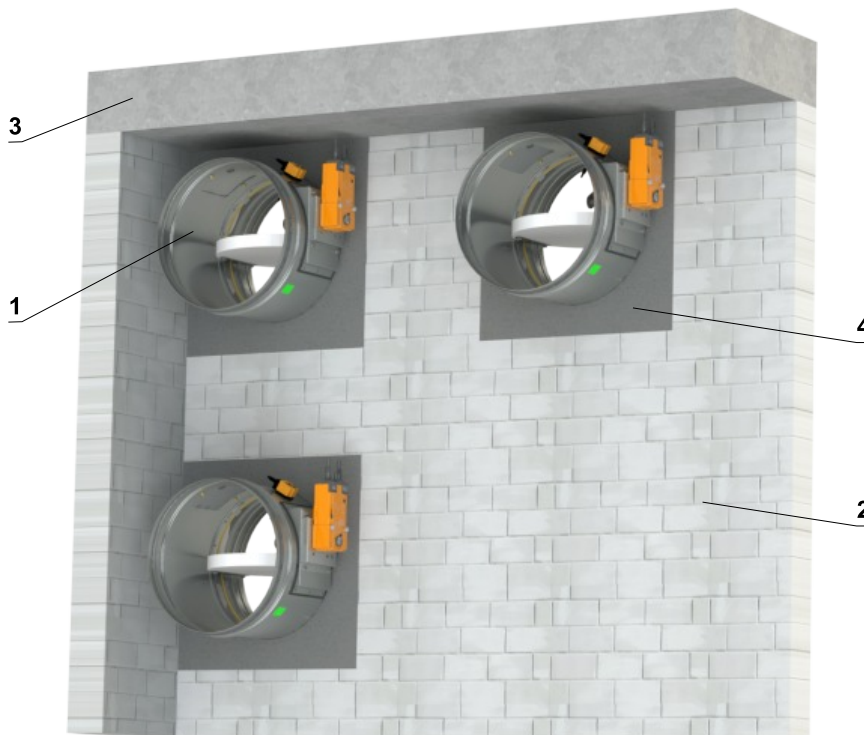


- 1 FDMR
- 2 Solid wall construction
- 3 Solid ceiling construction
- 4 Mortar or gypsum
- 5 Mineral wool board - min. density 140 kg/m³ (e.g. PROMAPYR-T150, ROCKWOOL HARDROCK / STEPROCK HD)
- 6 Duct

In solid wall construction - installation next to the wall/ceiling - mortar or gypsum

EI 90 (v_e i↔o) S

- For connection of following duct → see page 83
- Conditions of this installation are also valid for the installation in Solid ceiling construction



- 1 FDMR
- 2 Solid wall construction
- 3 Solid ceiling construction
- 4 Mortar or gypsum
- 5 Duct

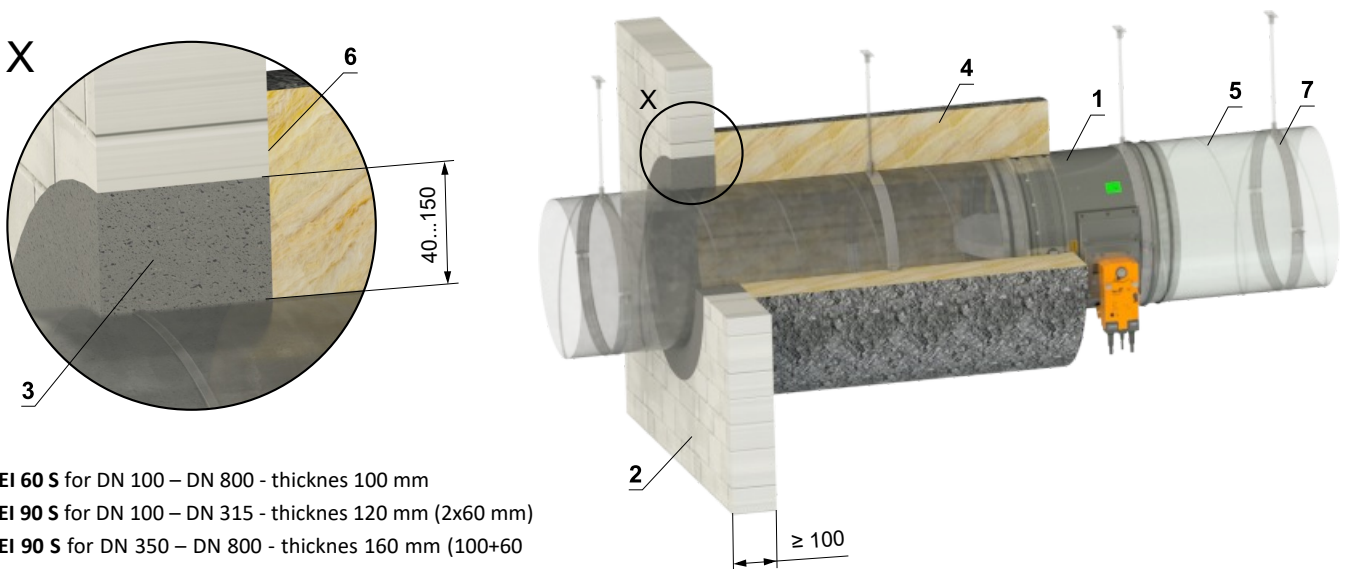
Installation outside solid wall construction

Outside solid wall construction - ISOVER Ultimate Protect - mortar or gypsum

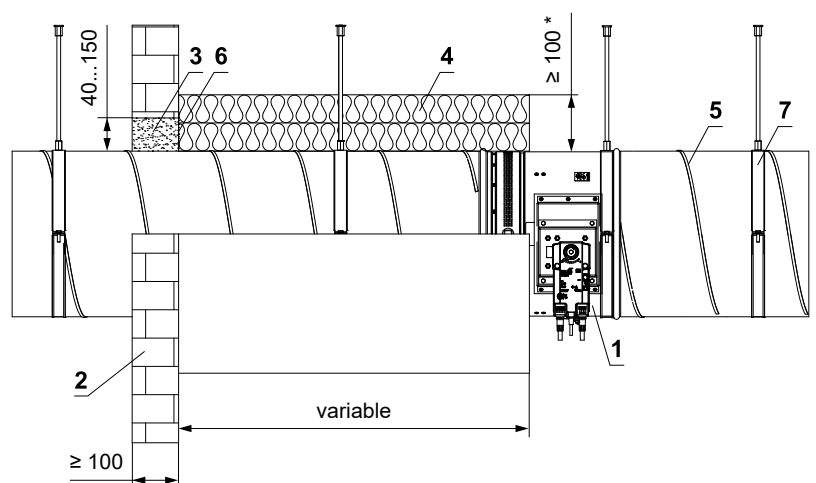
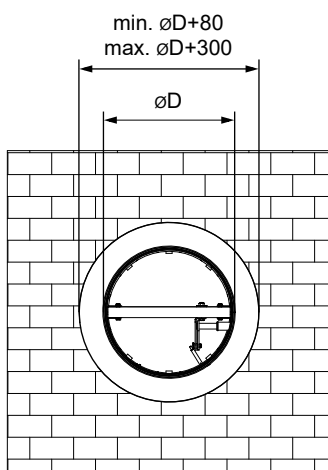
EI 60 (v_e i↔o) S

EI 90 (v_e i↔o) S

- For connection of following duct → see page 83
- Minimum and maximum distance between the wall and fire damper is unlimited
- When installing the insulation, follow the ISOVER manufacturer's instructions
- The damper and the duct must be suspended separately
- The duct must be suspended on both sides of damper acc. to national rules
- Duct between fire damper and fire separating construction must be suspended by using threaded rods and mounting profiles, or another mounting system acc. to national standards
- Load of the suspension system depends on weight of the fire damper and duct system → see page 80
- Max. distance between two suspension systems is 1500 mm
- Following air-conditioning duct must be suspended or supported so that all load transfer from the following duct to the fire damper is absolutely excluded. Adjacent duct must be suspended or supported, as required by the duct suppliers
- If the threaded rod is located inside the duct insulation, distance between threaded rod and duct is max 30 mm
- If the threaded rod is located outside the duct isolation, distance between threaded rod and isolation is max. 40 mm



- * EI 60 S for DN 100 – DN 800 - thicknes 100 mm
- EI 90 S for DN 100 – DN 315 - thicknes 120 mm (2x60 mm)
- EI 90 S for DN 350 – DN 800 - thicknes 160 mm (100+60)



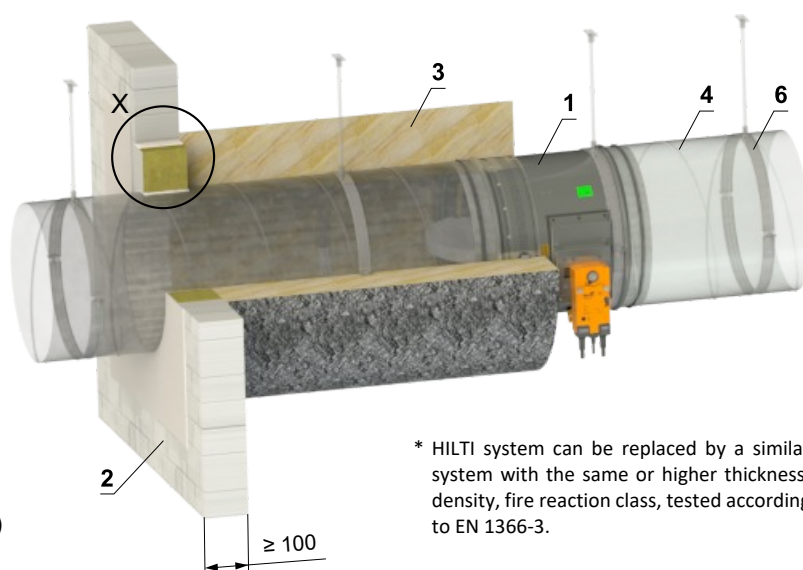
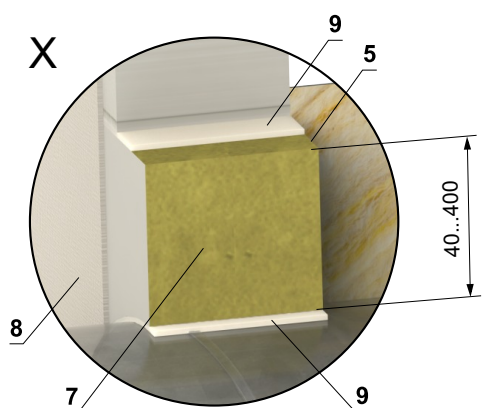
- 1 FDMR
- 2 Solid wall construction
- 3 Mortar or gypsum
- 4 Insulation board made of mineral wool, with a surface treatment of aluminum foil, min. density 66 kg/m³ (System ISOVER Ultimate Protect Wired Mat 4.0 Alu1)*
- 5 Standard air duct, made of galvanized sheet metal min. thickness 0,8 mm
- 6 ISOVER Protect BSK glue - apply on the insulation and fix it to the fire separation construction
- 7 Clamp with threaded rod → see pages 80 to 82

Outside solid wall construction - ISOVER Ultimate Protect - Ablative Coated Batt

EI 60 (v_e i↔o) S

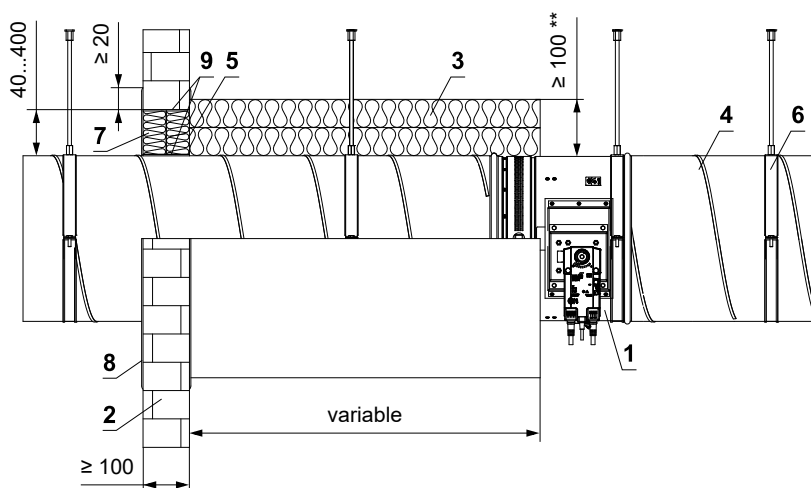
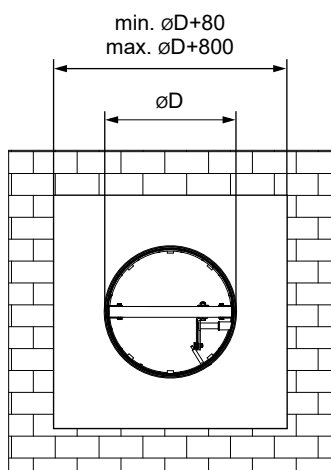
EI 90 (v_e i↔o) S

- For connection of following duct → see page 83
- Minimum and maximum distance between the wall and fire damper is unlimited
- When installing the insulation, follow the ISOVER manufacturer's instructions
- The damper and the duct must be suspended separately
- The duct must be suspended on both sides of damper acc. to national rules
- Duct between fire damper and fire separating construction must be suspended by using threaded rods and mounting profiles, or another mounting system acc. to national standards
- Load of the suspension system depends on weight of the fire damper and duct system → see page 80
- Max. distance between two suspension systems is 1500 mm
- Duct at the point of penetration must be fixed to the fire separation structure
- Following air-conditioning duct must be suspended or supported so that all load transfer from the following duct to the fire damper is absolutely excluded. Adjacent duct must be suspended or supported, as required by the duct suppliers
- If the threaded rod is located inside the duct insulation, distance between threaded rod and duct is max 30 mm
- If the threaded rod is located outside the duct isolation, distance between threaded rod and isolation is max. 40 mm



** EI 60 S for DN 100 – DN 800 - thickness 100 mm
 EI 90 S for DN 100 – DN 315 - thickness 120 mm (2x60 mm)
 EI 90 S for DN 350 – DN 800 - thickness 160 mm (100+60 mm)

* HILTI system can be replaced by a similar system with the same or higher thickness, density, fire reaction class, tested according to EN 1366-3.

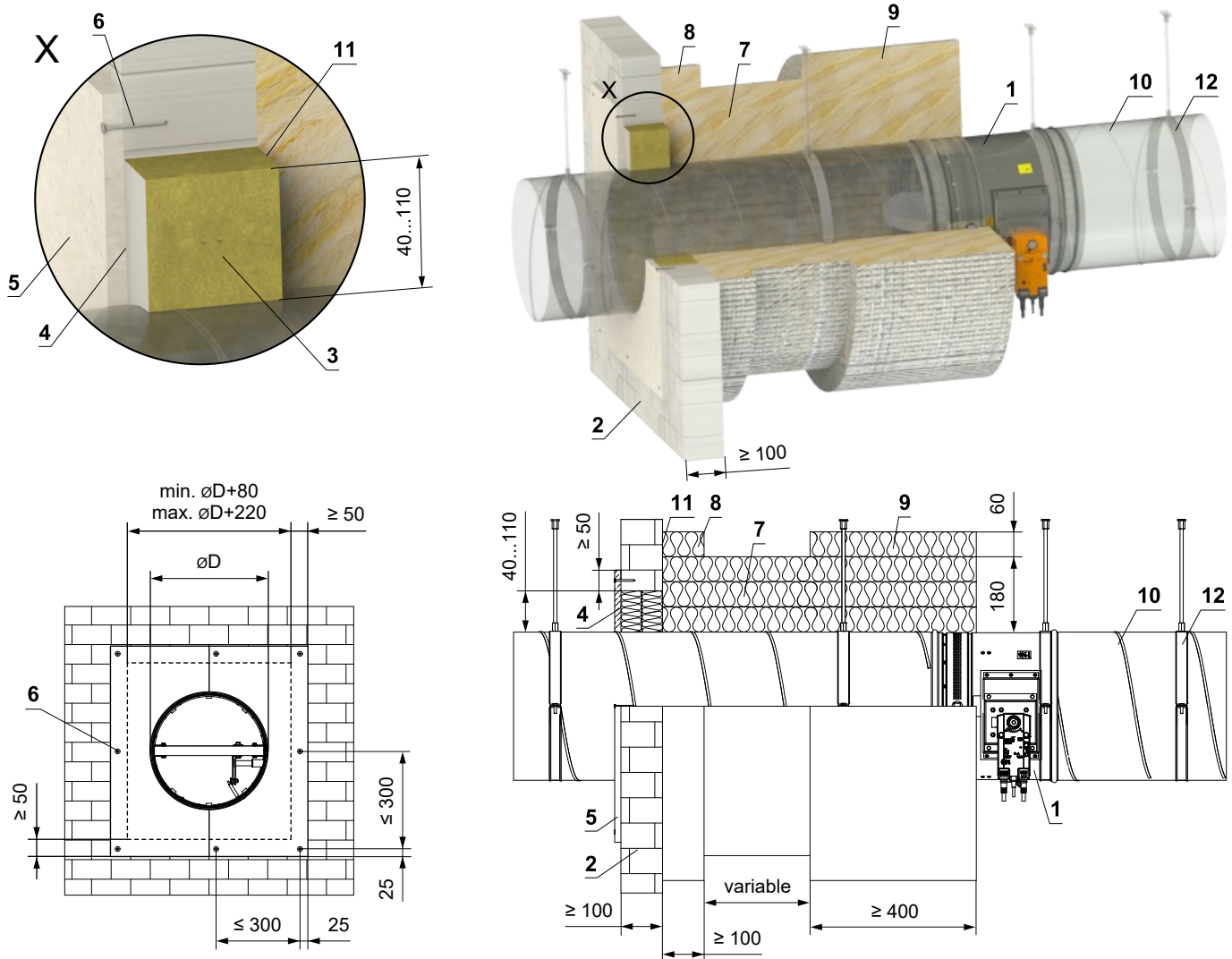


- 1 FDMR
 - 2 Solid wall construction
 - 3 Insulation board made of mineral wool, with a surface treatment of aluminum foil, min. density 66 kg/m³ (System ISOVER Ultimate Protect Wired Mat 4.0 Alu1)**
 - 4 Standard air duct, made of galvanized sheet metal min. thickness 0,8 mm
 - 5 ISOVER Protect BSK glue - apply on the insulation and fix it to the fire separation construction
 - 6 Clamp with threaded rod → see pages 80 to 82
- Ablative Coated Batt System HILTI*
- 7 Mineral wool board - min. density 140 kg/m³ (HILTI CFS-CT B 1S 140/50...)
 - 8 Fire stop coating - th. 1 mm (HILTI CFS-CT...) - coating is overcoated on the support construction and on the damper casing/duct
 - 9 Fire-resistant mastic - (HILTI CFS-S ACR...) fill the gap from both sides of the fire separation construction and around the perimeter of penetration and damper casing

Outside solid wall construction - mineral wool ROCKWOOL - mineral wool with fire-resistant coating and fire-resistant board

EI 90 (v_e i↔o) S

- For connection of following duct → see page 83
- Minimum and maximum distance between the wall and fire damper is unlimited
- When installing the insulation, follow the ROCKWOOL manufacturer's instructions
- The damper and the duct must be suspended separately
- The duct must be suspended on both sides of damper acc. to national rules
- Duct between fire damper and fire separating construction must be suspended by using threaded rods and mounting profiles, or another mounting system acc. to national standards
- Load of the suspension system depends on weight of the fire damper and duct system → see page 80
- Max. distance between two suspension systems is 1500 mm
- Duct at the point of penetration must be fixed to the fire separation structure
- Following air-conditioning duct must be suspended or supported so that all load transfer from the following duct to the fire damper is absolutely excluded. Adjacent duct must be suspended or supported, as required by the duct suppliers
- If the threaded rod is located inside the duct insulation, distance between threaded rod and duct is max 30 mm
- If the threaded rod is located outside the duct isolation, distance between threaded rod and isolation is max. 40 mm



- 1 FDMR
- 2 Solid wall construction
- 3 Mineral wool board - min. density 140 kg/m³ (e.g. PROMAPYR-T150, ROCKWOOL HARDROCK / STEPROCK HD)
- 4 Fire-resistant coating - th. 1 mm (e.g. PROMASTOP-I)
- 5 Fire-resistant board - min. th. 15 mm, min. density 870 kg/m³ (e.g. PROMATECT-H)
- 6 Screw 4x50 mm - screws must be fixed in the wall construction, use steel anchors if necessary

- 7 Insulation board made of mineral wool, with a surface treatment of aluminum foil - thickness 180 mm (3x60 mm), min. density 105 kg/m³ - (ROCKWOOL System Wired Mat 105 Alu)
- 8 Duct penetration insulation collar - th. 60 mm (System ROCKWOOL Wired Mat 105 Alu) - glued (pos. 11) and fixed with screws to the wall construction
- 9 Insulation collar of the damper and duct connection - th. 60 mm (System ROCKWOOL Wired Mat 105 Alu)
- 10 Standard air duct, made of galvanized sheet metal min. thickness 0,8 mm
- 11 ROCKWOOL Firepro glue - apply on the insulation and fix it to the fire separation construction
- 12 Clamp with threaded rod → see pages 80 to 82

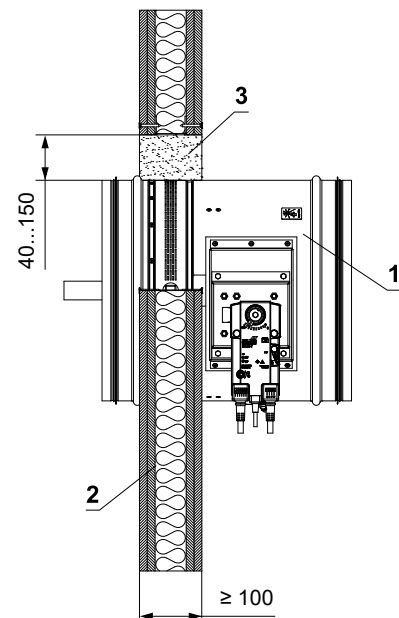
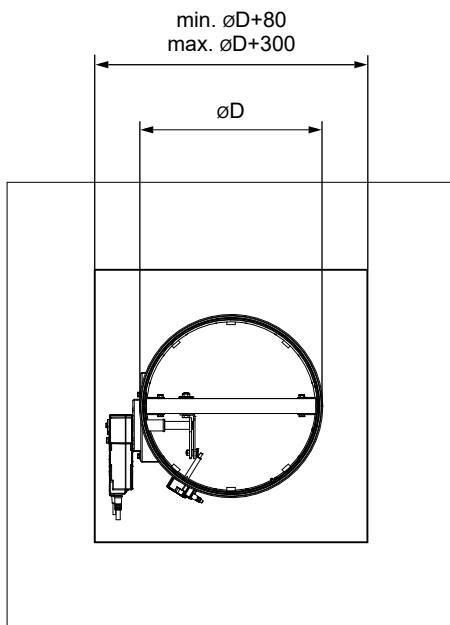
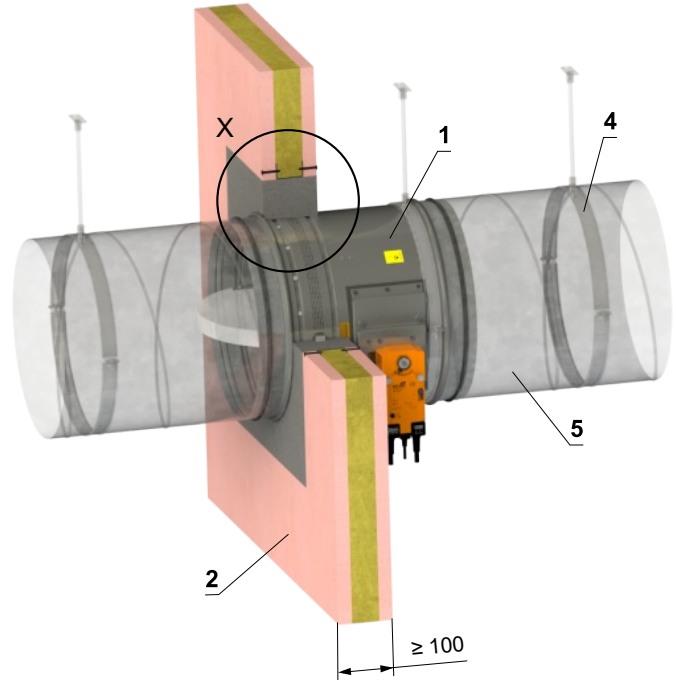
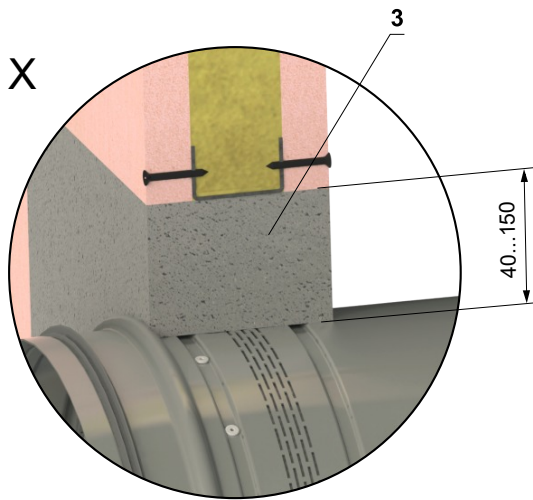
In gypsum wall construction

In gypsum wall construction - mortar or gypsum

- For connection of following duct → see page 83

EI 90 (v_e i↔o) S
 EI 120 (v_e i↔o) S
 EI 120 (v_e i↔o) S - 500 Pa*

* up to diameter DN 315 mm

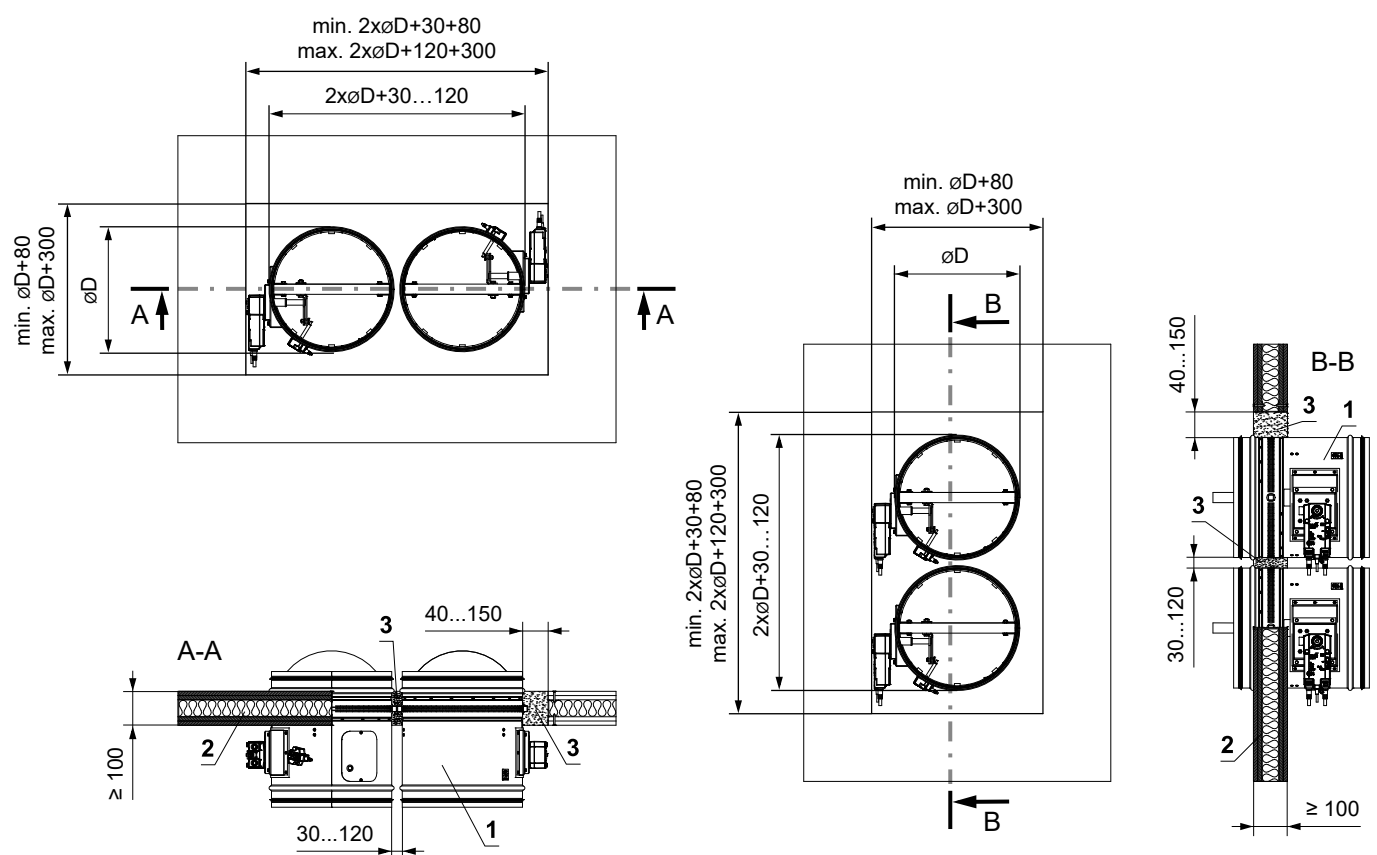
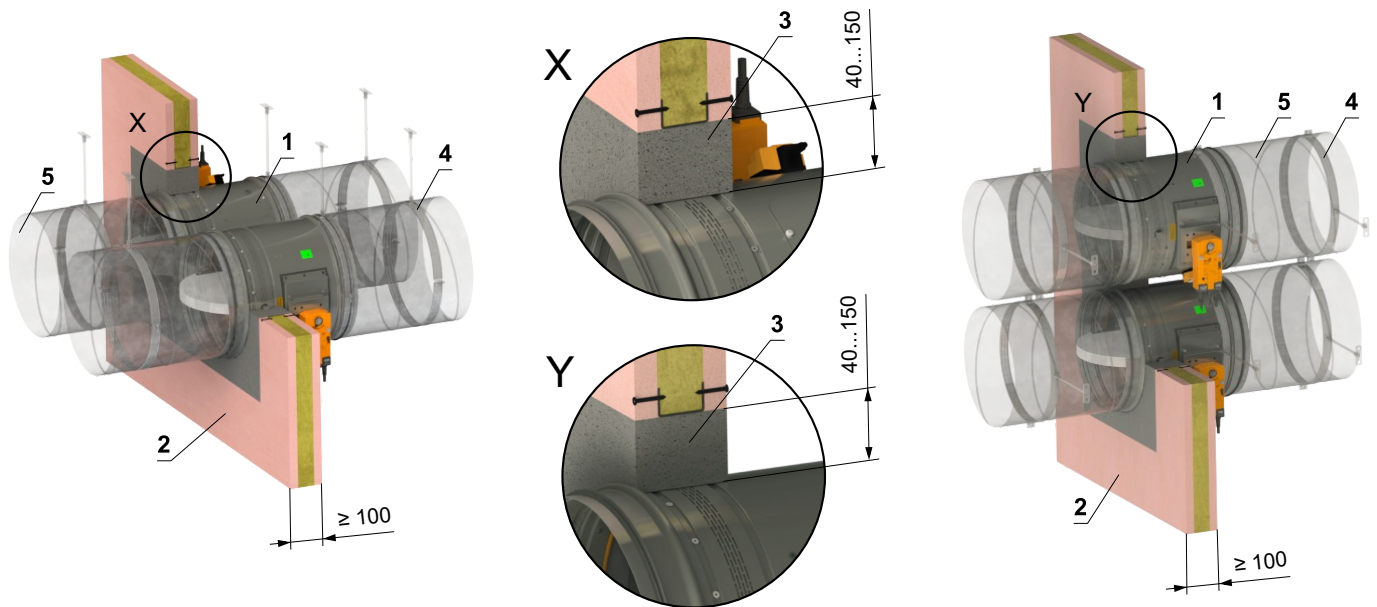


- 1 FDMR
- 2 Gypsum wall construction
- 3 Mortar or gypsum
- 4 Clamp with threaded rod → see pages 80 to 82
- 5 Duct

In gypsum wall construction - 2 dampers in one opening - mortar or gypsum

EI 90 (v_e i↔o) S

- For connection of following duct → see page 83
- The gap between the damper and construction is filled with mortar or gypsum
- It is possible to install up to 4 dampers symmetrically in one opening

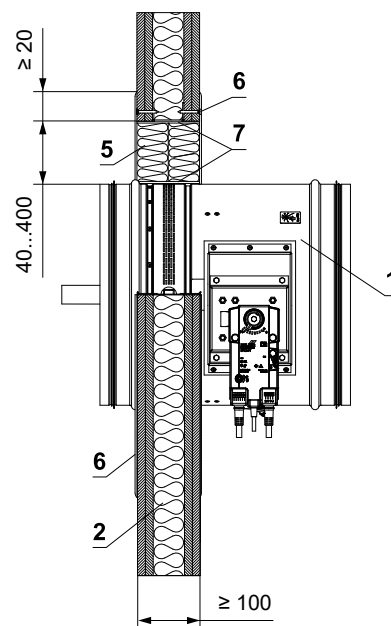
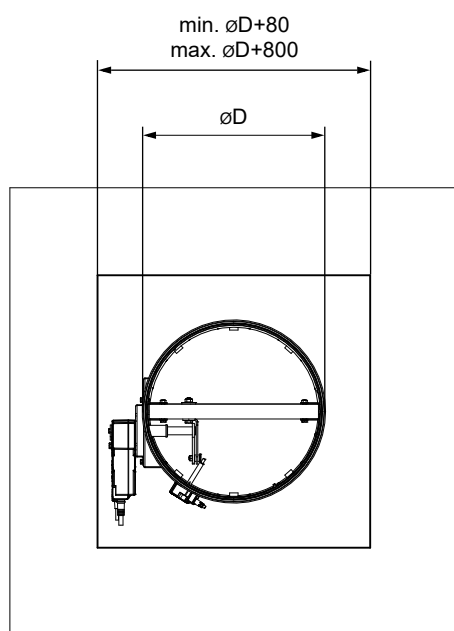
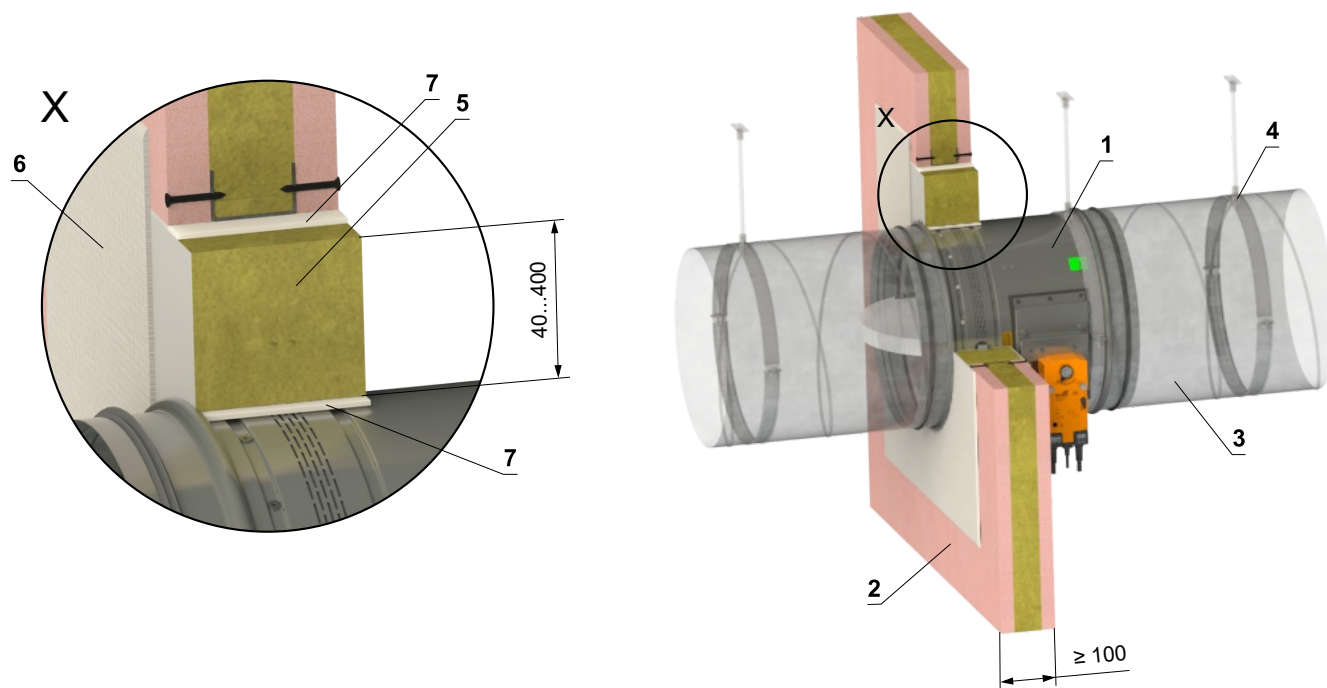


- 1 FDMR
- 2 Gypsum wall construction
- 3 Mortar or gypsum
- 4 Clamp with threaded rod → see pages 80 to 82
- 5 Duct

In gypsum wall construction - Ablative Coated Batt

EI 90 (v_e i↔o) S

- For connection of following duct → see page 83



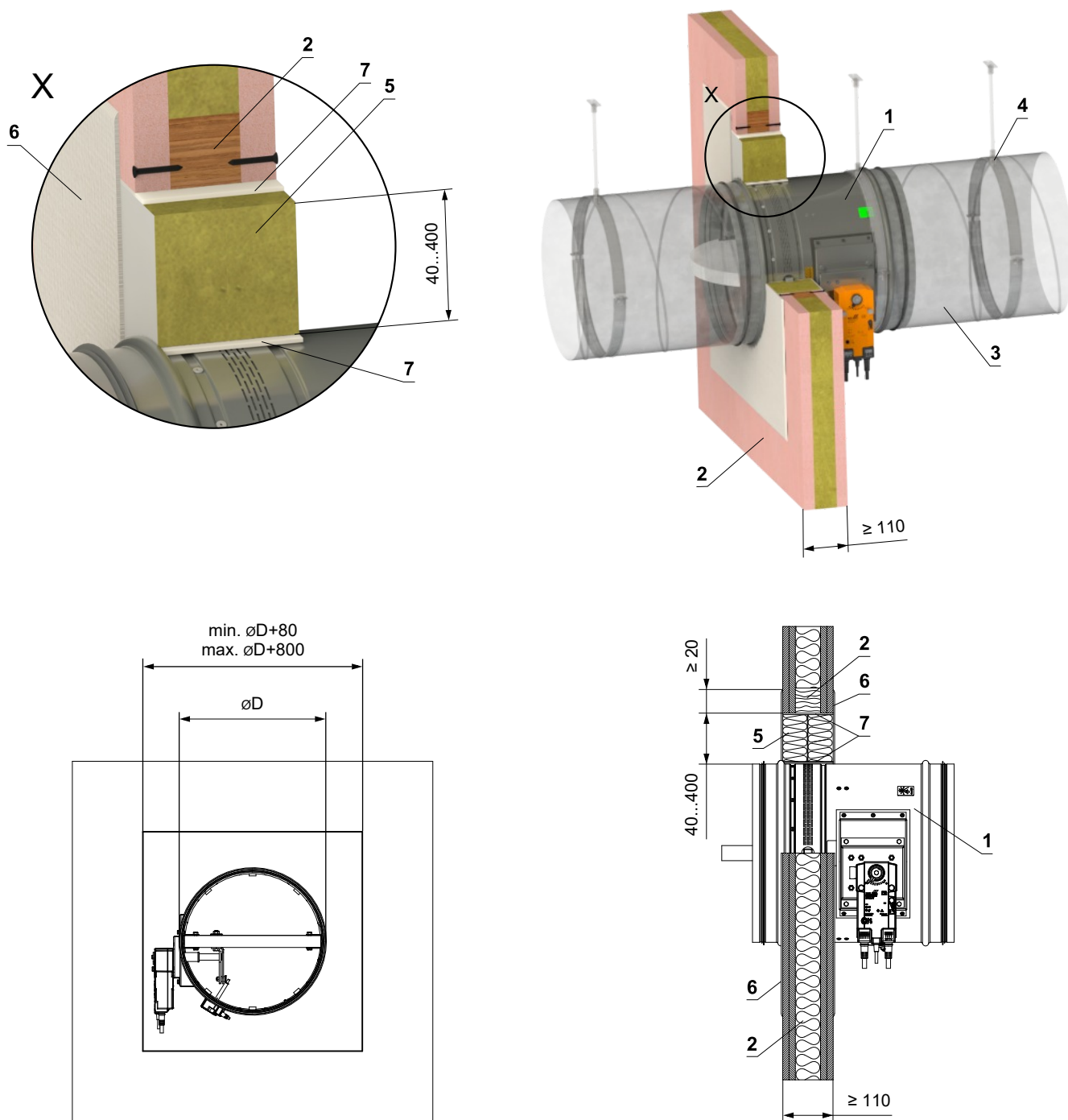
- 1 FDMR
 - 2 Gypsum wall construction
 - 3 Duct
 - 4 Clamp with threaded rod → see pages 80 to 82
- Ablative Coated Batt System HILTI*
- 5 Mineral wool board - min. density 140 kg/m³ (HILTI CFS-CT B 1S 140/50...)
 - 6 Fire stop coating - th. 1 mm (HILTI CFS-CT...) - coating is overcoated on the support construction and on the damper casing/duct
 - 7 Fire-resistant mastic - (HILTI CFS-S ACR...) fill the gap from both sides of the fire separation construction and around the perimeter of penetration and damper casing

* HILTI system can be replaced by a similar system with the same or higher thickness, density, fire reaction class, tested according to EN 1366-3.

In gypsum wall construction - Ablative Coated Batt - wooden construction (wooden beams)

EI 90 (v_e i↔o) S

■ For connection of following duct → see page 83



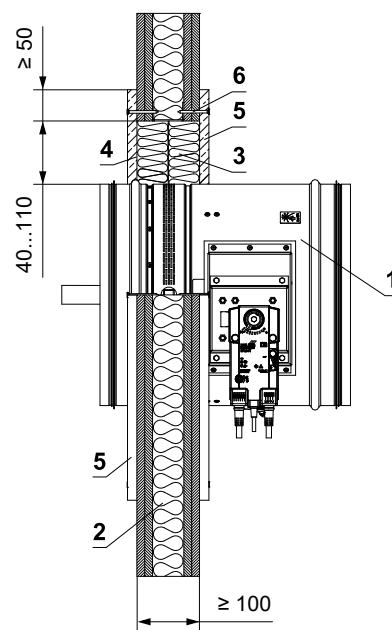
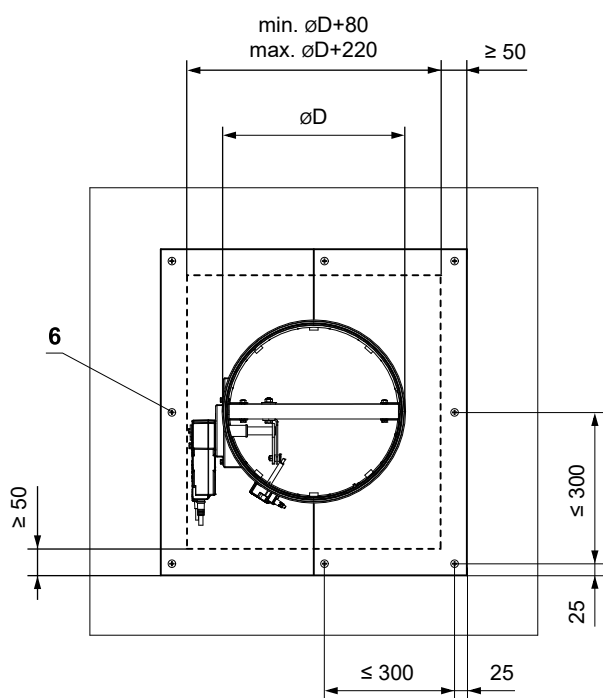
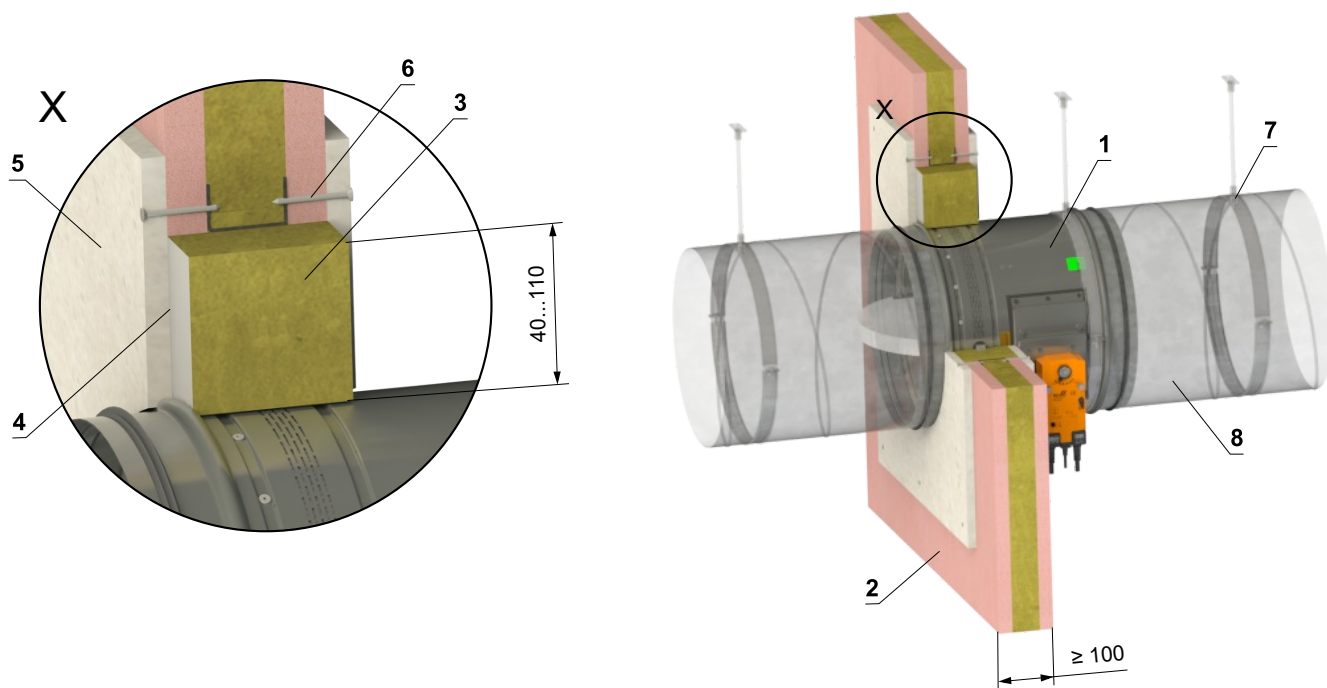
* HILTI system can be replaced by a similar system with the same or higher thickness, density, fire reaction class, tested according to EN 1366-3.

- 1 FDMR
- 2 Gypsum wall construction with wooden supporting construction (wooden beams) min. 60x60 mm
- 3 Duct
- 4 Clamp with threaded rod → see pages 80 to 82
- 5 Ablative Coated Batt System HILTI*
- 6 Mineral wool board - min. density 140 kg/m³ (HILTI CFS-CT B 1S 140/50...)
- 7 Fire stop coating - th. 1 mm (HILTI CFS-CT...) - coating is overcoated on the support construction and on the damper casing/duct
- 7 Fire-resistant mastic - (HILTI CFS-S ACR...) fill the gap from both sides of the fire separation construction and around the perimeter of penetration and damper casing

In gypsum wall construction - mineral wool with fire-resistant coating and fire-resistant boards

EI 90 (v_e i↔o) S

■ For connection of following duct → see page 83

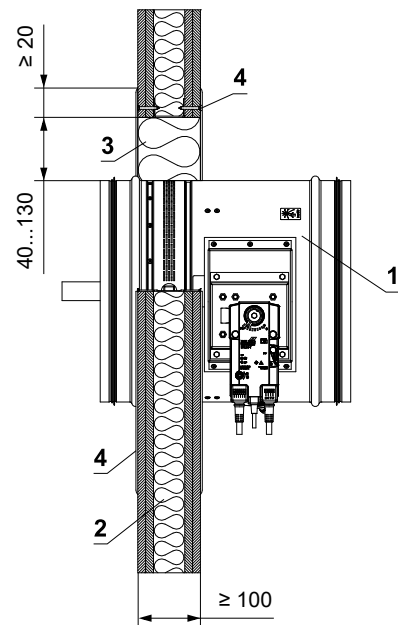
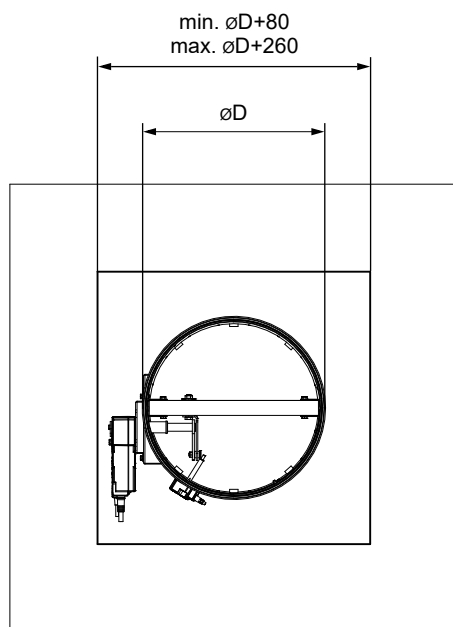
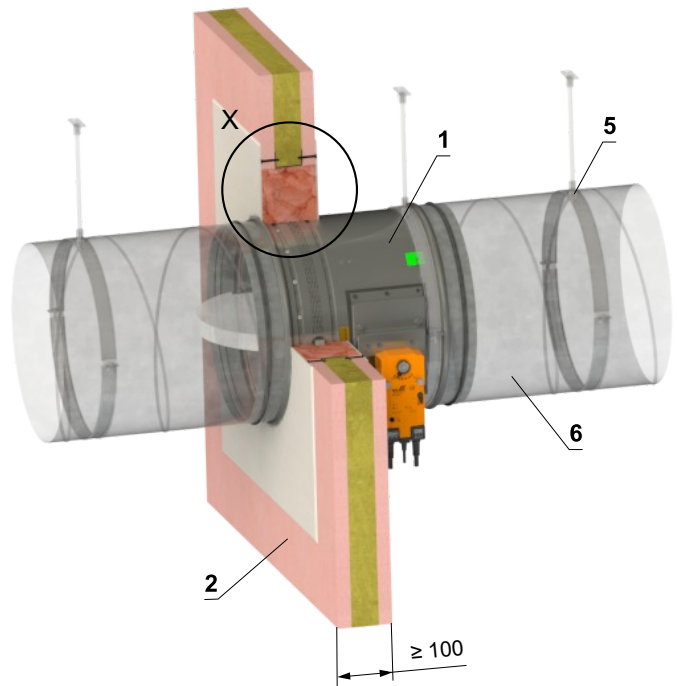
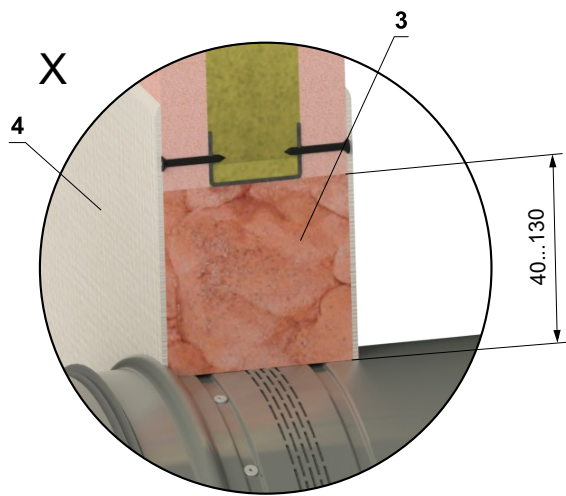


- 1 FDMR
- 2 Gypsum wall construction
- 3 Mineral wool board - min. density 140 kg/m³ (e.g. PROMAPYR-T150, ROCKWOOL HARDROCK / STEPROCK HD)
- 4 Fire-resistant coating - th. 1 mm (e.g. PROMASTOP-I)
- 5 Fire-resistant board - min. th. 15 mm, min. density 870 kg/m³ (e.g. PROMATECT-H)
- 6 Screw 4x50 mm - screws must be fixed in the wall construction, use steel anchors if necessary
- 7 Clamp with threaded rod → see pages 80 to 82
- 8 Duct

In gypsum wall construction - fire-resistant foam with stucco plaster

EI 60 (v_e i↔o) S

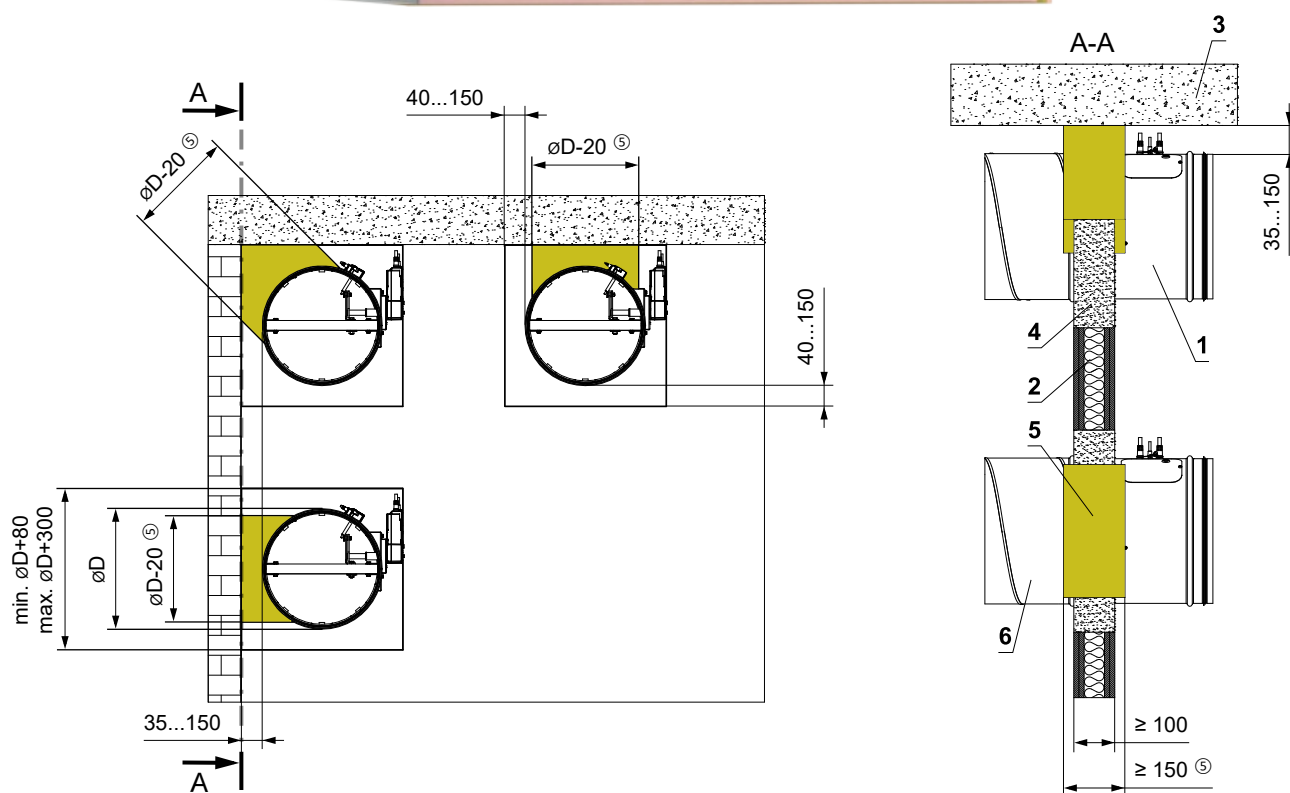
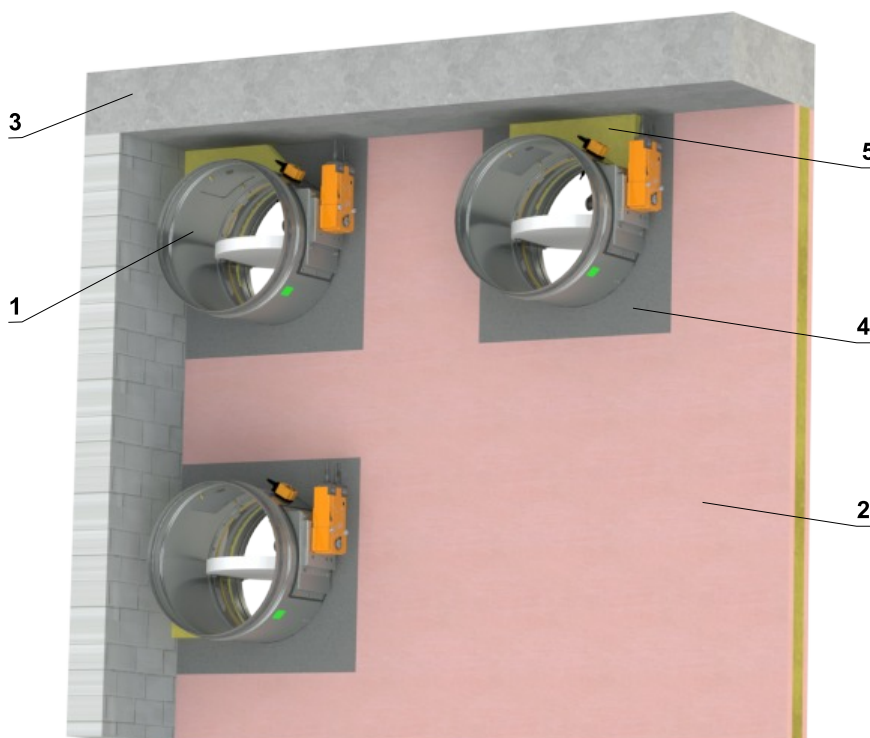
- For connection of following duct → see page 83
- Installation is limited to DN 200 mm diameter



- 1 FDMR
- 2 Gypsum wall construction
- 3 Fire-resistant foam HILTI CFS-F FX
- 4 Stucco plaster
- 5 Clamp with threaded rod → see pages 80 to 82
- 6 Duct

In gypsum wall construction - installation next to the wall/ceiling - mortar or gypsum + mineral wool EI 90 (v_e i↔o) S

- For connection of following duct → see page 83
- Conditions of this installation are also valid for the installation in Solid ceiling construction
- Penetration is filled with mortar or gypsum + mineral wool (shape, according to the location of the damper). Fix the mineral wool with glue (e.g. Promat K84 or equivalent) to the construction and damper casing

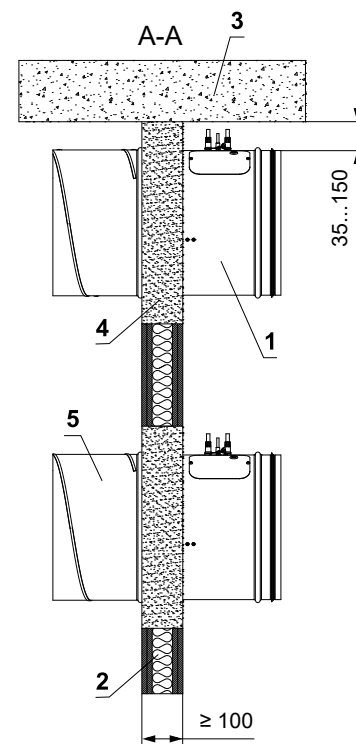
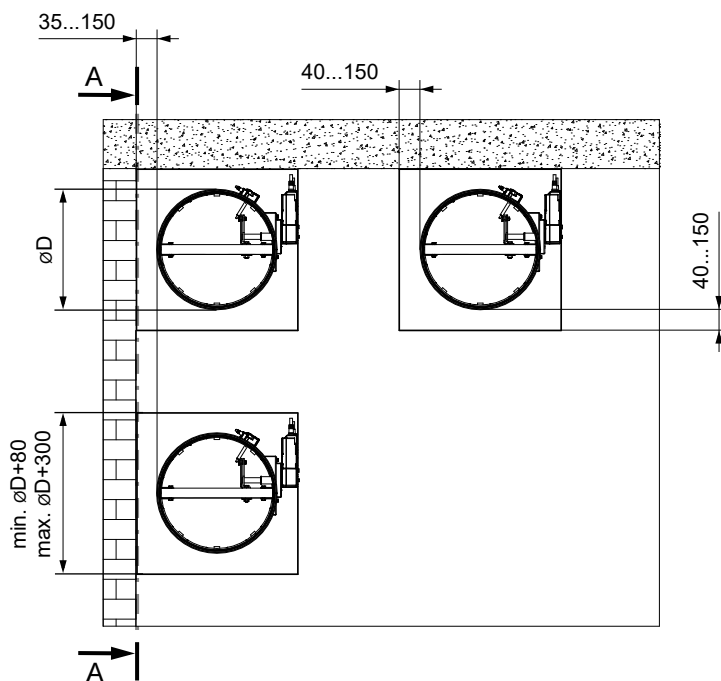
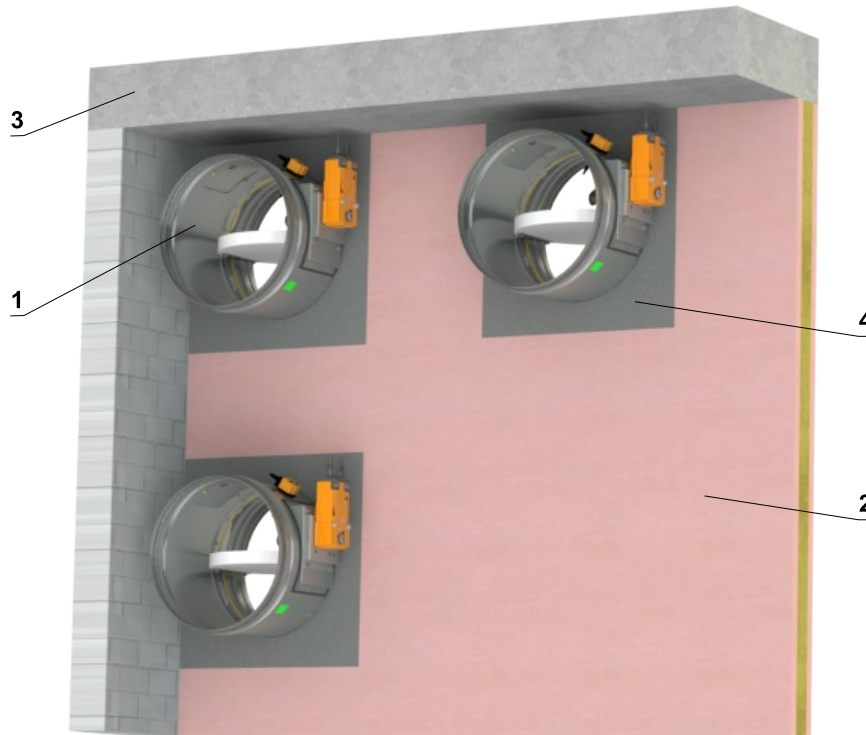


- 1 FDMR
- 2 Gypsum wall construction
- 3 Solid ceiling construction
- 4 Mortar or gypsum
- 5 Mineral wool board - min. density 140 kg/m³ (e.g. PROMAPYR-T150, ROCKWOOL HARDROCK / STEPROCK HD)
- 6 Duct

In gypsum wall construction - installation next to the wall/ceiling - mortar or gypsum

EI 90 (v_e i↔o) S

- For connection of following duct → see page 83
- Conditions of this installation are also valid for the installation in Solid ceiling construction



- 1 FDMR
- 2 Gypsum wall construction
- 3 Solid ceiling construction
- 4 Mortar or gypsum
- 5 Duct

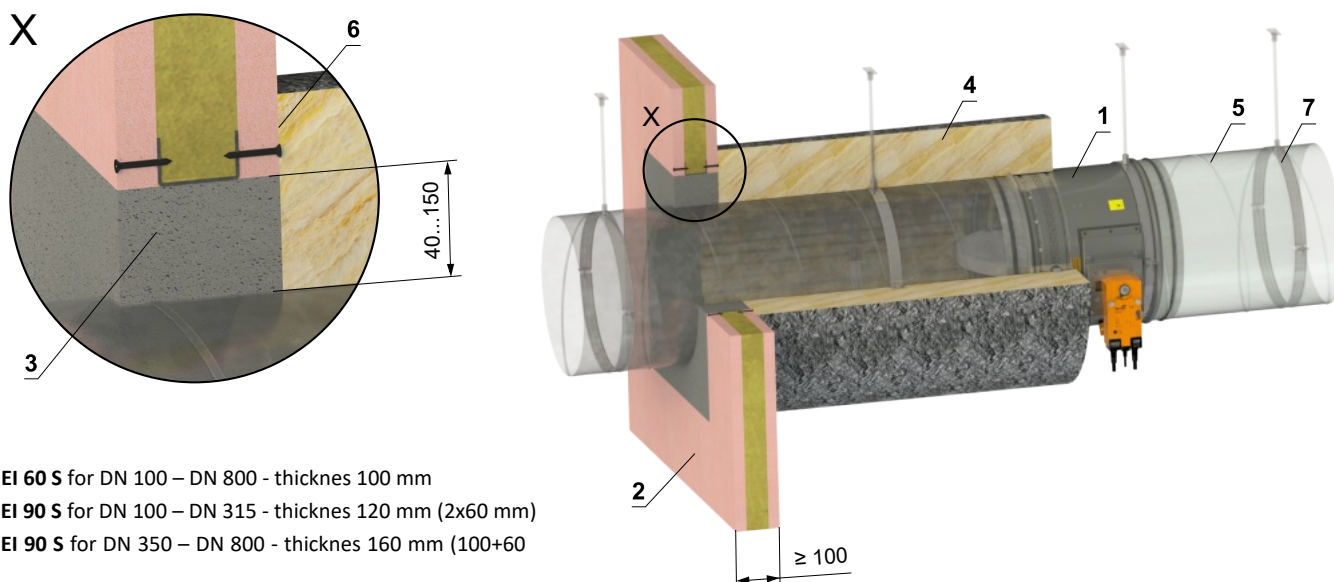
Installation outside gypsum wall construction

Outside gypsum wall construction - ISOVER Ultimate Protect - mortar or gypsum

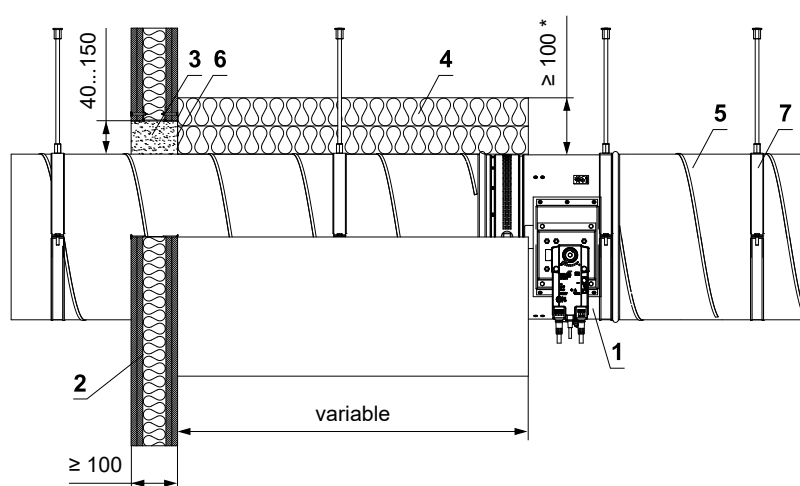
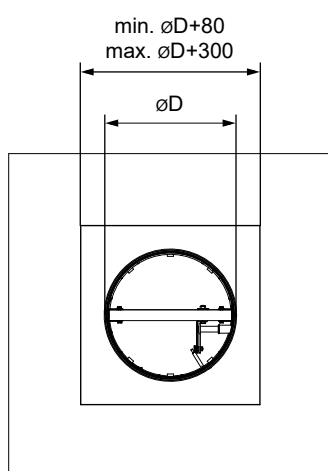
EI 60 (v_e i↔o) S

EI 90 (v_e i↔o) S

- For connection of following duct → see page 83
- Minimum and maximum distance between the wall and fire damper is unlimited
- When installing the insulation, follow the ISOVER manufacturer's instructions
- The damper and the duct must be suspended separately
- The duct must be suspended on both sides of damper acc. to national rules
- Duct between fire damper and fire separating construction must be suspended by using threaded rods and mounting profiles, or another mounting system acc. to national standards
- Load of the suspension system depends on weight of the fire damper and duct system → see page 80
- Max. distance between two suspension systems is 1500 mm
- Following air-conditioning duct must be suspended or supported so that all load transfer from the following duct to the fire damper is absolutely excluded. Adjacent duct must be suspended or supported, as required by the duct suppliers
- If the threaded rod is located inside the duct insulation, distance between threaded rod and duct is max 30 mm
- If the threaded rod is located outside the duct isolation, distance between threaded rod and isolation is max. 40 mm



- * EI 60 S for DN 100 – DN 800 - thicknes 100 mm
- EI 90 S for DN 100 – DN 315 - thicknes 120 mm (2x60 mm)
- EI 90 S for DN 350 – DN 800 - thicknes 160 mm (100+60)



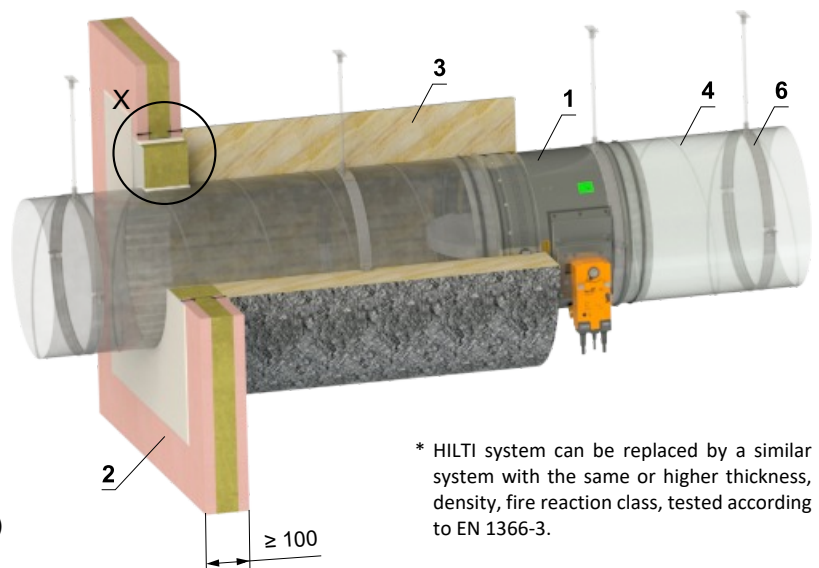
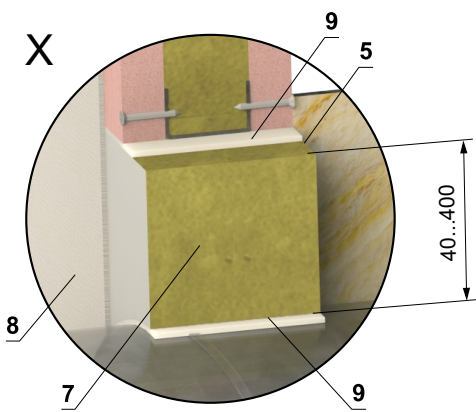
- 1 FDMR
- 2 Gypsum wall construction
- 3 Mortar or gypsum
- 4 Insulation board made of mineral wool, with a surface treatment of aluminum foil, min. density 66 kg/m³ (System ISOVER Ultimate Protect Wired Mat 4.0 Alu1)*
- 5 Standard air duct, made of galvanized sheet metal min. thickness 0,8 mm
- 6 ISOVER Protect BSK glue - apply on the insulation and fix it to the fire separation construction
- 7 Clamp with threaded rod → see pages 80 to 82

Outside gypsum wall construction - ISOVER Ultimate Protect - Ablative Coated Batt

EI 60 (v_e i↔o) S

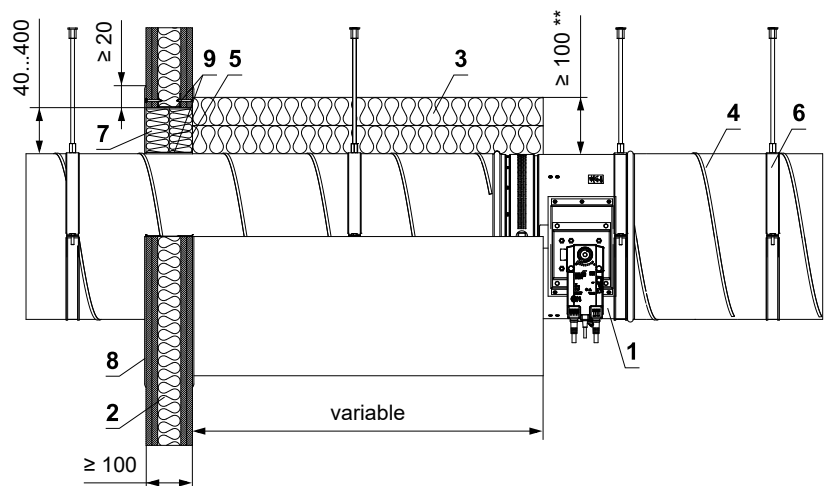
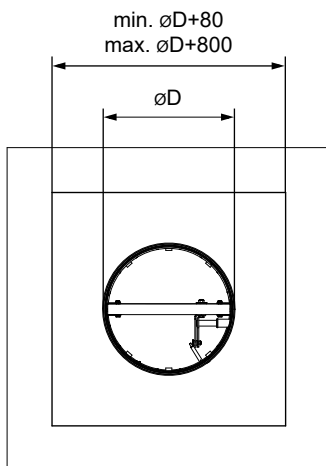
EI 90 (v_e i↔o) S

- For connection of following duct → see page 83
- Minimum and maximum distance between the wall and fire damper is unlimited
- When installing the insulation, follow the ISOVER manufacturer's instructions
- The damper and the duct must be suspended separately
- The duct must be suspended on both sides of damper acc. to national rules
- Duct between fire damper and fire separating construction must be suspended by using threaded rods and mounting profiles, or another mounting system acc. to national standards
- Load of the suspension system depends on weight of the fire damper and duct system → see page 80
- Max. distance between two suspension systems is 1500 mm
- Duct at the point of penetration must be fixed to the fire separation structure
- Following air-conditioning duct must be suspended or supported so that all load transfer from the following duct to the fire damper is absolutely excluded. Adjacent duct must be suspended or supported, as required by the duct suppliers
- If the threaded rod is located inside the duct insulation, distance between threaded rod and duct is max 30 mm
- If the threaded rod is located outside the duct isolation, distance between threaded rod and isolation is max. 40 mm



** EI 60 S for DN 100 – DN 800 - thicknes 100 mm
 EI 90 S for DN 100 – DN 315 - thicknes 120 mm (2x60 mm)
 EI 90 S for DN 350 – DN 800 - thicknes 160 mm (100+60 mm)

* HILTI system can be replaced by a similar system with the same or higher thickness, density, fire reaction class, tested according to EN 1366-3.

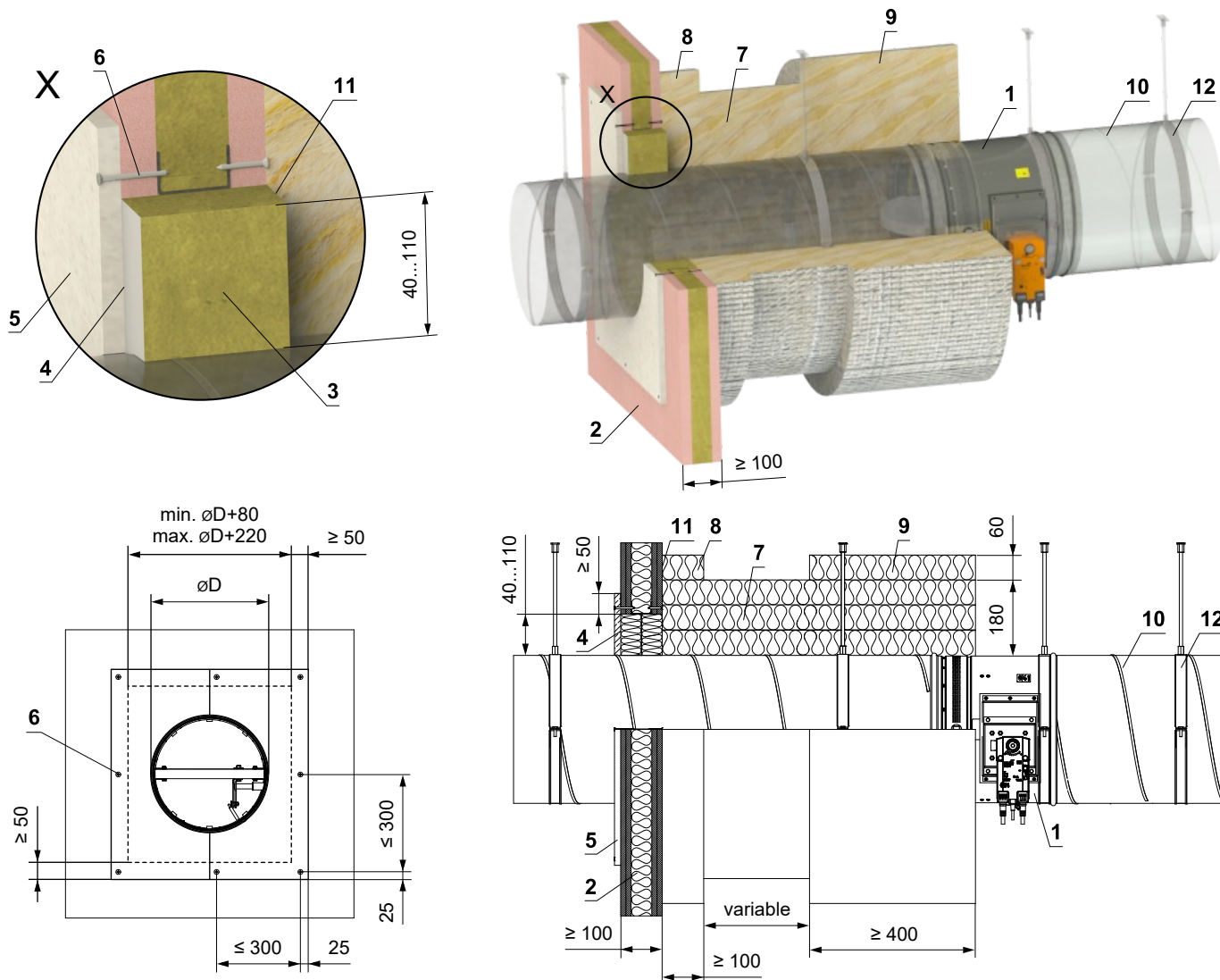


- 1 FDMR
- 2 Gypsum wall construction
- 3 Insulation board made of mineral wool, with a surface treatment of aluminum foil, min. density 66 kg/m³ (System ISOVER Ultimate Protect Wired Mat 4.0 Alu1)**
- 4 Standard air duct, made of galvanized sheet metal min. thickness 0,8 mm
- 5 ISOVER Protect BSK glue - apply on the insulation and fix it to the fire separation construction
- 6 Clamp with threaded rod → see pages 80 to 82
Ablative Coated Batt System HILTI*
- 7 Mineral wool board - min. density 140 kg/m³ (HILTI CFS-CT B 1S 140/50...)
- 8 Fire stop coating - th. 1 mm (HILTI CFS-CT...) - coating is overcoated on the support construction and on the damper casing/duct
- 9 Fire-resistant mastic - (HILTI CFS-S ACR...) fill the gap from both sides of the fire separation construction and around the perimeter of penetration and damper casing

Outside gypsum wall construction - mineral wool ROCKWOOL - mineral wool with fire-resistant coating and fire-resistant board

EI 90 (v_e i↔o) S

- For connection of following duct → see page 83
- Minimum and maximum distance between the wall and fire damper is unlimited
- When installing the insulation, follow the ROCKWOOL manufacturer's instructions
- The damper and the duct must be suspended separately
- The duct must be suspended on both sides of damper acc. to national rules
- Duct between fire damper and fire separating construction must be suspended by using threaded rods and mounting profiles, or another mounting system acc. to national standards
- Load of the suspension system depends on weight of the fire damper and duct system → see page 80
- Max. distance between two suspension systems is 1500 mm
- Duct at the point of penetration must be fixed to the fire separation structure
- Following air-conditioning duct must be suspended or supported so that all load transfer from the following duct to the fire damper is absolutely excluded. Adjacent duct must be suspended or supported, as required by the duct suppliers
- If the threaded rod is located inside the duct insulation, distance between threaded rod and duct is max 30 mm
- If the threaded rod is located outside the duct isolation, distance between threaded rod and isolation is max. 40 mm



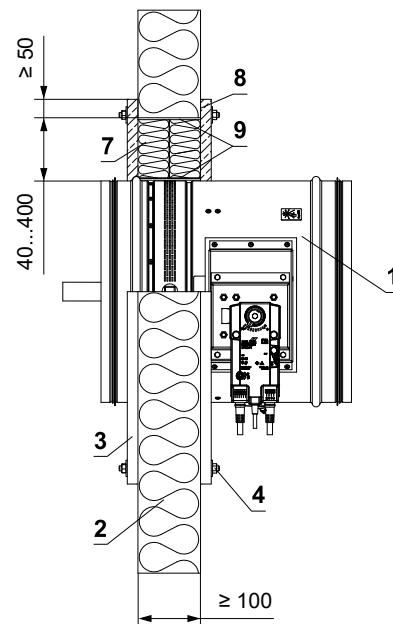
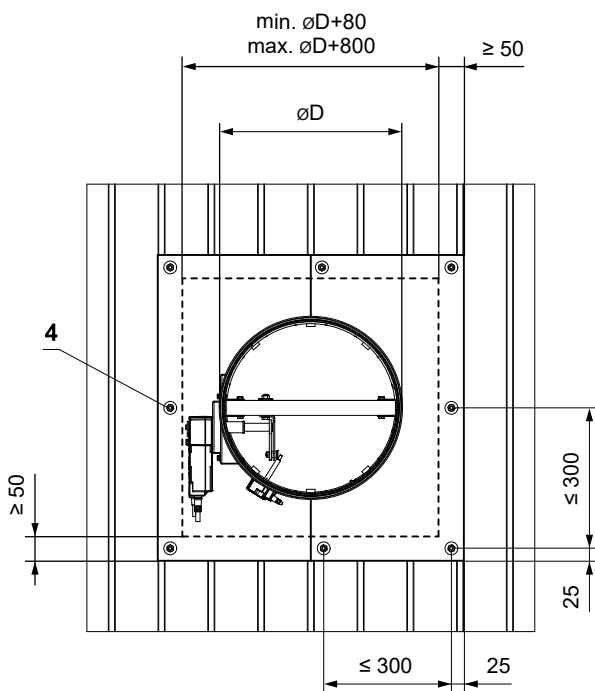
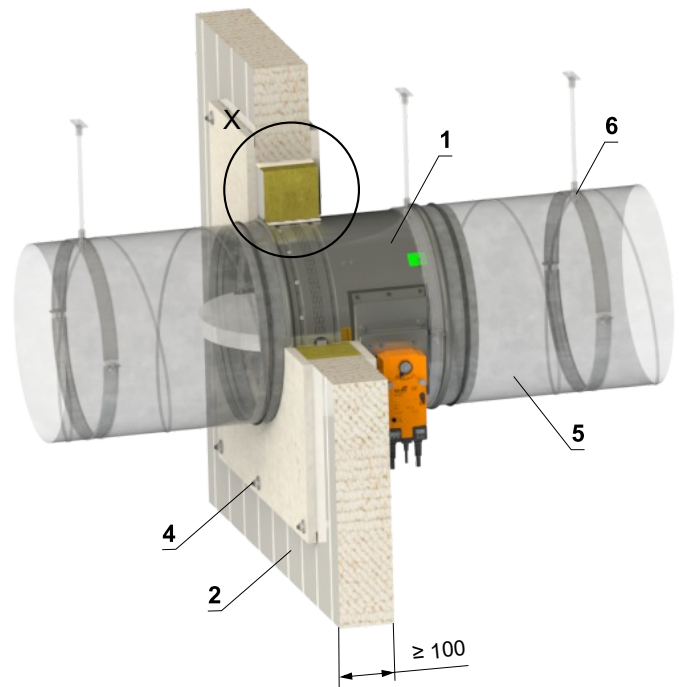
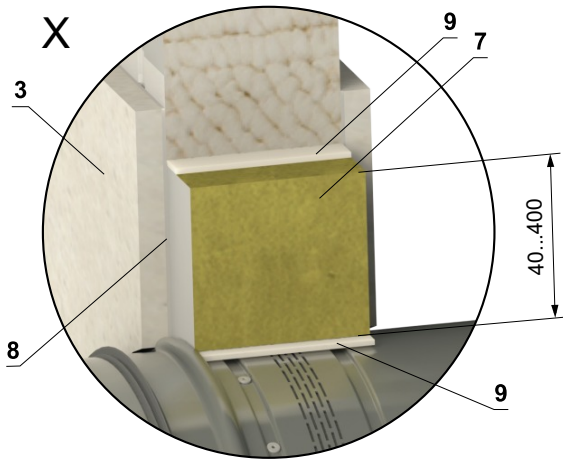
- | | |
|--|--|
| <ul style="list-style-type: none"> 1 FDMR 2 Gypsum wall construction 3 Mineral wool board - min. density 140 kg/m³ (e.g. PROMAPYR-T150, ROCKWOOL HARDROCK / STEPROCK HD) 4 Fire-resistant coating - th. 1 mm (e.g. PROMASTOP-I) 5 Fire-resistant board - min. th. 15 mm, min. density 870 kg/m³ (e.g. PROMATECT-H) 6 Screw 4x50 mm - screws must be fixed in the wall construction, use steel anchors if necessary | <ul style="list-style-type: none"> 7 Insulation board made of mineral wool, with a surface treatment of aluminum foil - thickness 180 mm (3x60 mm), min. density 105 kg/m³ - (ROCKWOOL System Wired Mat 105 Alu) 8 Duct penetration insulation collar - th. 60 mm (System ROCKWOOL Wired Mat 105 Alu) - glued (pos. 11) and fixed with screws to the wall construction 9 Insulation collar of the damper and duct connection - th. 60 mm (System ROCKWOOL Wired Mat 105 Alu) 10 Standard air duct, made of galvanized sheet metal min. thickness 0,8 mm 11 ROCKWOOL Firepro glue - apply on the insulation and fix it to the fire separation construction 12 Clamp with threaded rod → see pages 80 to 82 |
|--|--|

Installation in sandwich wall construction

In sandwich wall construction - Ablative Coated Batt with fire-resistant boards

EI 90 (v_e i↔o) S

■ For connection of following duct → see page 83



- 1 FDMR
 - 2 Sandwich wall construction - min. th. 100 mm (Paroc AST S or RUUKKI SPB W)
 - 3 Fire-resistant board - min. th. 15 mm, min. density 870 kg/m³ (e.g. PROMATECT-H)
 - 4 Fixing connection of boards - threaded rod M8 (length of the threaded rod for 100 mm sandwich construction is approx. 150 mm, 2 pcs large washer M8, 2 pcs nut M8). The boards must be tightly fixed to the sandwich wall construction!
 - 5 Duct
 - 6 Clamp with threaded rod → see pages 80 to 82
- Ablative Coated Batt System HILTI*
- 7 Mineral wool board - min. density 140 kg/m³ (HILTI CFS-CT B 1S 140/50...)
 - 8 Fire stop coating - th. 1 mm (HILTI CFS-CT...) - coating is overcoated on the support construction and on the damper casing/duct
 - 9 Fire-resistant mastic - (HILTI CFS-S ACR...) fill the gap from both sides of the fire separation construction and around the perimeter of penetration and damper casing

* HILTI system can be replaced by a similar system with the same or higher thickness, density, fire reaction class, tested according to EN 1366-3.

Shaft walls

Rigips

- Shaft wall is a vertical, non-bearing partition construction meeting the double-sided fire requirements. The shaft wall can be mounted only from one side. No mineral insulation is used in the construction.
- First of all, the shaft wall construction must be laid out. Apart from other vertical constructions, the perimeter sections must be fitted with connection sealing made from A1 or A2 fire reaction materials (for instance floor strips Orsil N/PP). The perimeter sections must be anchored using steel plugs \varnothing 6 mm (for example DN6 or ZHOP) with 500 mm span.
- Sheathing is carried out using two layers of Glasroc F boards Ridurit with 20 mm thickness, the boards are oriented horizontally. First sheathing layer is fixed with TN 212 screws in spacing 200mm to the support construction. The boards are mounted to tight butt joints without need of cementing. The second sheathing layer is screwed to the first sheathing layer using screws Rodurit in square net 250 mm. Reset of joints of the first and second layer of Ridurit sheathing is set to 600 mm vertically and 300 mm horizontally.

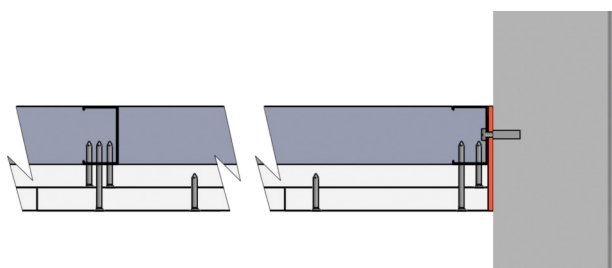
Assembly with support structure

- Vertical intermediate R-CW sections are fixed in 1000 mm layout spacing between R-UW sections and vertical perimeter R-CW sections.

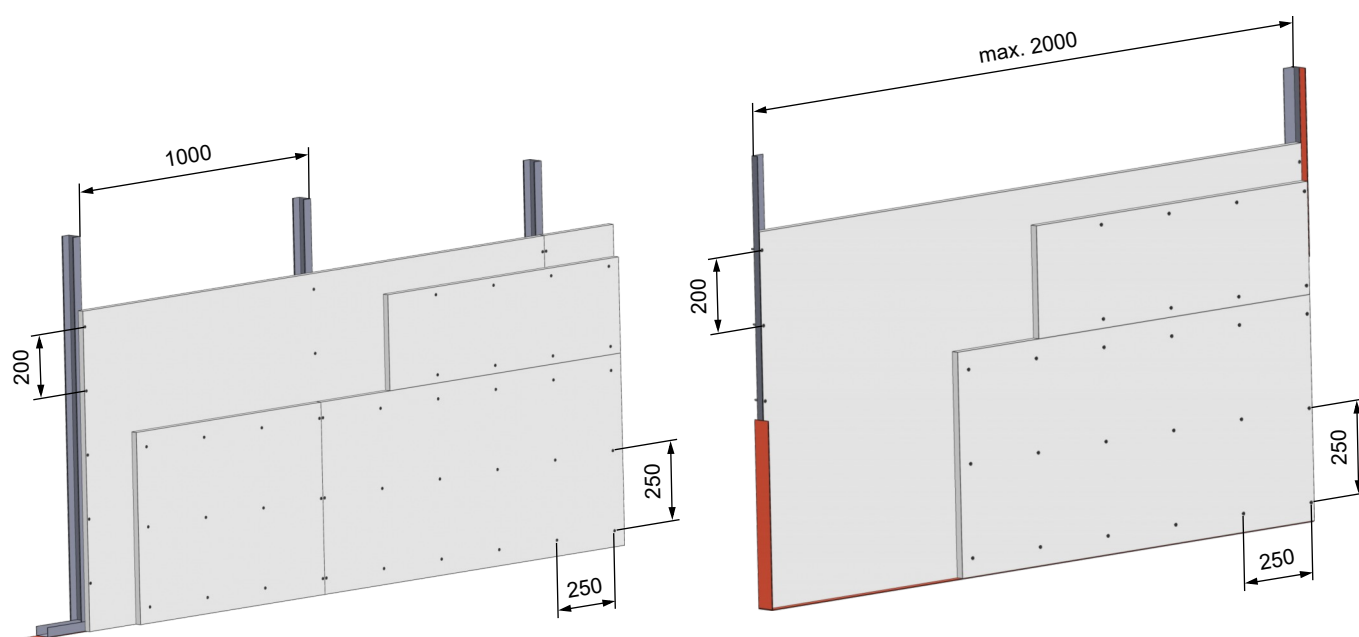
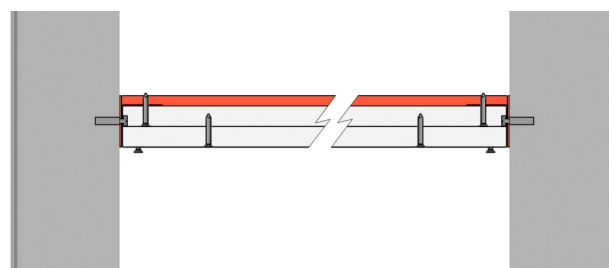
Assembly without support structure

- Maximum width of the shaft wall is 2 metres in this case (board length). Steel squares made from steel galvanized sheet metal 40/20/1 mm are used as perimeter sections, they are anchored to bearing wall using \varnothing 6 mm steel plugs (for example DN6 or ZHOP) with 500 mm spacing.

Assembly with support structure



Assembly without support structure

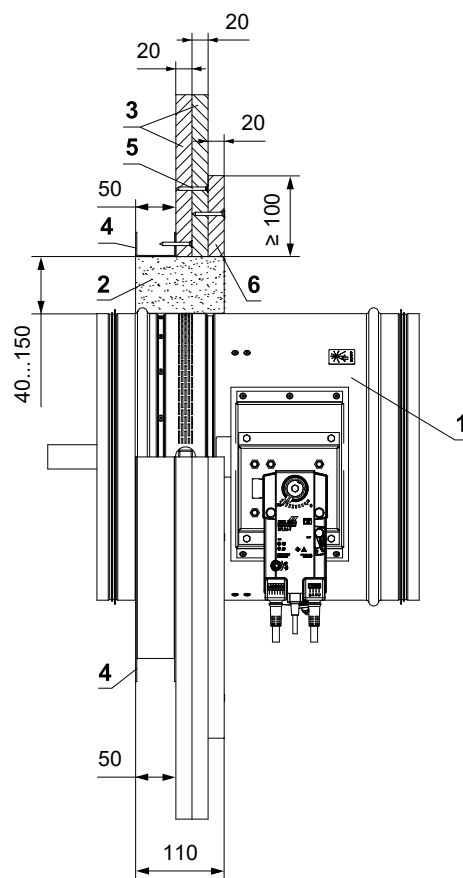
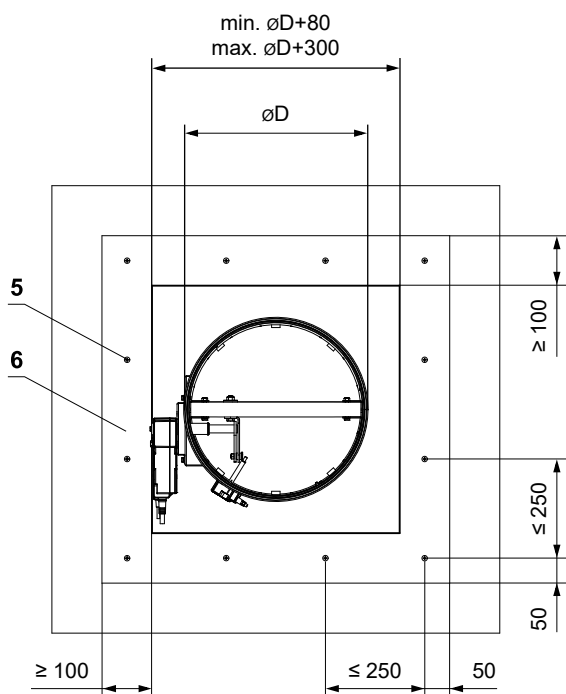
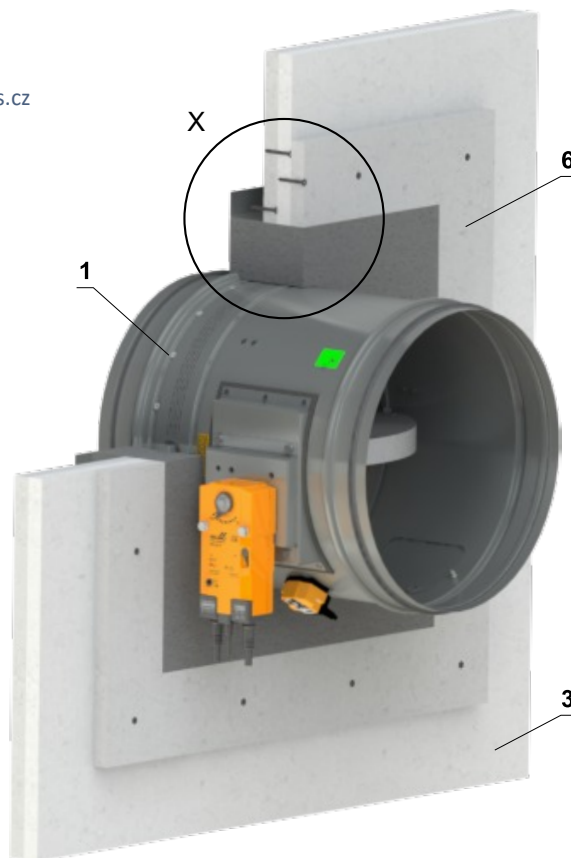
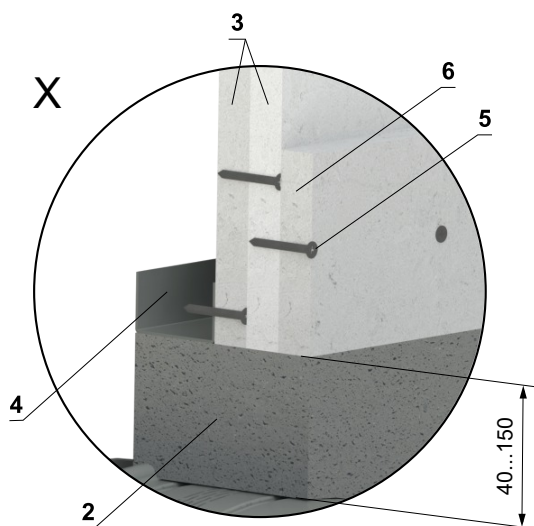


- Rigips solution is shown here as an example. Alternatively it is possible to apply the solution from Knauf or Promat. In such a case follow the instructions of the producer.

In shaft wall Rigips - mortar or gypsum

EI 90 (v_e i↔o) S

- For connection of following duct → see page 83
- Follow shaft wall manufacturer's instructions
- All technical specifications and conditions can be found at www.rigips.cz

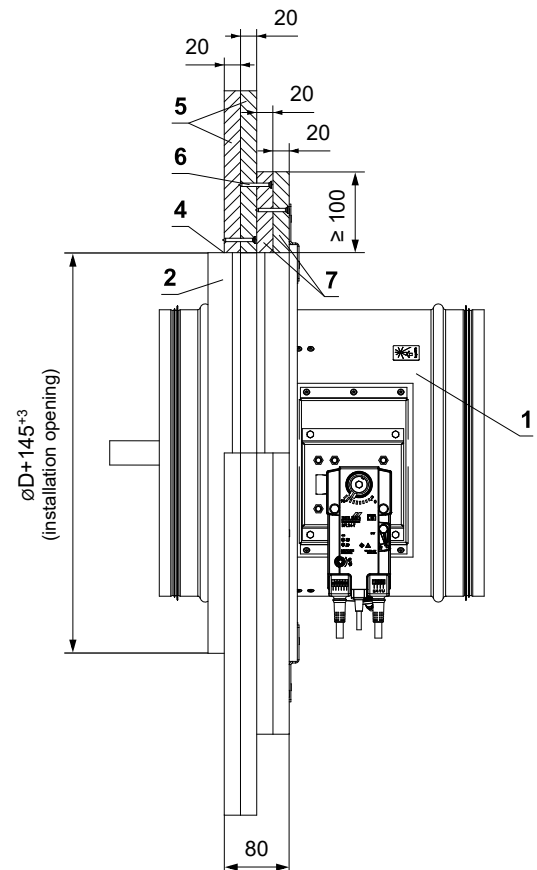
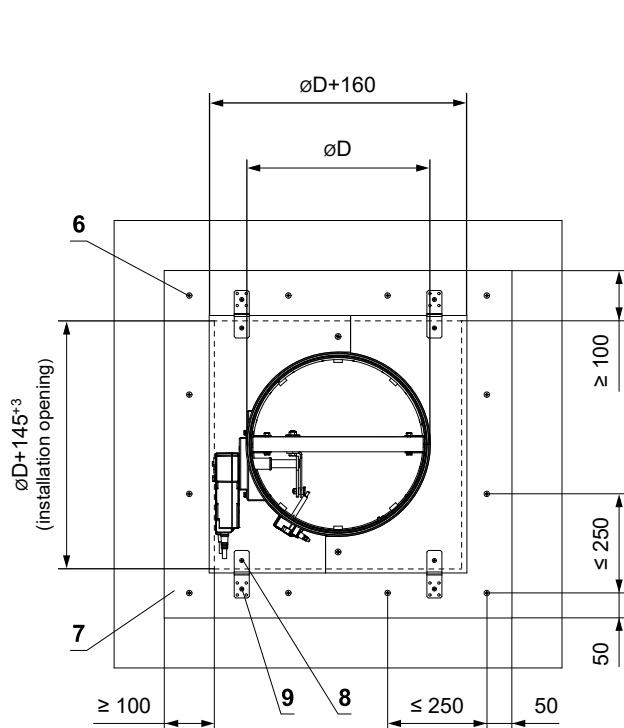
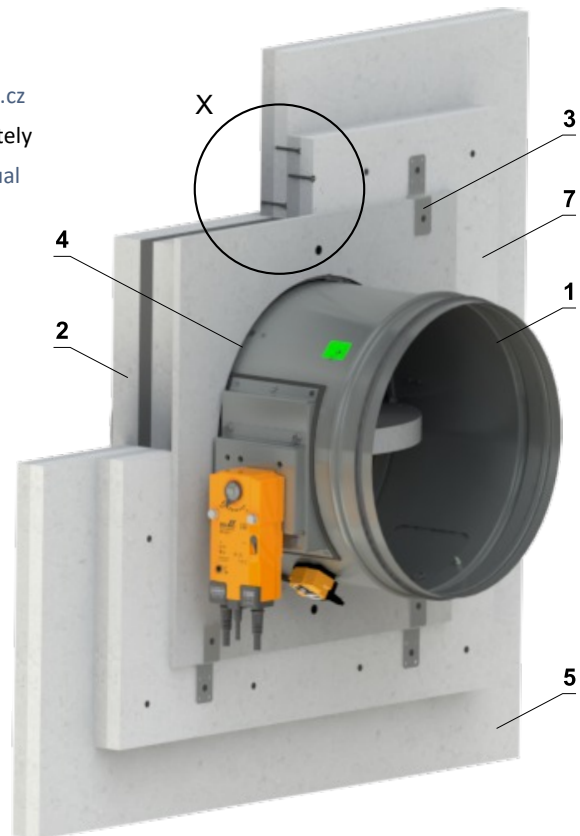
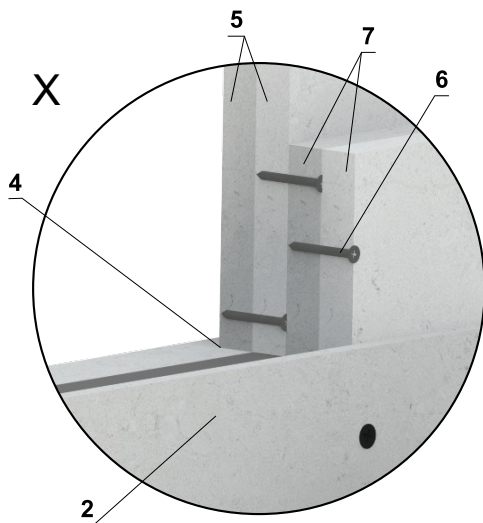


- 1 FDMR
- 2 Mortar or gypsum
- 3 Fire-resistant board th. 20 mm Rigips Glasroc F Ridurit
- 4 Steel U-profile Rigips R-UW 50 or Rigips R-CW 50
- 5 Screw Rigips Ridurit TX 3,5x35 mm
- 6 Additional fire-resistant board tl. 20 mm Rigips Glasroc F Ridurit

In shaft wall Rigips - installation frame R1

EI 90 (v_e i↔o) S

- For connection of following duct → see page 83
- Follow shaft wall manufacturer's instructions
- All technical specifications and conditions can be found at www.rigips.cz
- Installation frame can be installed on the damper or delivered separately
- Installation procedure of the installation frame for FDMR → see manual
- For more R1 frame details → see page 57



- 1 FDMR
- 2 Installation frame R1
- 3 Bracket (fastening material included in frame delivery)*
- 4 Fill the gaps with glue PROMAT K84
- 5 Fire-resistant board th. 20 mm Rigips Glasroc F Ridurit
- 6 Screw Rigips Ridurit TX 3,5x35 mm
- 7 Additional fire-resistant board th. 20 mm Rigips Glasroc F Ridurit
- 8 Screw 4x16 mm to attach bracket to the frame
- 9 Screw 5x60 mm to attach bracket to the construction

* Bracket with fasteners for 1 damper		
FDMR diameter	Number of brackets	Number of screws
$D \leq 400$	4	8
$400 < D \leq 800$	8	16

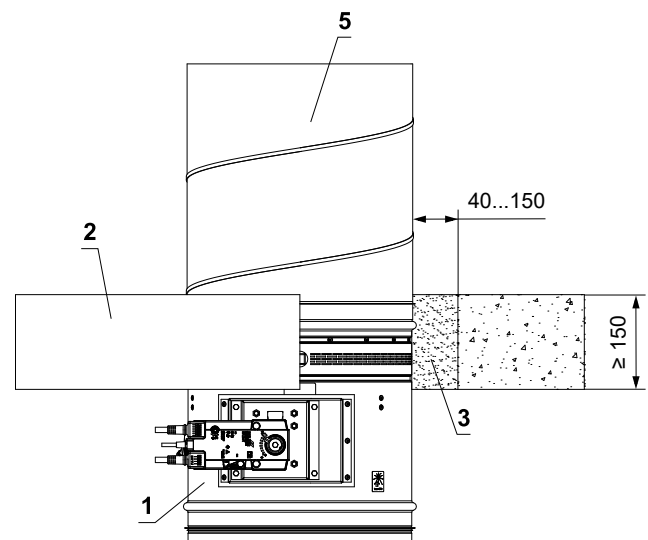
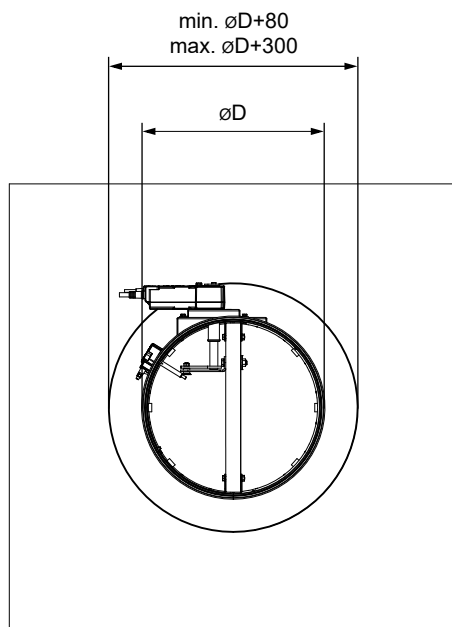
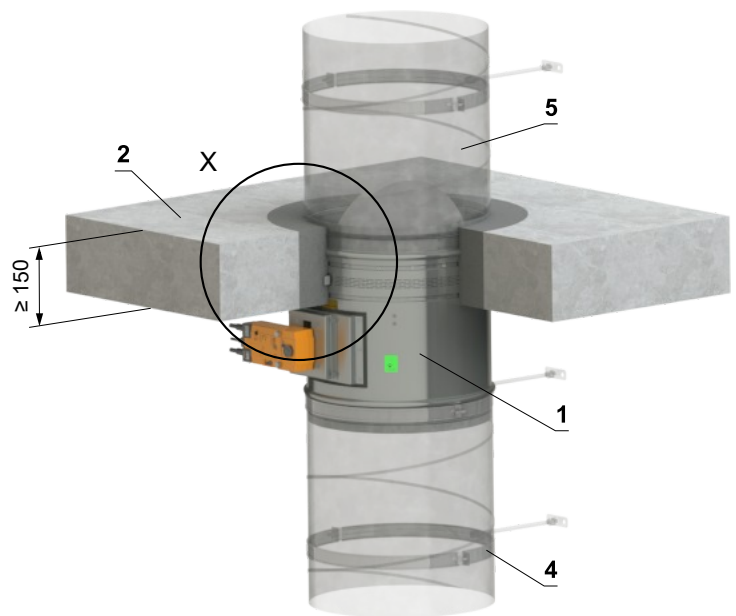
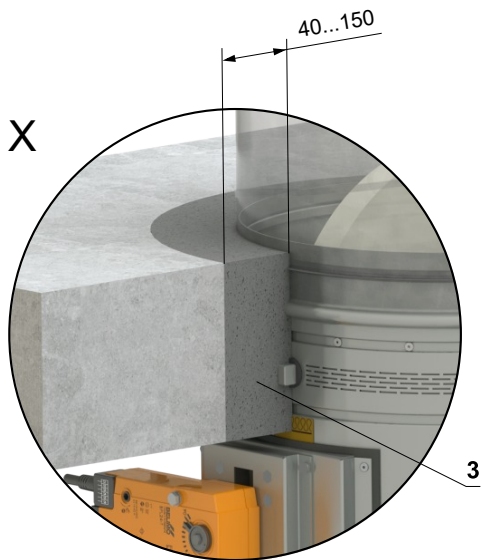
In solid ceiling construction

In solid ceiling construction - mortar or gypsum

- For connection of following duct → see page 83

EI 90 (h_o i↔o) S
EI 120 (h_o i↔o) S
EI 120 (h_o i↔o) S - 500 Pa*

* up to diameter DN 315 mm

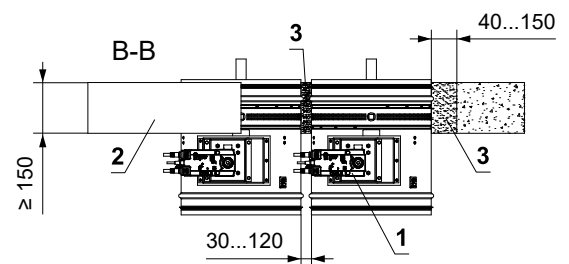
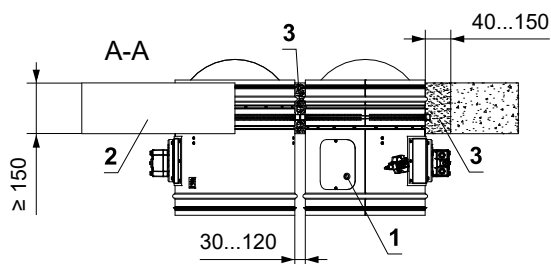
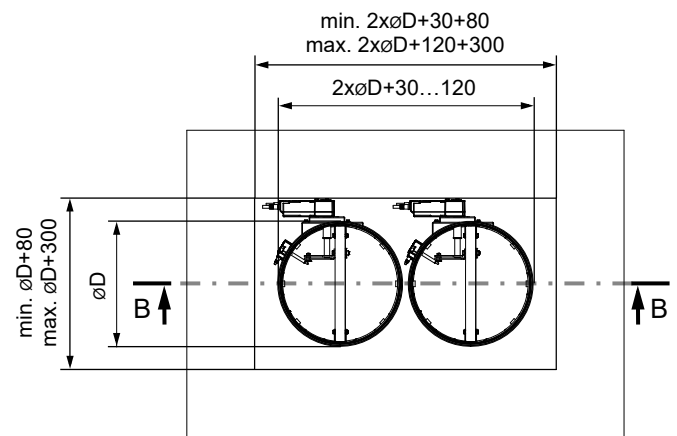
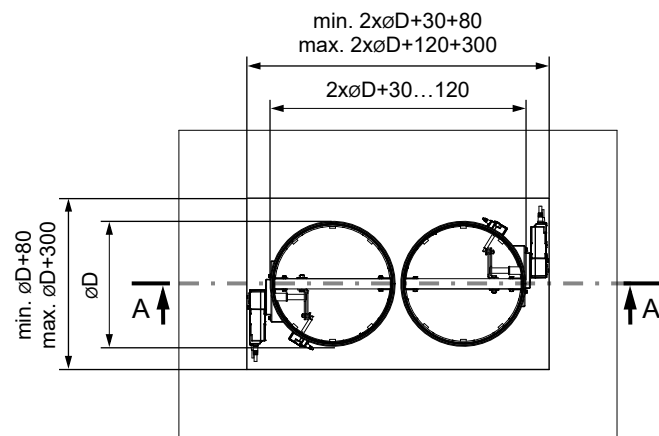
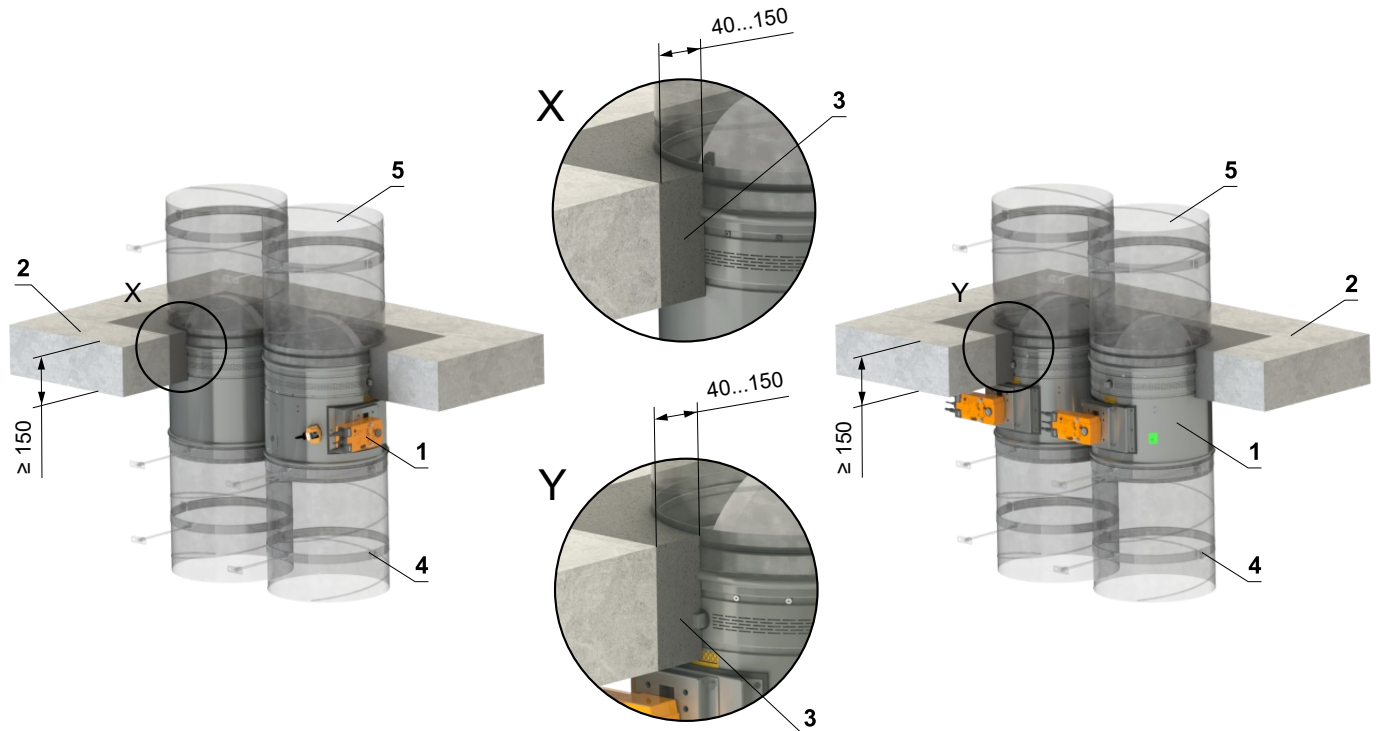


- 1 FDMR
- 2 Solid ceiling construction
- 3 Mortar or gypsum
- 4 Clamp with threaded rod → see pages 80 to 82
- 5 Duct

In solid ceiling construction - 2 dampers in one opening - mortar or gypsum

EI 90 (h_o i↔o) S

- For connection of following duct → see page 83
- The gap between the damper and construction is filled with mortar or gypsum
- It is possible to install up to 4 dampers symmetrically in one opening

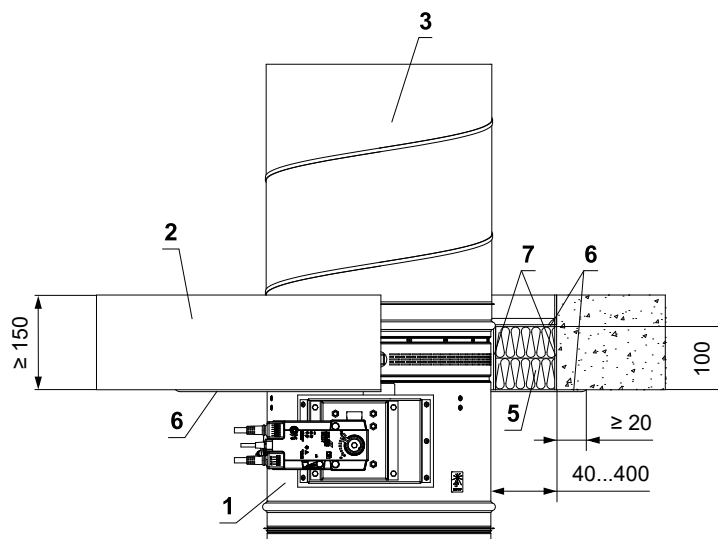
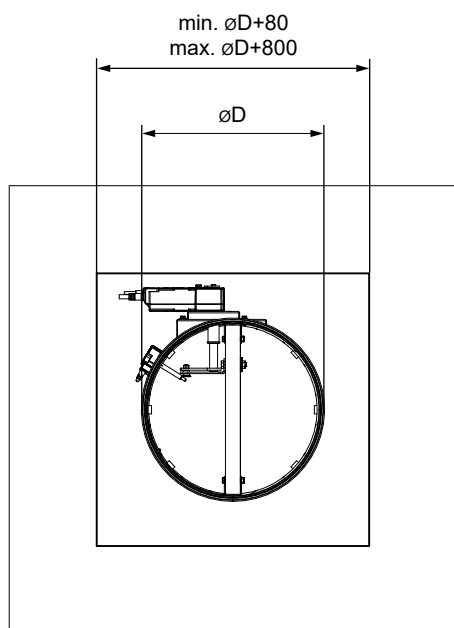
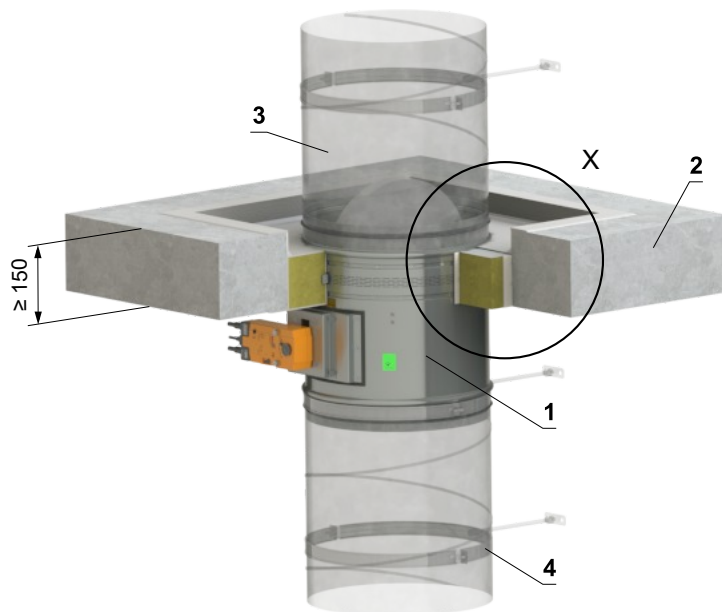
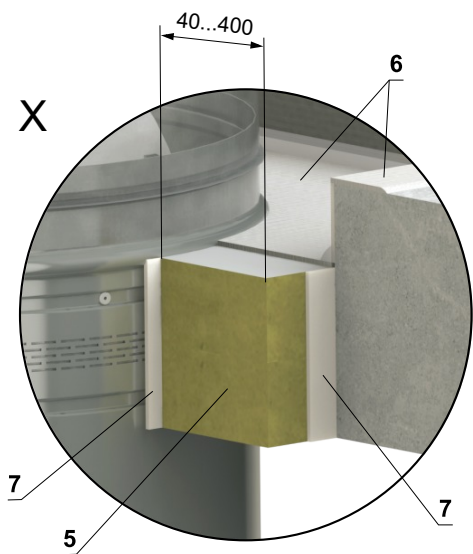


- 1 FDMR
- 2 Solid ceiling construction
- 3 Mortar or gypsum
- 4 Clamp with threaded rod → see pages 80 to 82
- 5 Duct

In solid ceiling construction - Ablative Coated Batt

EI 90 (h_o i↔o) S

■ For connection of following duct → see page 83



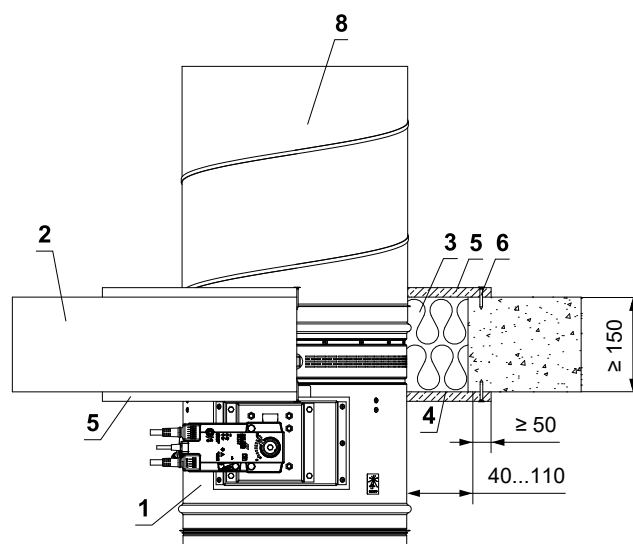
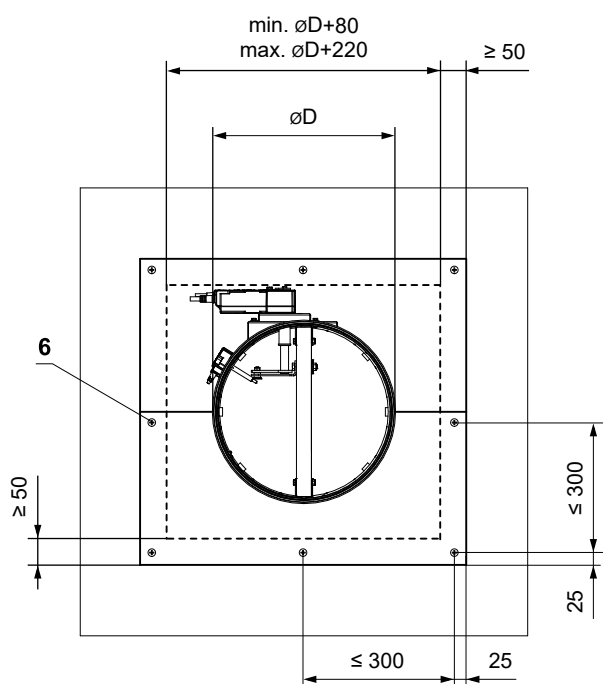
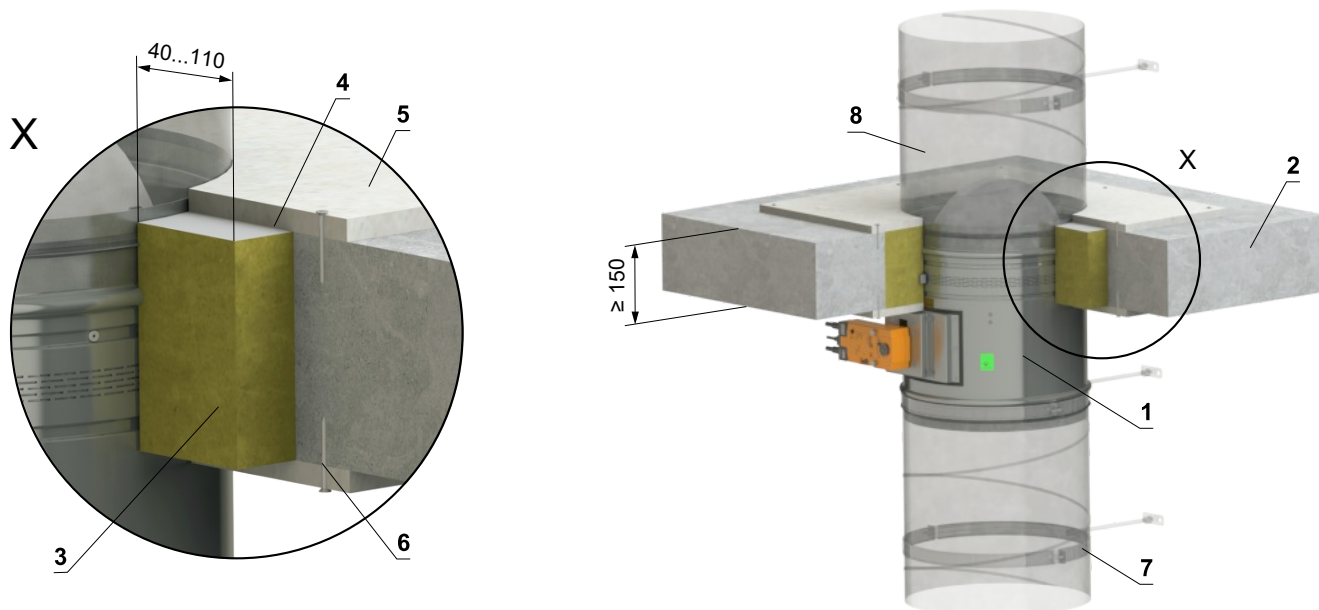
- 1 FDMR
 - 2 Solid ceiling construction
 - 3 Duct
 - 4 Clamp with threaded rod → see pages 80 to 82
- Ablative Coated Batt System HILTI*
- 5 Mineral wool board - min. density 140 kg/m³ (HILTI CFS-CT B 1S 140/50...)
 - 6 Fire stop coating - th. 1 mm (HILTI CFS-CT...) - coating is overcoated on the support construction and on the damper casing/duct
 - 7 Fire-resistant mastic - (HILTI CFS-S ACR...) fill the gap from both sides of the fire separation construction and around the perimeter of penetration and damper casing

* HILTI system can be replaced by a similar system with the same or higher thickness, density, fire reaction class, tested according to EN 1366-3.

In solid ceiling construction - mineral wool with fire-resistant coating and fire-resistant boards

EI 90 (h_o i↔o) S

■ For connection of following duct → see page 83



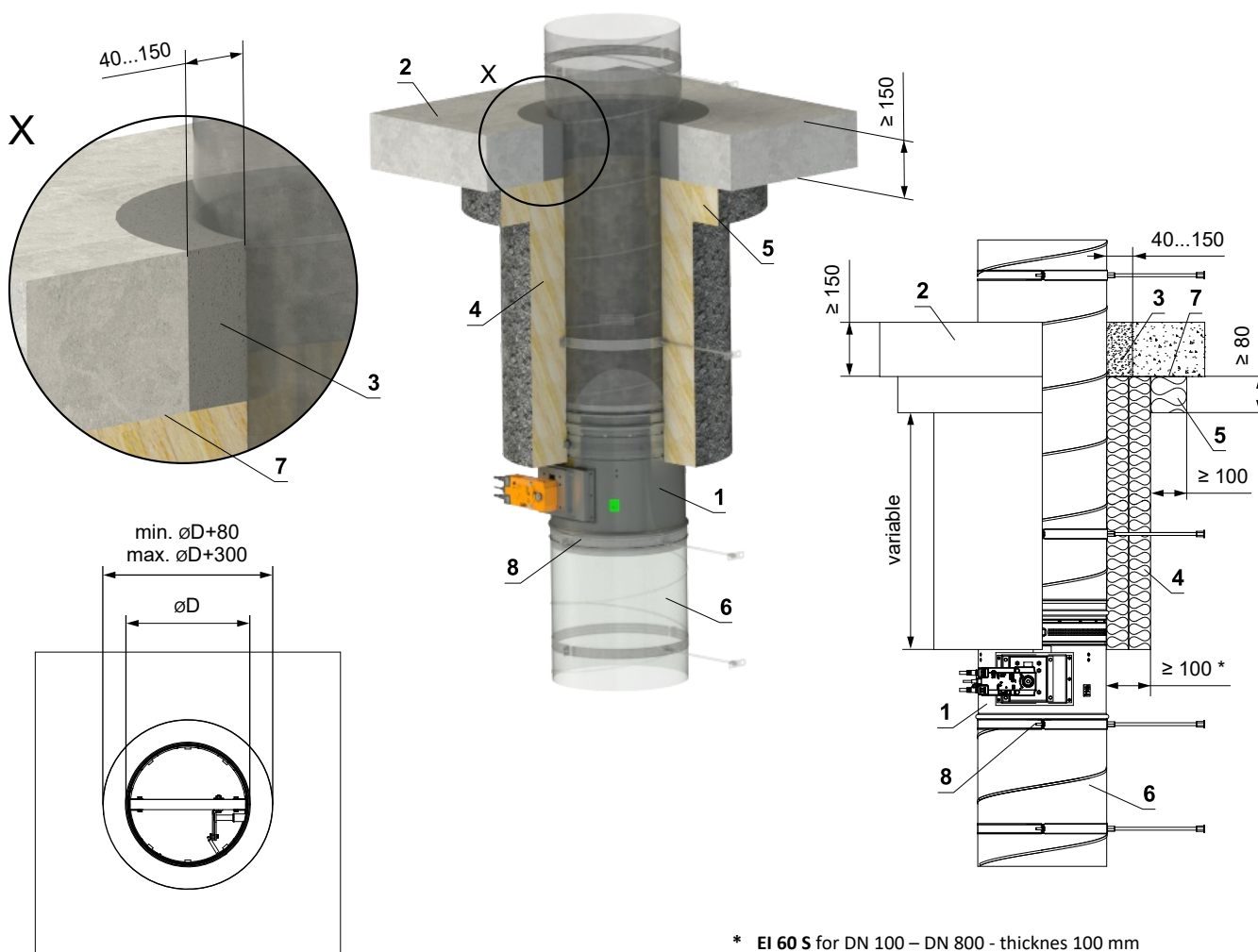
- 1 FDMR
- 2 Solid ceiling construction
- 3 Mineral wool board - min. density 140 kg/m³ (e.g. PROMAPYR-T150, ROCKWOOL HARDROCK / STEPROCK HD)
- 4 Fire-resistant coating - th. 1 mm (e.g. PROMASTOP-I)
- 5 Fire-resistant board - min. th. 15 mm, min. density 870 kg/m³ (e.g. PROMATECT-H)
- 6 Screw 4x50 mm - screws must be fixed in the wall construction, use steel anchors if necessary
- 7 Clamp with threaded rod → see pages 80 to 82
- 8 Duct

Installation outside solid ceiling construction

Outside solid ceiling construction - ISOVER Ultimate Protect - mortar or gypsum (damper under ceiling)

EI 60 (h_o i↔o) S
EI 90 (h_o i↔o) S

- For connection of following duct → see page 83
- Minimum and maximum distance between the ceiling and fire damper is unlimited
- When installing the insulation, follow the ISOVER manufacturer's instructions
- The damper and the duct must be suspended separately
- The duct must be suspended on both sides of damper acc. to national rules
- Duct between fire damper and fire separating construction must be suspended by using threaded rods and mounting profiles, or another mounting system acc. to national standards
- Load of the suspension system depends on weight of the fire damper and duct system → see page 80
- Max. distance between two suspension systems is 1500 mm
- Following air-conditioning duct must be suspended or supported so that all load transfer from the following duct to the fire damper is absolutely excluded. Adjacent duct must be suspended or supported, as required by the duct suppliers
- If the threaded rod is located inside the duct insulation, distance between threaded rod and duct is max 30 mm
- If the threaded rod is located outside the duct isolation, distance between threaded rod and isolation is max. 40 mm



- 1 FDMR
- 2 Solid ceiling construction
- 3 Mortar or gypsum
- 4 Insulation board made of mineral wool, with a surface treatment of aluminum foil, min. density 66 kg/m³ (System ISOVER Ultimate Protect Wired Mat 4.0 Alu1)*
- 5 Insulation collar - min. th. 80 mm (System ISOVER Ultimate Protect Slab 4.0 Alu1) - glued (pos. 7) and fixed with screws to the ceiling construction
- 6 Standard air duct, made of galvanized sheet metal min. thickness 0,8 mm
- 7 ISOVER Protect BSK glue - apply on the insulation and fix it to the fire separation construction
- 8 Clamp with threaded rod → see pages 80 to 82

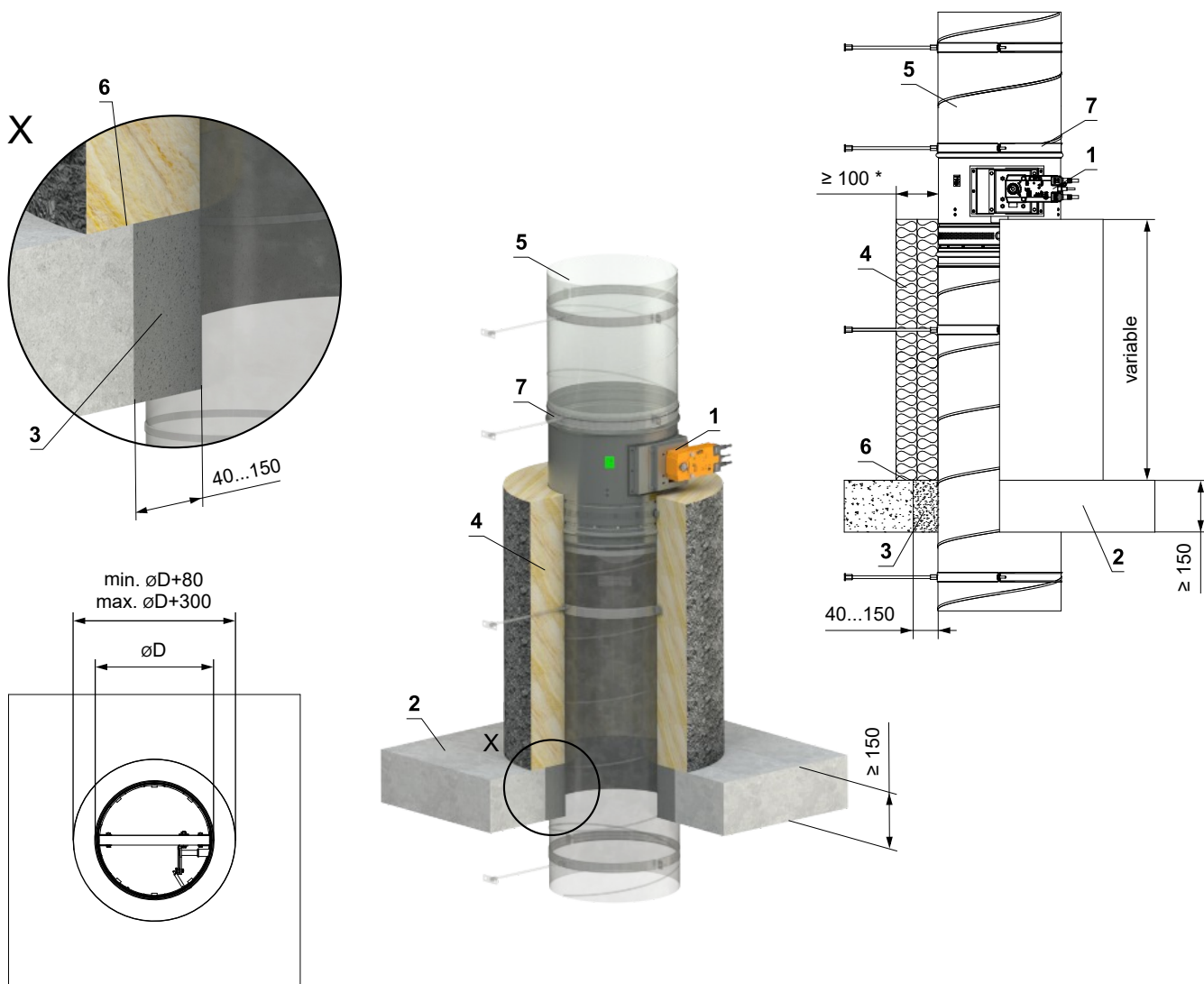
* EI 60 S for DN 100 – DN 800 - thicknes 100 mm
EI 90 S for DN 100 – DN 315 - thicknes 120 mm (2x60 mm)
EI 90 S for DN 350 – DN 800 - thicknes 160 mm (100+60 mm)

Outside solid ceiling construction - ISOVER Ultimate Protect - mortar or gypsum (damper above ceiling)

EI 60 (h_o i↔o) S

EI 90 (h_o i↔o) S

- For connection of following duct → see page 83
- Minimum and maximum distance between the ceiling and fire damper is unlimited
- When installing the insulation, follow the ISOVER manufacturer's instructions
- The damper and the duct must be suspended separately
- The duct must be suspended on both sides of damper acc. to national rules
- Duct between fire damper and fire separating construction must be suspended by using threaded rods and mounting profiles, or another mounting system acc. to national standards
- Load of the suspension system depends on weight of the fire damper and duct system → see page 80
- Max. distance between two suspension systems is 1500 mm
- Following air-conditioning duct must be suspended or supported so that all load transfer from the following duct to the fire damper is absolutely excluded. Adjacent duct must be suspended or supported, as required by the duct suppliers
- If the threaded rod is located inside the duct insulation, distance between threaded rod and duct is max 30 mm
- If the threaded rod is located outside the duct isolation, distance between threaded rod and isolation is max. 40 mm



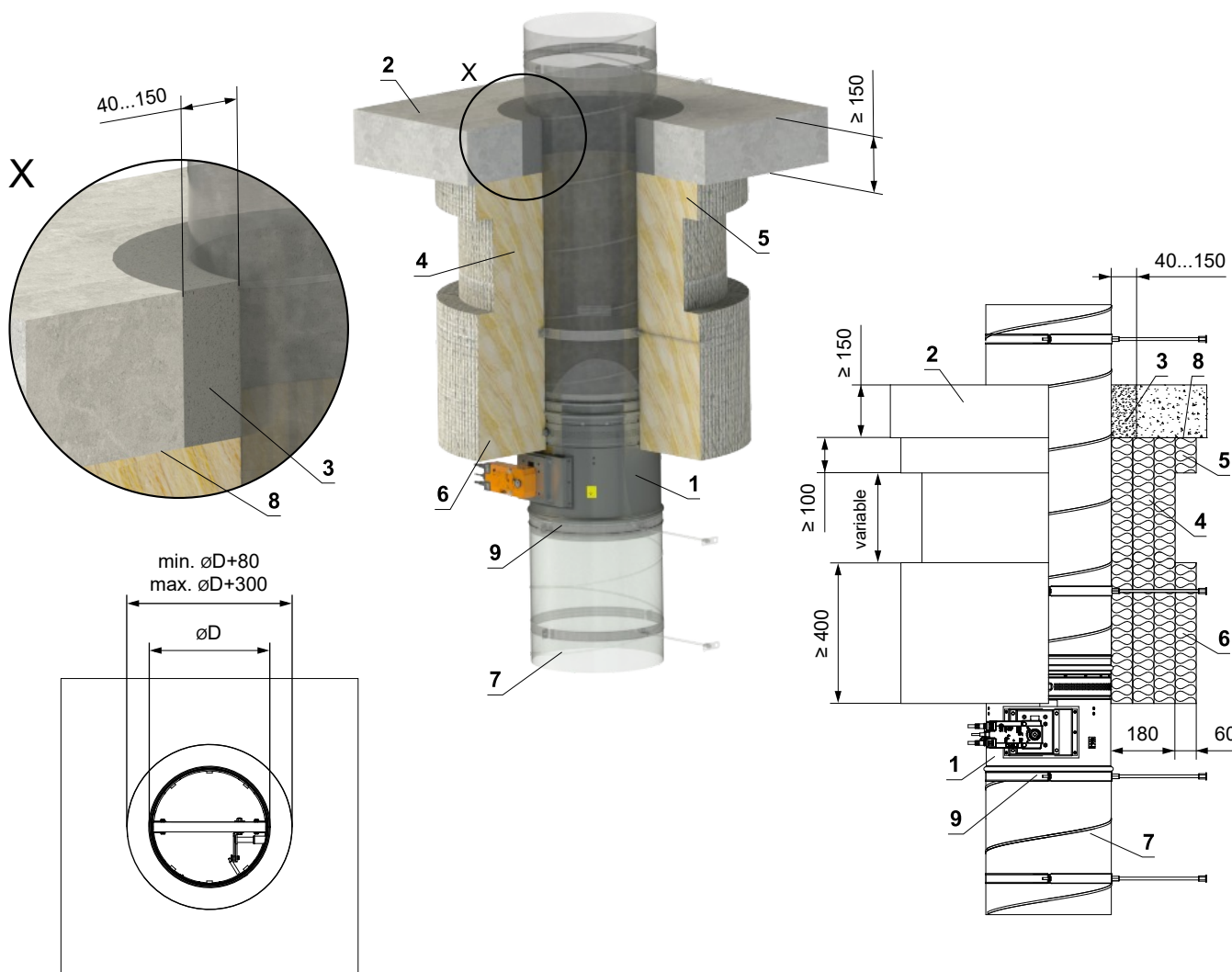
- 1 FDMR
- 2 Solid ceiling construction
- 3 Mortar or gypsum
- 4 Insulation board made of mineral wool, with a surface treatment of aluminum foil, min. density 66 kg/m³ (System ISOVER Ultimate Protect Wired Mat 4.0 Alu1)*
- 5 Standard air duct, made of galvanized sheet metal min. thickness 0,8 mm
- 6 ISOVER Protect BSK glue - apply on the insulation and fix it to the fire separation construction
- 7 Clamp with threaded rod → see pages 80 to 82

* EI 60 S for DN 100 – DN 800 - thicknes 100 mm
 EI 90 S for DN 100 – DN 315 - thicknes 120 mm (2x60 mm)
 EI 90 S for DN 350 – DN 800 - thicknes 160 mm (100+60 mm)

Outside solid ceiling construction - mineral wool ROCKWOOL - mortar or gypsum

EI 90 (h_o i↔o) S

- For connection of following duct → see page 83
- Minimum and maximum distance between the wall and fire damper is unlimited
- When installing the insulation, follow the ROCKWOOL manufacturer's instructions
- The damper and the duct must be suspended separately
- The duct must be suspended on both sides of damper acc. to national rules
- Duct between fire damper and fire separating construction must be suspended by using threaded rods and mounting profiles, or another mounting system acc. to national standards
- Load of the suspension system depends on weight of the fire damper and duct system → see page 80
- Max. distance between two suspension systems is 1500 mm
- Following air-conditioning duct must be suspended or supported so that all load transfer from the following duct to the fire damper is absolutely excluded. Adjacent duct must be suspended or supported, as required by the duct suppliers
- If the threaded rod is located inside the duct insulation, distance between threaded rod and duct is max 30 mm
- If the threaded rod is located outside the duct isolation, distance between threaded rod and isolation is max. 40 mm

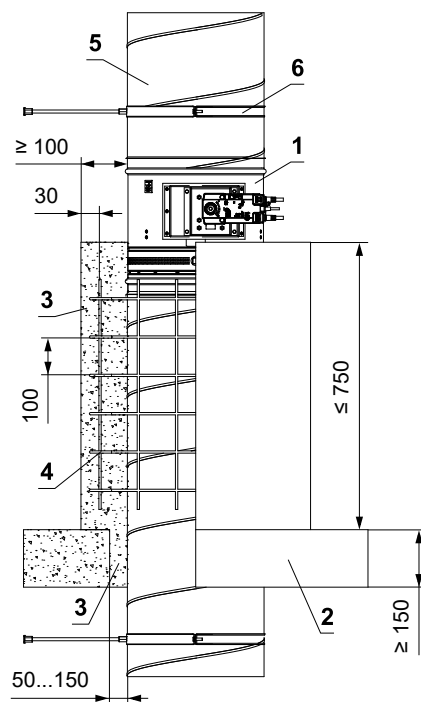
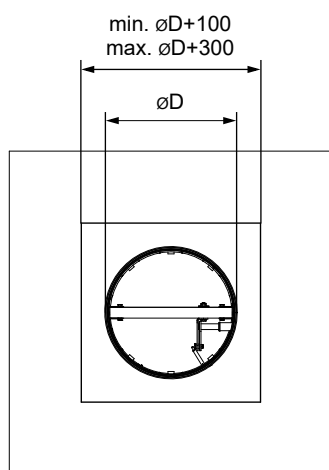
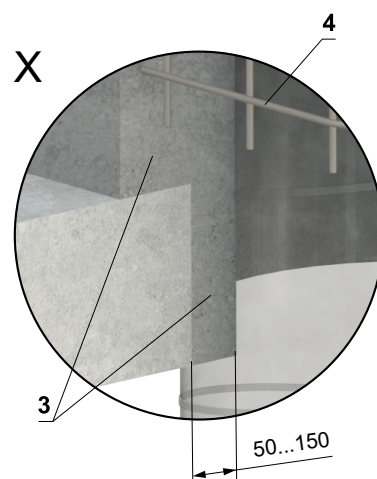
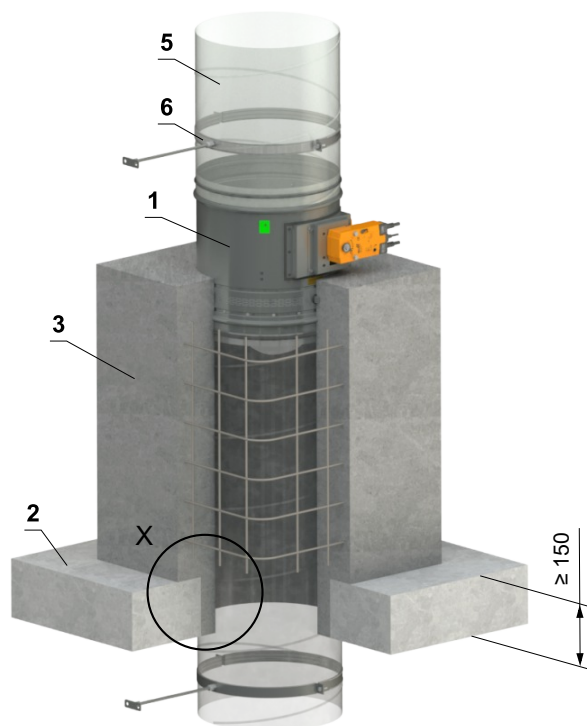


- | | |
|--|--|
| <ul style="list-style-type: none"> 1 FDMR 2 Solid ceiling construction 3 Mortar or gypsum 4 Insulation board made of mineral wool, with a surface treatment of aluminum foil - thickness 180 mm (3x60 mm), min. density 105 kg/m³ - (ROCKWOOL System Wired Mat 105 Alu) 5 Duct penetration insulation collar - th. 60 mm (System ROCKWOOL Wired Mat 105 Alu) - glued (pos. 8) and fixed with screws to the wall construction | <ul style="list-style-type: none"> 6 Insulation collar of the damper and duct connection - th. 60 mm (System ROCKWOOL Wired Mat 105 Alu) 7 Standard air duct, made of galvanized sheet metal min. thickness 0,8 mm 8 ROCKWOOL Firepro glue - apply on the insulation and fix it to the fire separation construction 9 Clamp with threaded rod → see pages 80 to 82 |
|--|--|

Outside solid ceiling construction - concreting

EI 90 (h_o i↔o) S

- For connection of following duct → see page 83
- The duct must be suspended or supported on both sides of the damper acc. to national rules
- Load of the suspension system depends on weight of the fire damper and duct system → see page 80
- Max. distance between two suspension systems is 1500 mm
- Following air-conditioning duct must be suspended or supported so that all load transfer from the following duct to the fire damper is absolutely excluded. Adjacent duct must be suspended or supported, as required by the duct suppliers



- 1 FDMR
- 2 Solid ceiling construction
- 3 Concrete B20
- 4 Rebar - steel rod \varnothing 6 mm, mesh hole 100 mm
- 5 Standard air duct, made of galvanized sheet metal min. thickness 0,8 mm
- 6 Clamp with threaded rod → see pages 80 to 82

Installation frames

List of installation frames and installation options

Installation frame	Wall thickness (mm)								
	Solid wall construction			Gypsum wall construction			Solid ceiling construction		
	In construction	Outside construction	On construction	In construction	Outside construction	On construction	In construction	Outside construction	On construction
R1	≥ 100	–	–	≥ 100	–	–	≥ 150	–	–
R2	≥ 150	–	–	≥ 150	–	–	≥ 150	–	–
R3	≥ 100	–	–	≥ 100	–	–	≥ 150	–	–
R4	≥ 150	–	–	≥ 150	–	–	≥ 150	–	–
R5*	–	–	≥ 100	–	–	–	–	≥ 150	≥ 150
R6	–	≥ 100	–	–	–	–	–	≥ 150	–
R7	–	–	–	≥ 100	–	–	–	–	–

* Only for SPIRO design

Installation frame R1



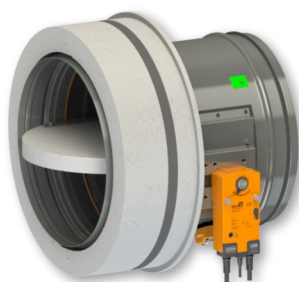
Installation frame R2



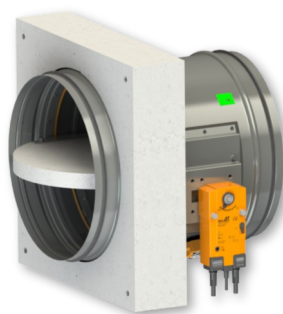
Installation frame R3



Installation frame R4



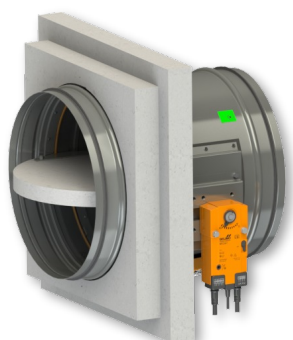
Installation frame R5 (DN 100-200)



Installation frame R5 (DN 225-800)



Installation frame R6



Installation frame R7

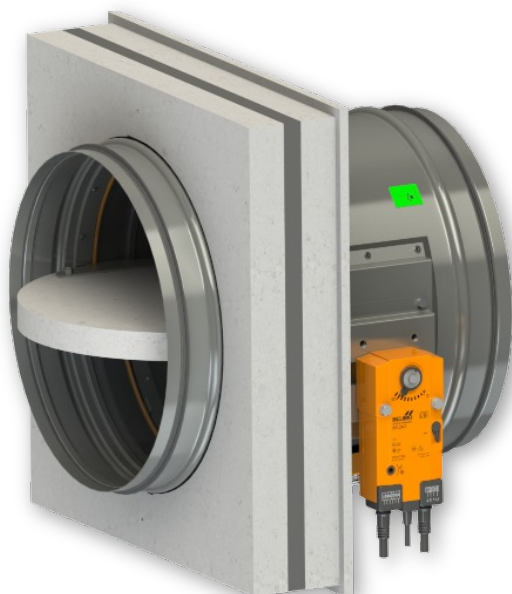


■ Installation frame can be installed on the damper or delivered separately

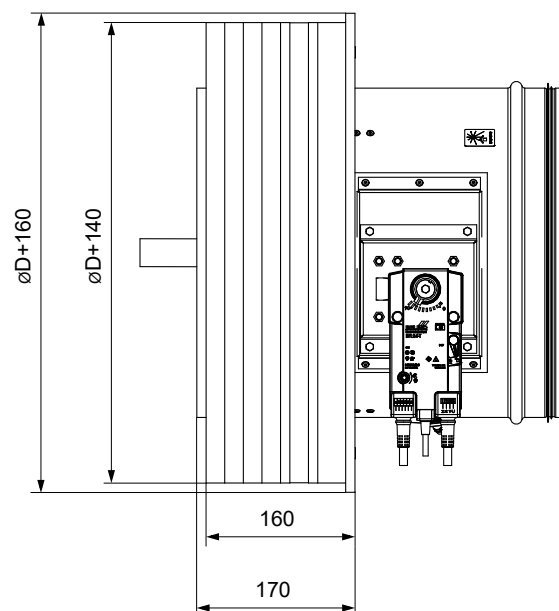
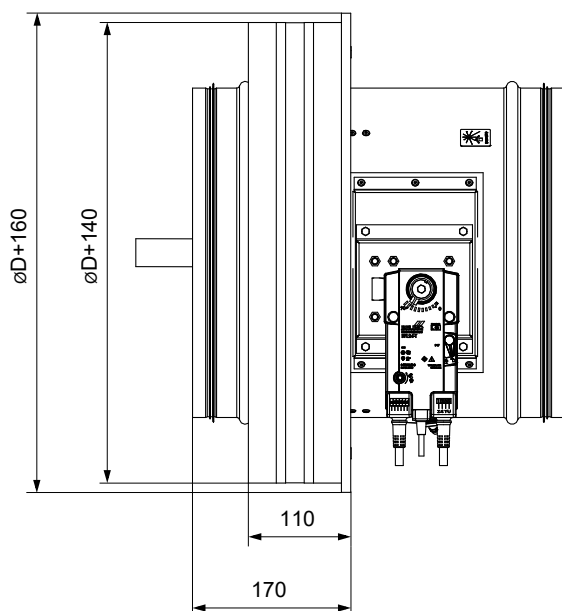
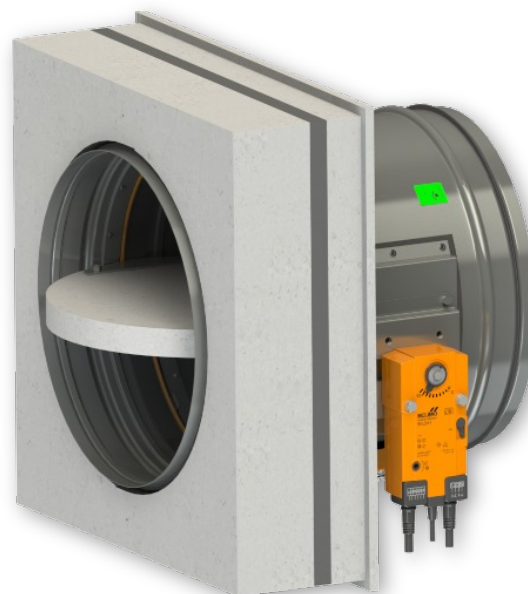
Installation frame R1, R2

- Installation frames R1, R2 are designed for installation without additional sealing of the penetration into:
 - Solid wall construction
 - Gypsum wall construction
 - Solid ceiling construction
- Installation frame is equipped with an intumescent sealing on the inside and outside. This sealing fills the gap between the damper casing and frame and between the frame and construction in the event of a fire
- **Installation frame R1 - solid wall/gypsum wall th. 100 mm or solid ceiling th. 150 mm**
- **Installation frame R2 - solid wall/gypsum wall th. 150 mm or solid ceiling th. 150 mm**
- Material:
 - Installation frame - cement-lime boards
 - Fasteners - galvanized steel

Installation frame R1



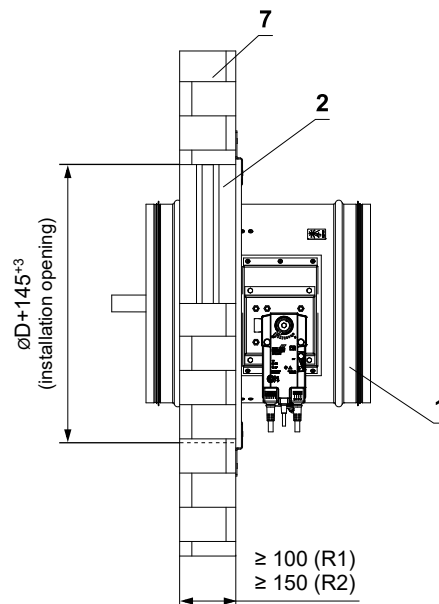
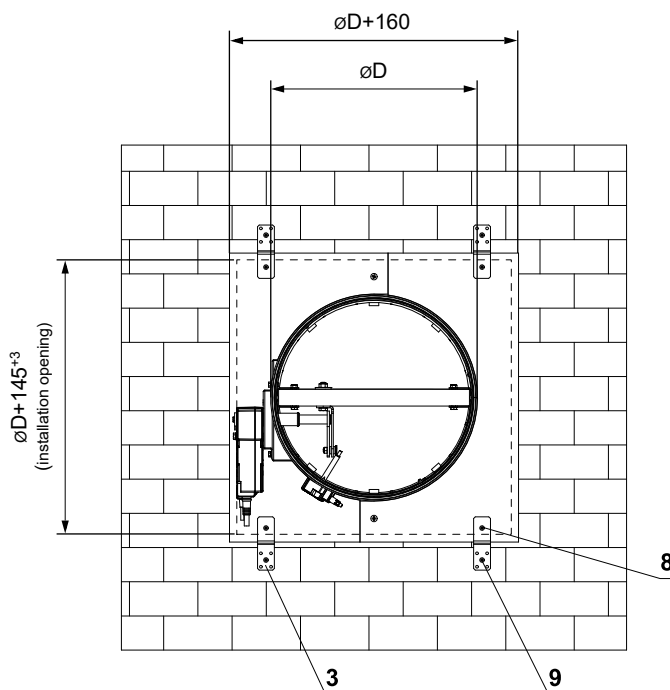
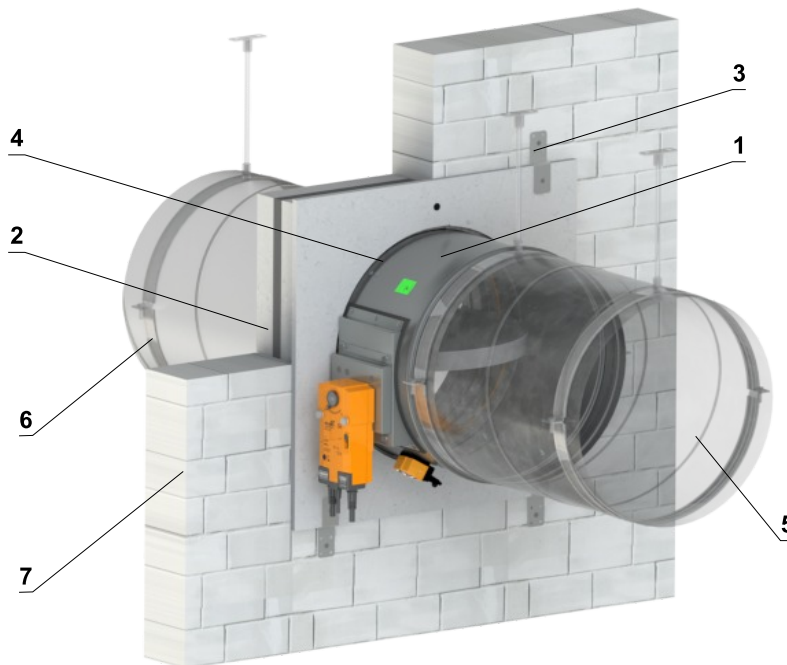
Installation frame R2



In solid wall construction - installation frame R1, R2

EI 90 (v_e i↔o) S

- For connection of following duct → see page 83
- Installation frame can be installed on the damper or delivered separately
- Installation procedure of the installation frame for FDMR → see manual
- Installation frame R1 - wall th. 100 mm
- Installation frame R2 - wall th. 150 mm



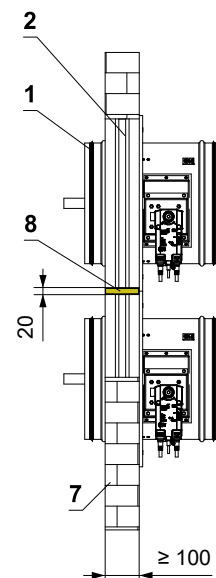
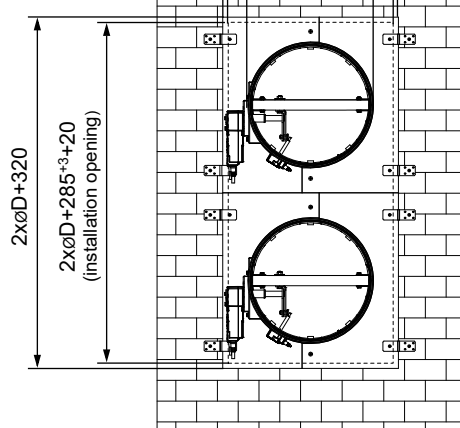
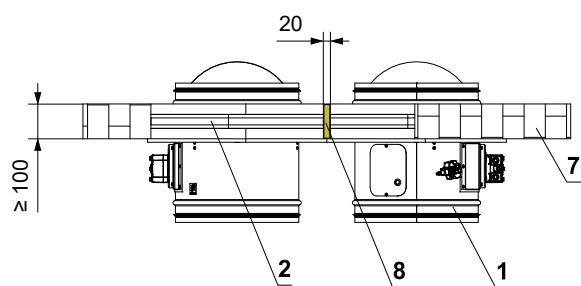
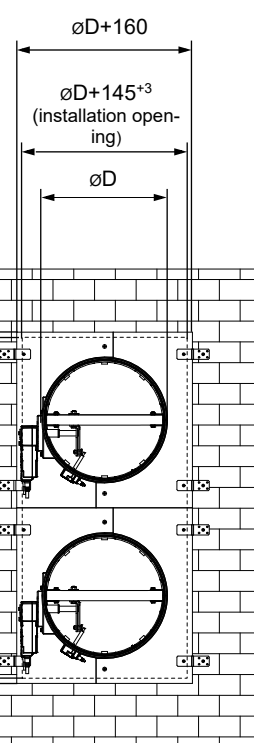
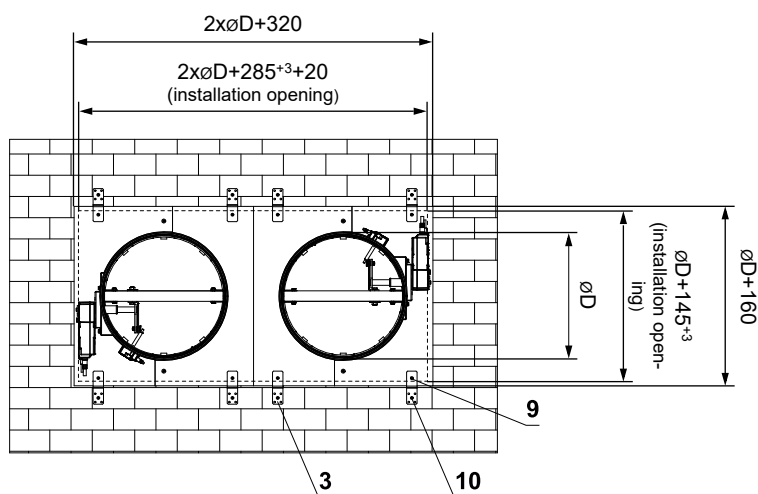
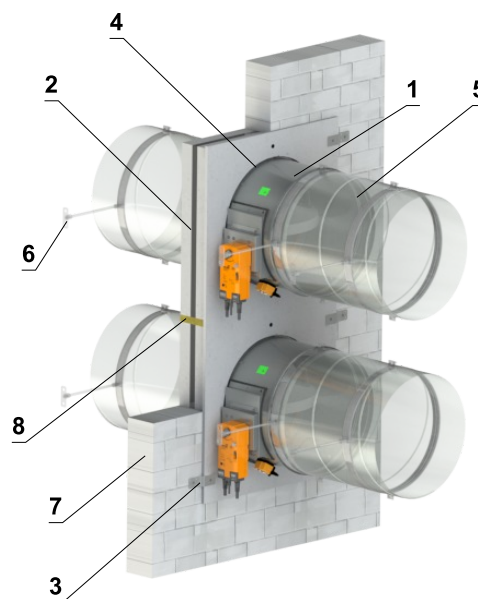
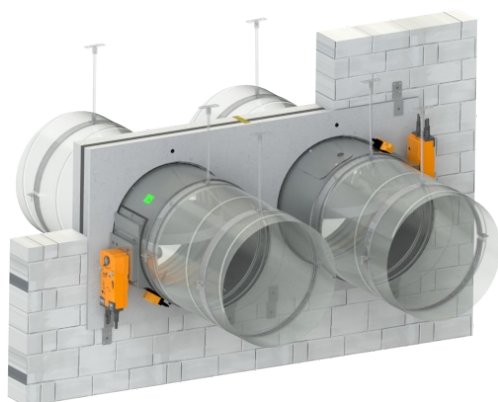
- 1 FDMR
- 2 Installation frame
- 3 Bracket (fastening material included in frame delivery)*
- 4 Fill the gaps with glue PROMAT K84
- 5 Duct
- 6 Clamp with threaded rod → see pages 80 to 82
- 7 Solid wall construction
- 8 Screw 4x16 mm to attach bracket to the frame
- 9 Screw 5x60 mm to attach bracket to the construction

* Bracket with fasteners for 1 damper		
FDMR diameter	Number of brackets	Number of screws
D ≤ 400	4	8
400 < D ≤ 800	8	16

In solid wall construction - 2 dampers in one opening- installation frame R1

EI 90 (v_e i↔o) S

- For connection of following duct → see page 83
- Installation frame can be installed on the damper or delivered separately
- Installation procedure of the installation frame for FDMR → see manual
- It is possible to install up to 4 dampers symmetrically in one opening



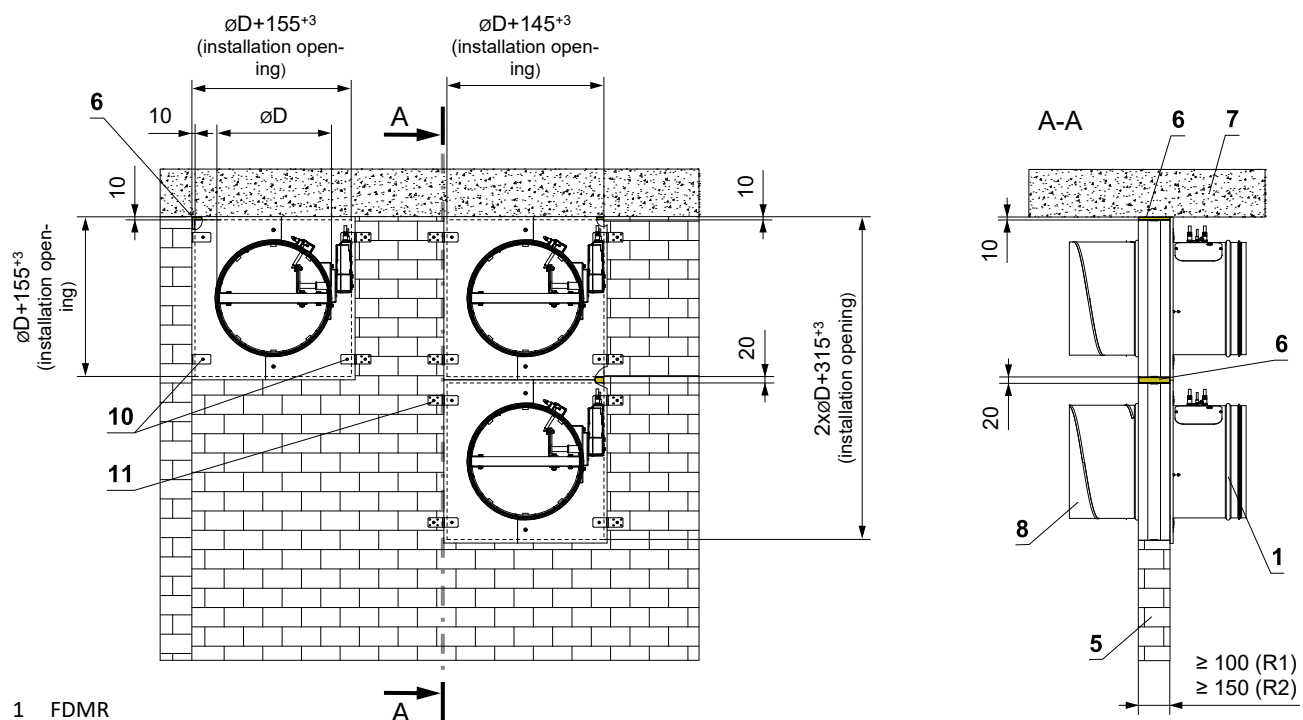
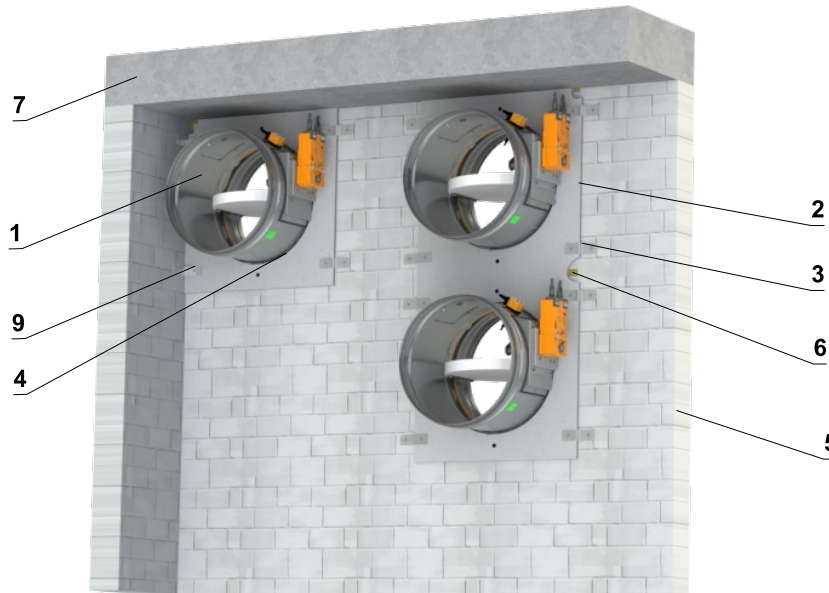
- 1 FDMR
- 2 Installation frame
- 3 Bracket (fastening material included in frame delivery)*
- 4 Fill the gaps with glue PROMAT K84
- 5 Duct
- 6 Clamp with threaded rod → see pages 80 to 82
- 7 Solid wall construction
- 8 Mineral wool board - min. density 140 kg/m³ (e.g. PROMAPYR-T150)
- 9 Screw 4x16 mm to attach bracket to the frame
- 10 Screw 5x60 mm to attach bracket to the construction

* Bracket with fasteners for 1 damper		
FDMR diameter	Number of brackets	Number of screws
D ≤ 400	4	8
400 < D ≤ 800	8	16

In solid wall construction - installation next to the wall/ceiling - installation frame R1, R2

EI 90 (v_e i↔o) S

- For connection of following duct → see page 83
- Installation frame can be installed on the damper or delivered separately
- Installation procedure of the installation frame for FDMR → see manual
- **Installation frame R1 - solid wall th. 100 mm or solid ceiling th. 150 mm**
- **Installation frame R2 - solid wall th. 150 mm or solid ceiling th. 150 mm**
- Conditions of this installation are also valid for the installation in Solid ceiling construction
- Mineral wool is fixed to the wall construction and to the installation frame with fire-protective mastic



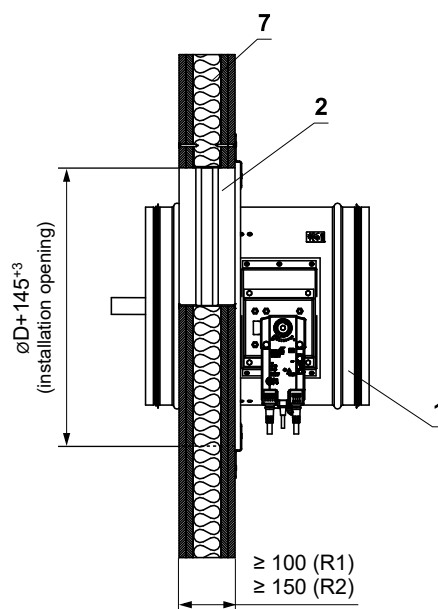
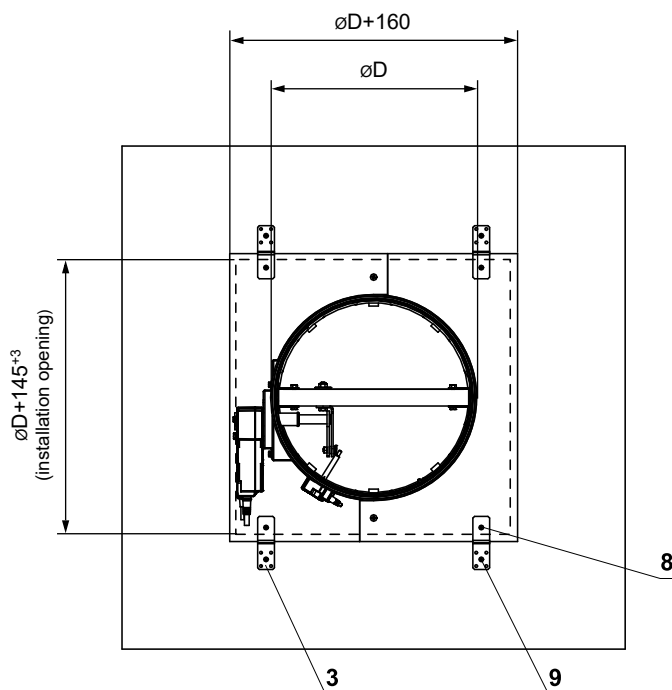
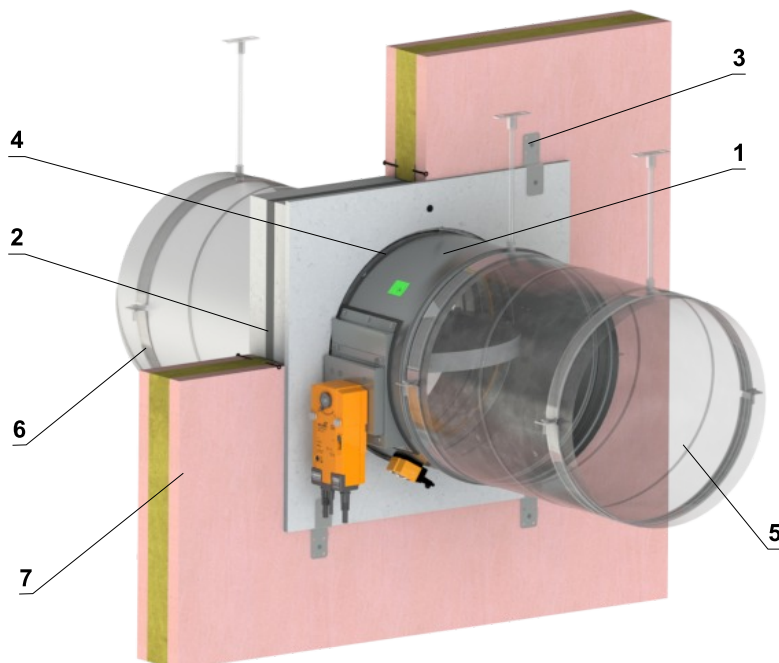
- 1 FDMR
- 2 Installation frame
- 3 Bracket (fastening material included in frame delivery)*
- 4 Fill the gaps with glue PROMAT K84
- 5 Solid wall construction
- 6 Mineral wool board - min. density 140 kg/m³ (e.g. PROMAPYR-T150)
- 7 Solid ceiling construction
- 8 Duct
- 9 Bracket L with fasteners (if required - must be specified in the order)
- 10 Screw 4x16 mm to attach bracket to the frame
- 11 Screw 5x60 mm to attach bracket to the construction

* Bracket with fasteners for 1 damper		
FDMR diameter	Number of brackets	Number of screws
D ≤ 400	4	8
400 < D ≤ 800	8	16

In gypsum wall construction - installation frame R1, R2

EI 90 (v_e i↔o) S

- For connection of following duct → see page 83
- Installation frame can be installed on the damper or delivered separately
- Installation procedure of the installation frame for FDMR → see manual
- **Installation frame R1 - wall th. 100 mm**
- **Installation frame R2 - wall th. 150 mm**



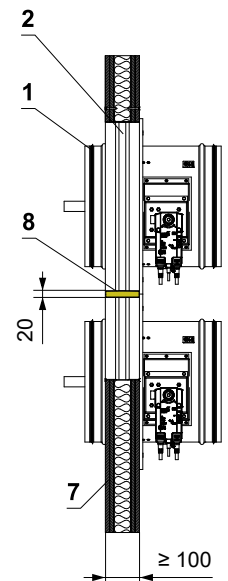
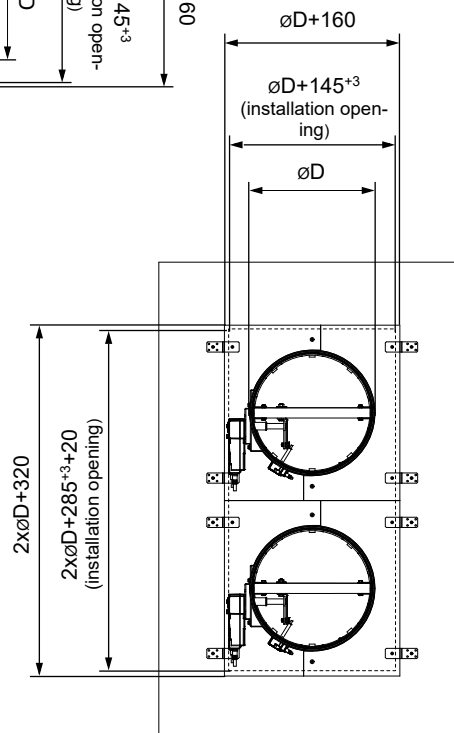
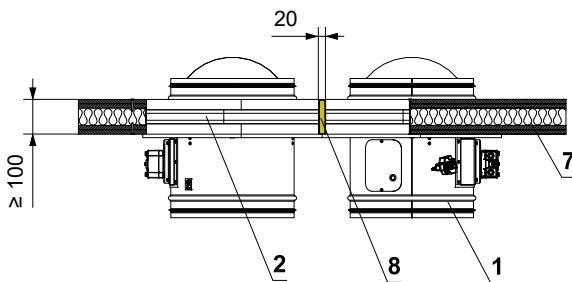
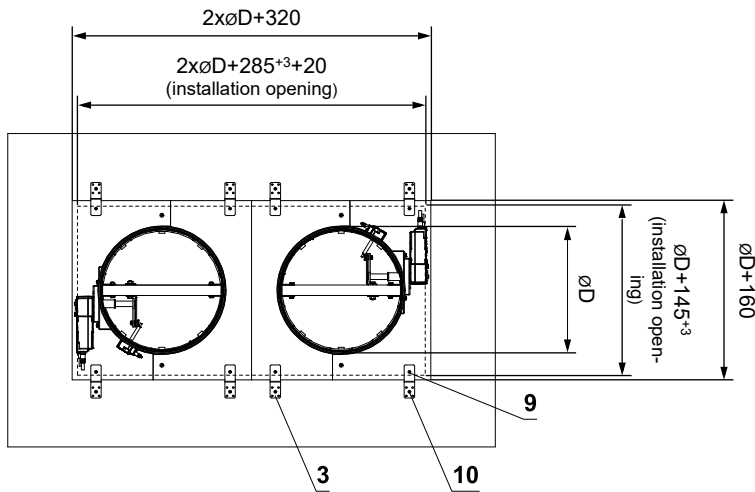
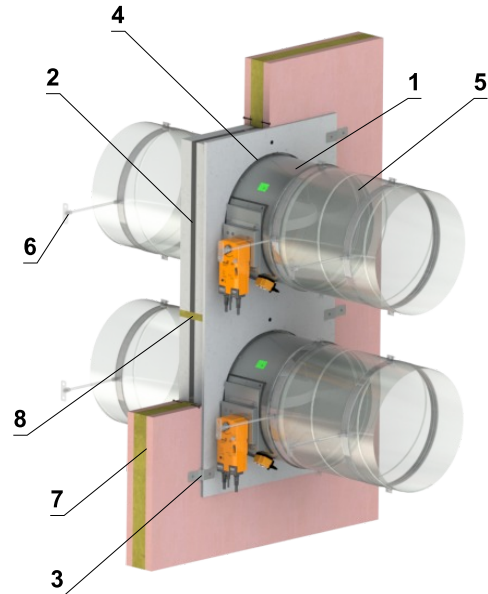
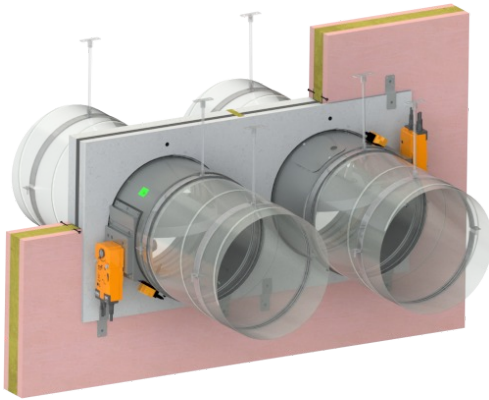
- 1 FDMR
- 2 Installation frame
- 3 Bracket (fastening material included in frame delivery)*
- 4 Fill the gaps with glue PROMAT K84
- 5 Duct
- 6 Clamp with threaded rod → see pages 80 to 82
- 7 Gypsum wall construction
- 8 Screw 4x16 mm to attach bracket to the frame
- 9 Screw 5x60 mm to attach bracket to the construction

* Bracket with fasteners for 1 damper		
FDMR diameter	Number of brackets	Number of screws
D ≤ 400	4	8
400 < D ≤ 800	8	16

In gypsum wall construction - 2 dampers in one opening- installation frame R1

EI 90 (v_e i↔o) S

- For connection of following duct → see page 83
- Installation frame can be installed on the damper or delivered separately
- Installation procedure of the installation frame for FDMR → see manual
- It is possible to install up to 4 dampers symmetrically in one opening



- 1 FDMR
- 2 Installation frame
- 3 Bracket (fastening material included in frame delivery)*
- 4 Fill the gaps with glue PROMAT K84
- 5 Duct
- 6 Clamp with threaded rod → see pages 80 to 82
- 7 Solid gypsum construction
- 8 Mineral wool board - min. density 140 kg/m³ (e.g. PROMAPYR-T150)
- 9 Screw 4x16 mm to attach bracket to the frame
- 10 Screw 5x60 mm to attach bracket to the construction

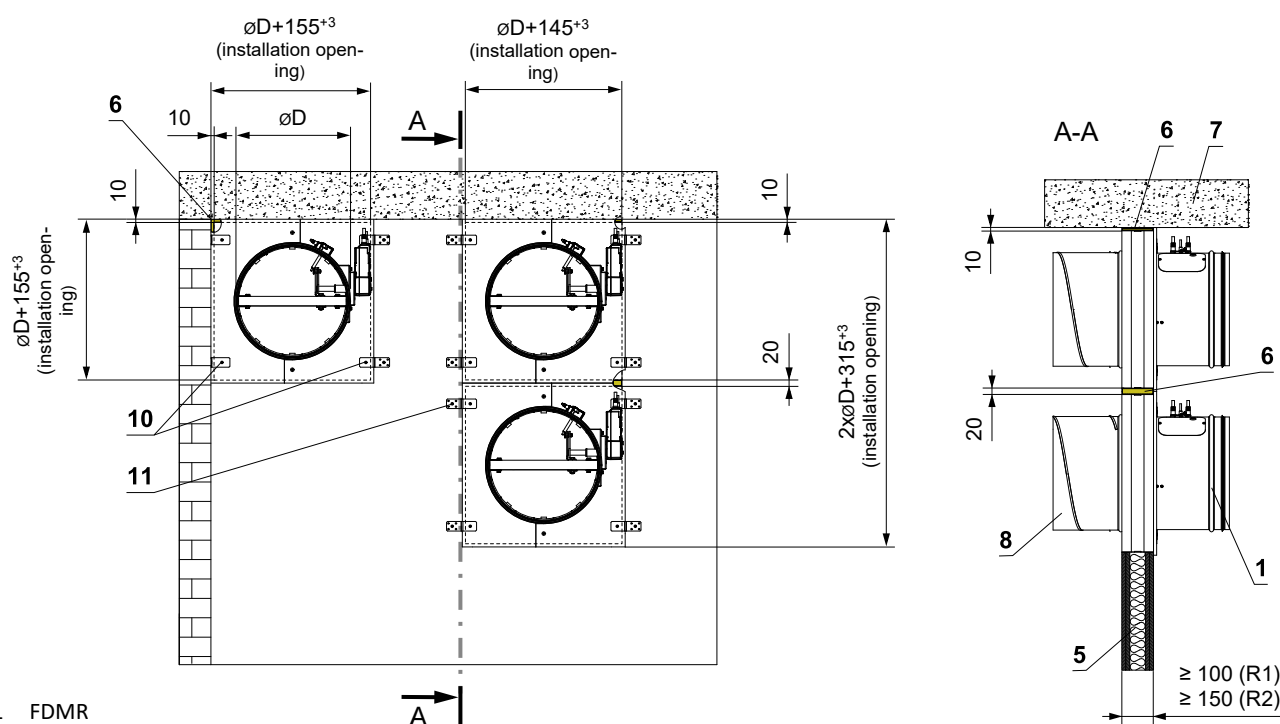
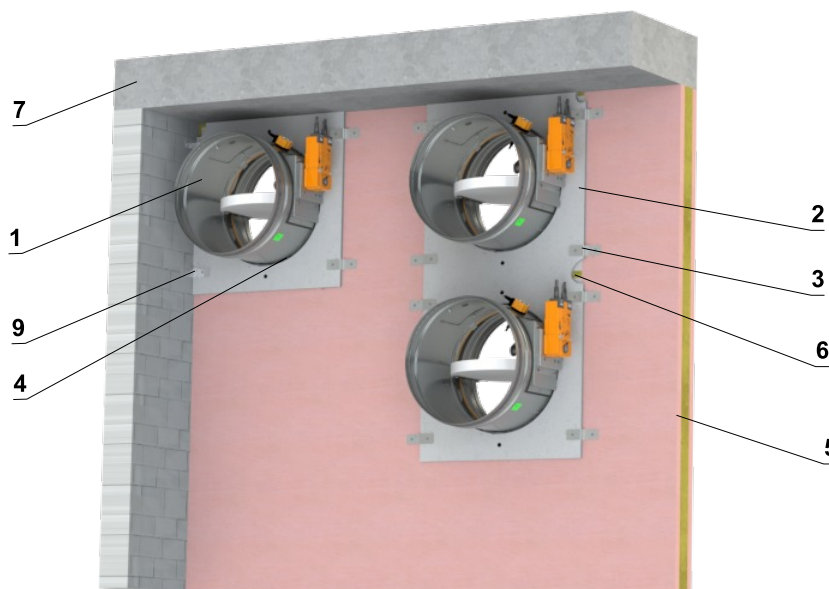
* Bracket with fasteners for 1 damper

FDMR diameter	Number of brackets	Number of screws
D ≤ 400	4	8
400 < D ≤ 800	8	16

In gypsum wall construction - installation next to the wall/ceiling - installation frame R1, R2

EI 90 (v_e i↔o) S

- For connection of following duct → see page 83
- Installation frame can be installed on the damper or delivered separately
- Installation procedure of the installation frame for FDMR → see manual
- **Installation frame R1 - gypsum wall th. 100 mm or solid ceiling th. 150 mm**
- **Installation frame R2 - gypsum wall th. 150 mm or solid ceiling th. 150 mm**
- Conditions of this installation are also valid for the installation in Solid ceiling construction
- Mineral wool is fixed to the wall construction and to the installation frame with fire-protective mastic



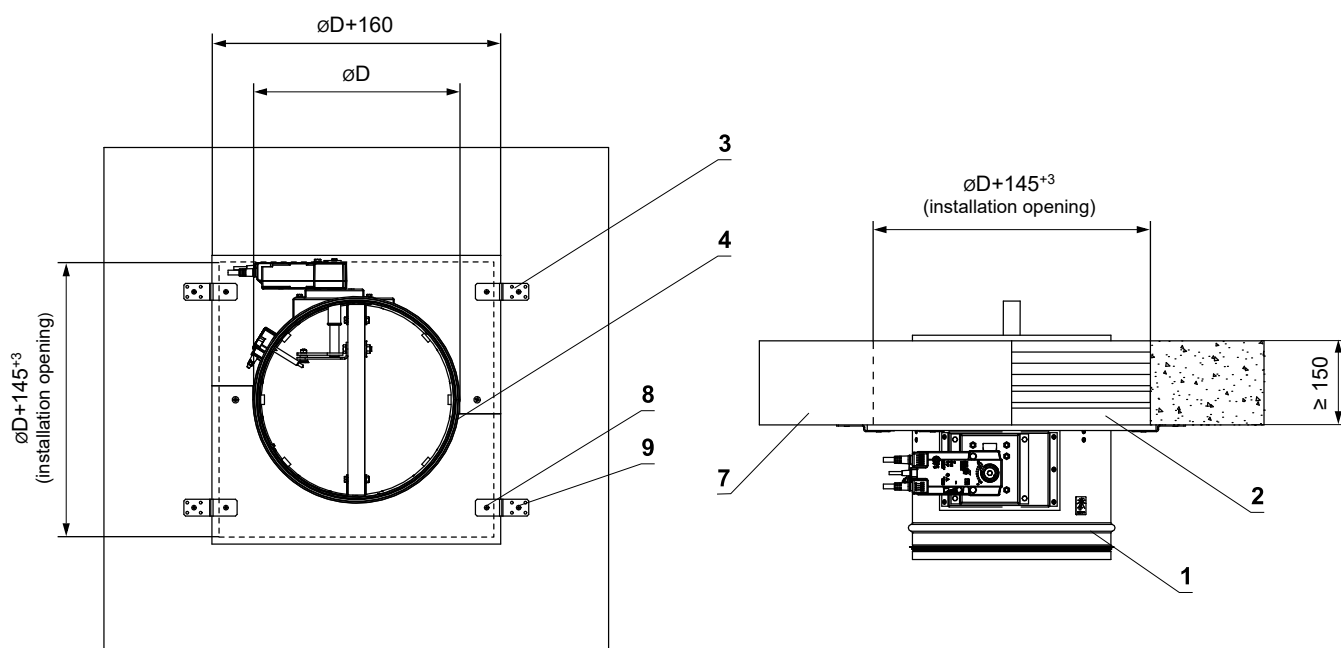
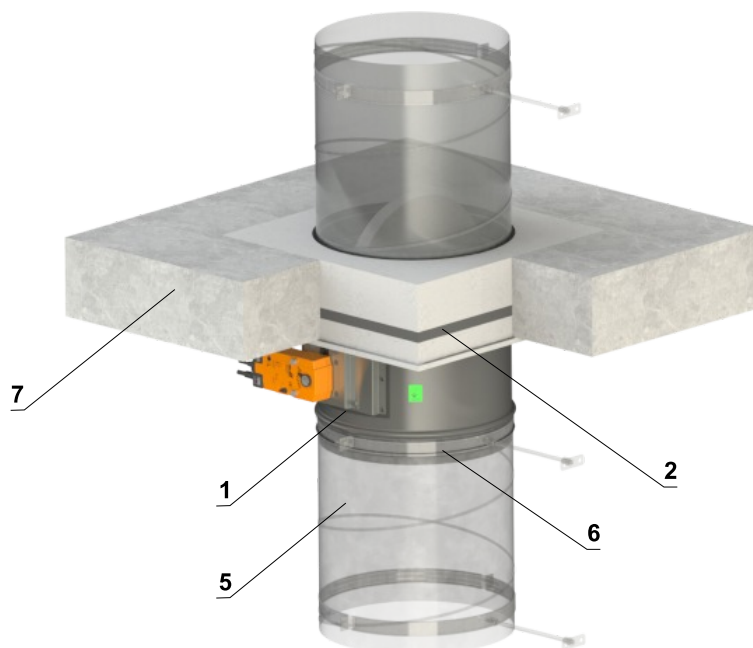
- 1 FDMR
- 2 Installation frame
- 3 Bracket (fastening material included in frame delivery)*
- 4 Fill the gaps with glue PROMAT K84
- 5 Gypsum wall construction
- 6 Mineral wool board - min. density 140 kg/m³ (e.g. PROMAPYR-T150)
- 7 Solid ceiling construction
- 8 Duct
- 9 Bracket L with fasteners (if required - must be specified in the order)
- 10 Screw 4x16 mm to attach bracket to the frame
- 11 Screw 5x60 mm to attach bracket to the construction

* Bracket with fasteners for 1 damper		
FDMR diameter	Number of brackets	Number of screws
D ≤ 400	4	8
400 < D ≤ 800	8	16

In solid ceiling construction - installation frame R1, R2

EI 90 (h_o i↔o) S

- For connection of following duct → see page 83
- Installation frame can be installed on the damper or delivered separately
- Installation procedure of the installation frame for FDMR → see manual
- Installation frame R1, R2 - ceiling th. 150 mm



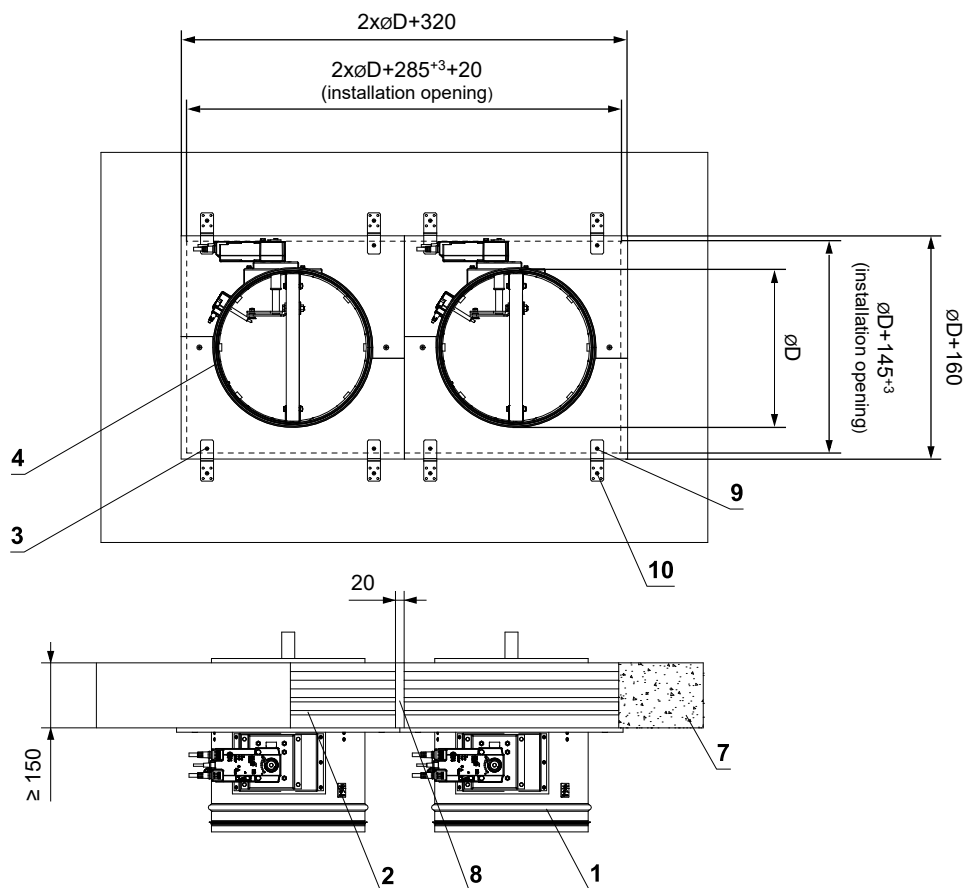
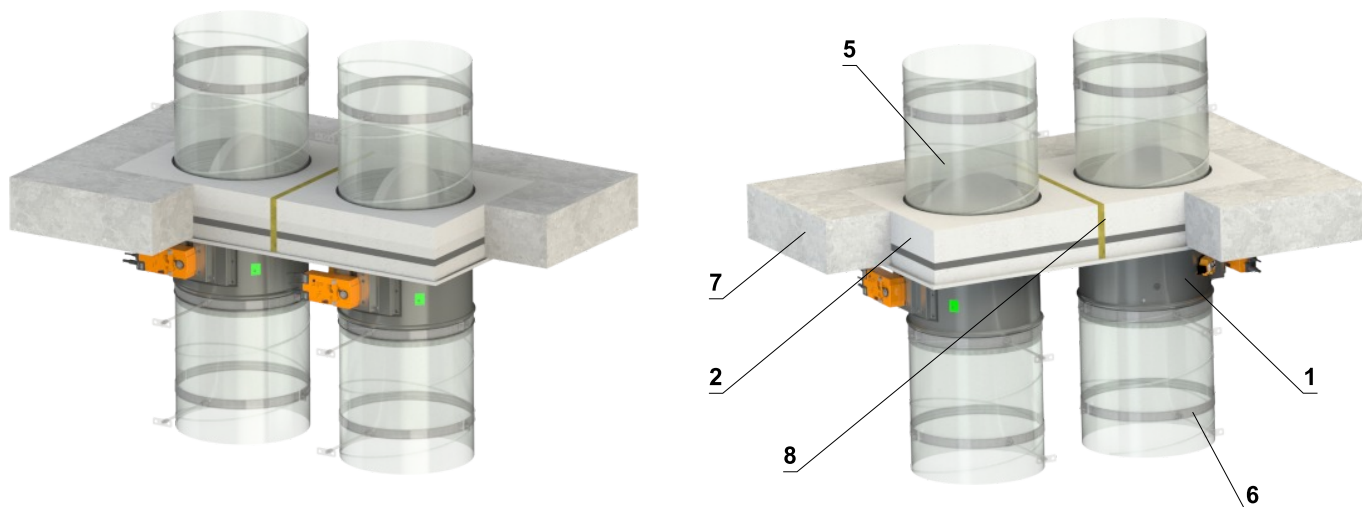
- 1 FDMR
- 2 Installation frame
- 3 Bracket (fastening material included in frame delivery)*
- 4 Fill the gaps with glue PROMAT K84
- 5 Duct
- 6 Clamp with threaded rod → see pages 80 to 82
- 7 Solid ceiling construction
- 8 Screw 4x16 mm to attach bracket to the frame
- 9 Screw 5x60 mm to attach bracket to the construction

* Bracket with fasteners for 1 damper		
FDMR diameter	Number of brackets	Number of screws
$D \leq 400$	4	8
$400 < D \leq 800$	8	16

In solid ceiling construction - 2 dampers in one opening- installation frame R2

EI 90 (h_o i↔o) S

- For connection of following duct → see page 83
- Installation frame can be installed on the damper or delivered separately
- Installation procedure of the installation frame for FDMR → see manual
- It is possible to install up to 4 dampers symmetrically in one opening



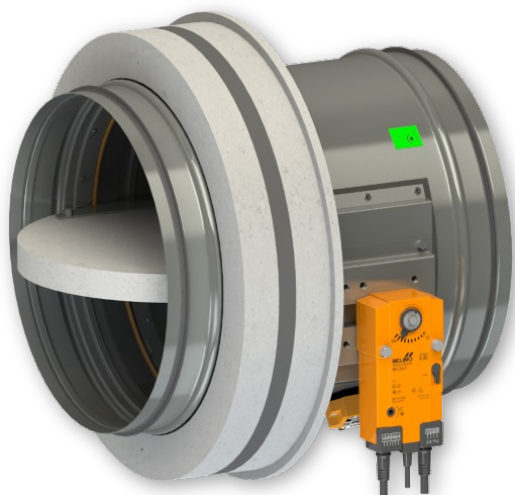
- 1 FDMR
- 2 Installation frame
- 3 Bracket (fastening material included in frame delivery)*
- 4 Fill the gaps with glue PROMAT K84
- 5 Duct
- 6 Clamp with threaded rod → see pages 80 to 82
- 7 Solid ceiling construction
- 8 Mineral wool board - min. density 140 kg/m³ (e.g. PROMAPYR-T150)
- 9 Screw 4x16 mm to attach bracket to the frame
- 10 Screw 5x60 mm to attach bracket to the construction

* Bracket with fasteners for 1 damper		
FDMR diameter	Number of brackets	Number of screws
D ≤ 400	4	8
400 < D ≤ 800	8	16

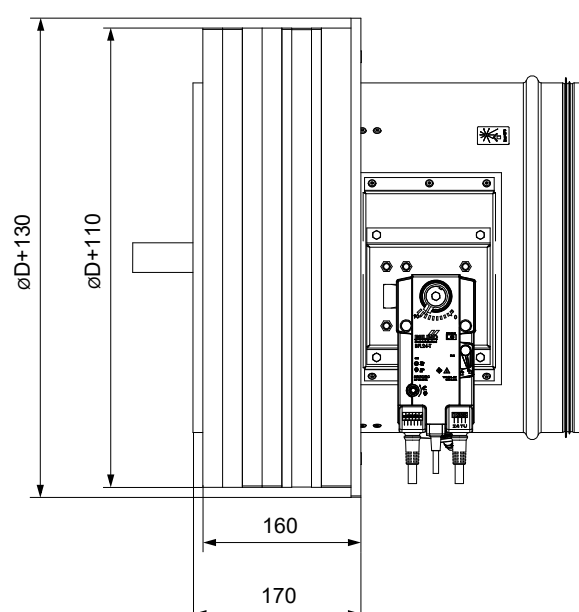
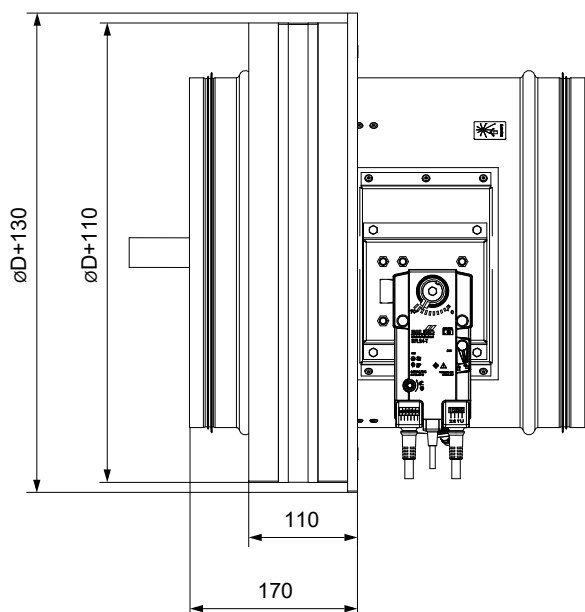
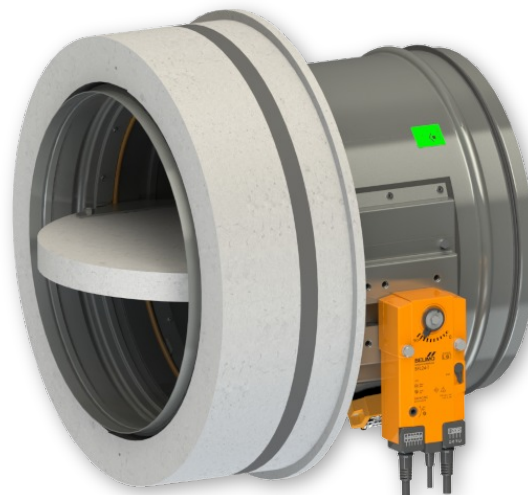
Installation frame R3, R4

- Installation frames R3, R4 are designed for installation without additional sealing of the penetration into:
 - Solid wall construction
 - Solid ceiling construction
- Installation frame is equipped with an intumescent sealing on the inside and outside. This sealing fills the gap between the damper casing and frame and between the frame and construction in the event of a fire
- **Installation frame R3 - solid wall th. 100 mm or solid ceiling th. 150 mm**
- **Installation frame R4 - solid wall th. 150 mm or solid ceiling th. 150 mm**
- Material:
 - Installation frame - cement-lime boards
 - Fasteners - galvanized steel

Installation frame R3



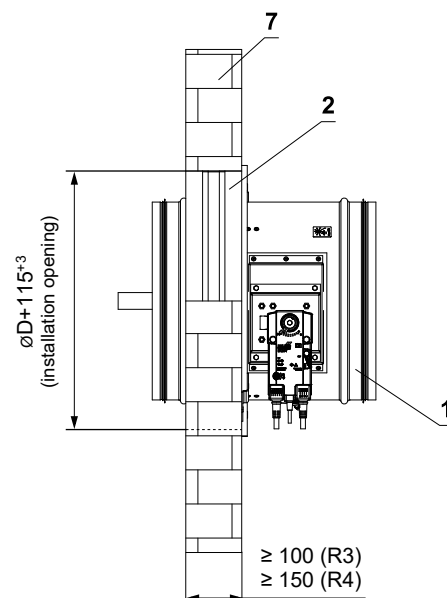
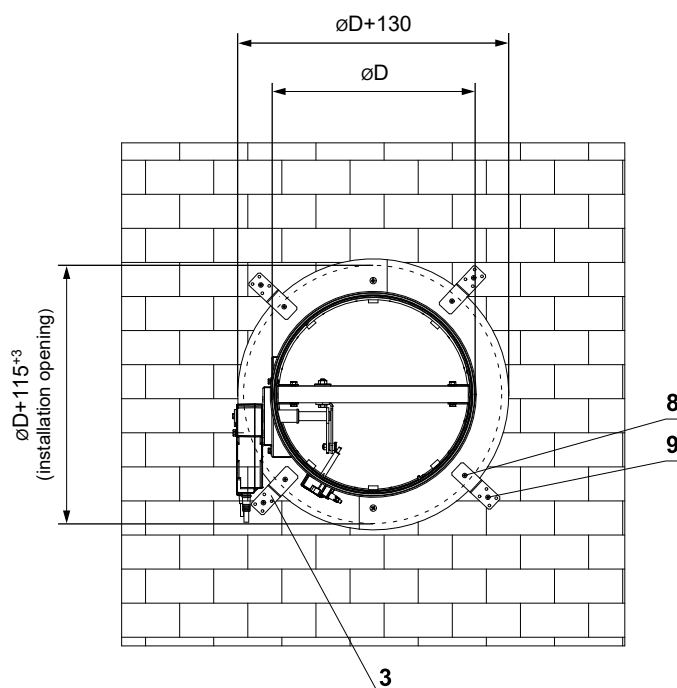
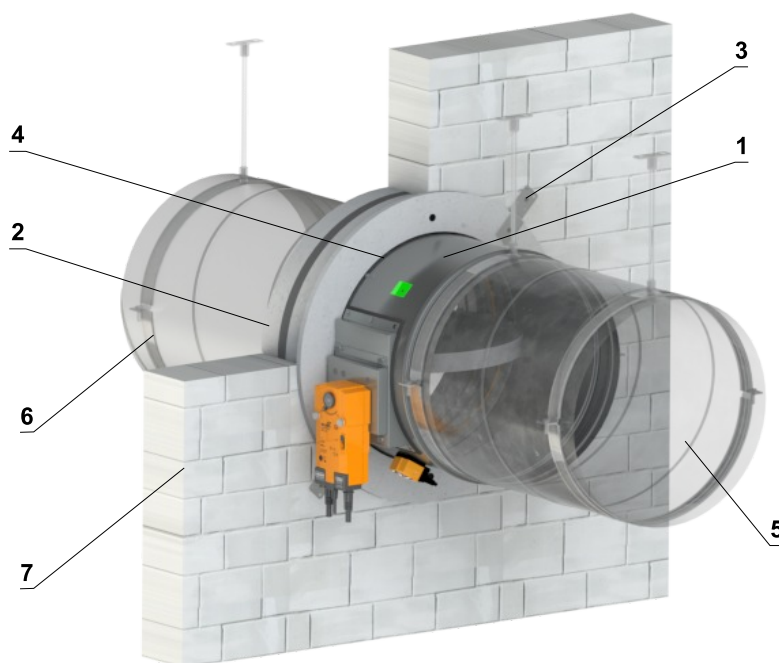
Installation frame R4



In solid wall construction - installation frame R3, R4

EI 90 (v_e i↔o) S

- For connection of following duct → see page 83
- Installation frame can be installed on the damper or delivered separately
- Installation procedure of the installation frame for FDMR → see manual
- Installation frame R3 - wall th. 100 mm
- Installation frame R4 - wall th. 150 mm



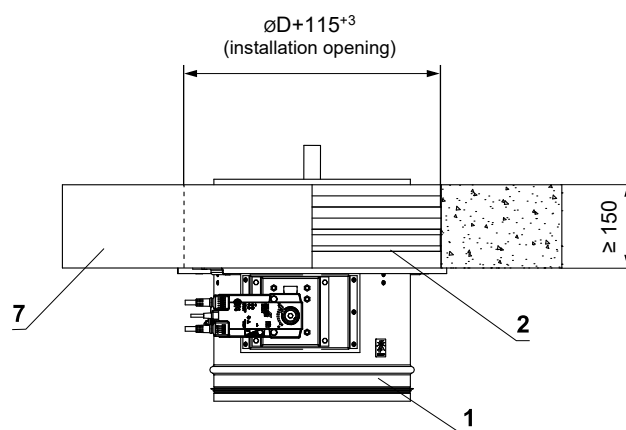
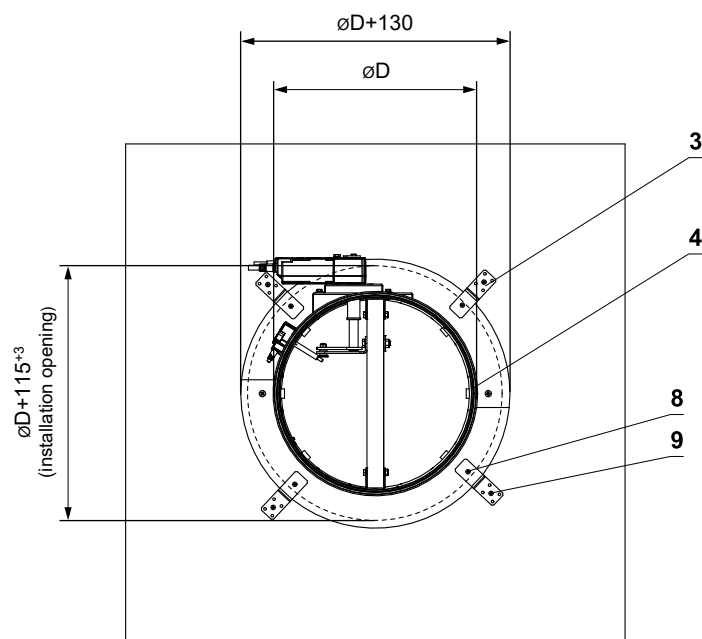
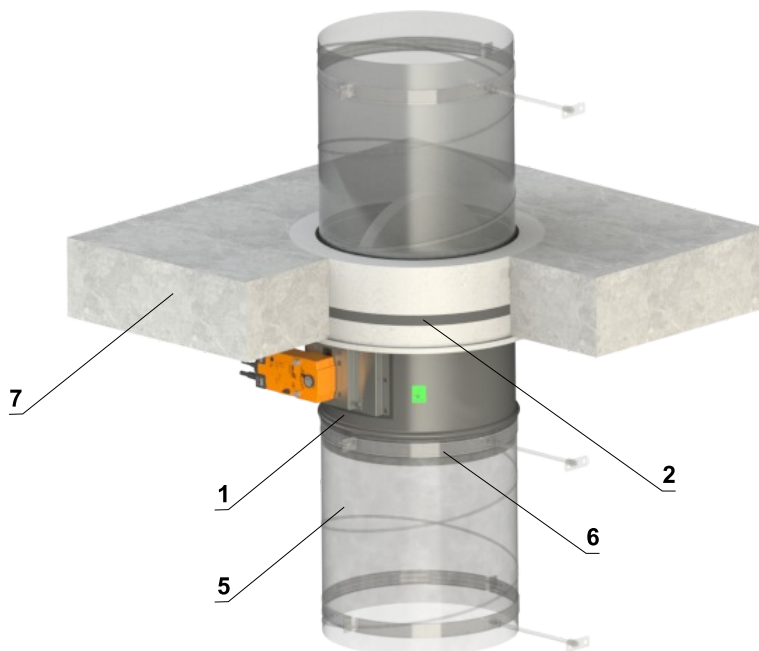
- 1 FDMR
- 2 Installation frame
- 3 Bracket (fastening material included in frame delivery)*
- 4 Fill the gaps with glue PROMAT K84
- 5 Duct
- 6 Clamp with threaded rod → see pages 80 to 82
- 7 Solid wall construction
- 8 Screw 4x16 mm to attach bracket to the frame
- 9 Screw 5x60 mm to attach bracket to the construction

* Bracket with fasteners for 1 damper		
FDMR diameter	Number of brackets	Number of screws
$D \leq 400$	4	8
$400 < D \leq 800$	8	16

In solid ceiling construction - installation frame R3, R4

EI 90 (h_o i↔o) S

- For connection of following duct → see page 83
- Installation frame can be installed on the damper or delivered separately
- Installation procedure of the installation frame for FDMR → see manual
- Installation frame R3, R4 - ceiling th. 150 mm



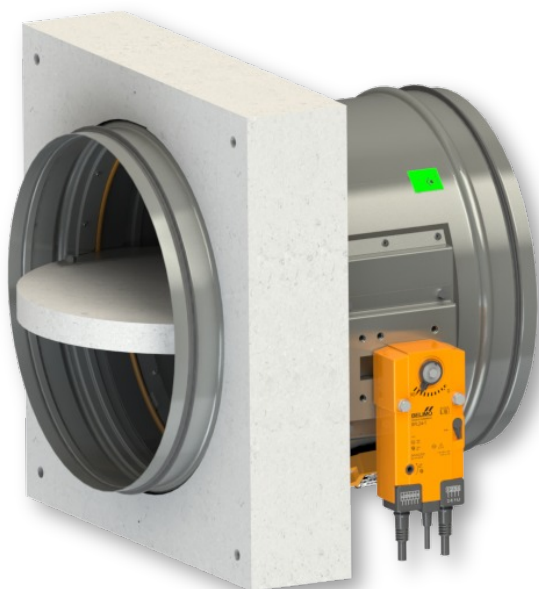
- 1 FDMR
- 2 Installation frame
- 3 Bracket (fastening material included in frame delivery)*
- 4 Fill the gaps with glue PROMAT K84
- 5 Duct
- 6 Clamp with threaded rod → see pages 80 to 82
- 7 Solid ceiling construction
- 8 Screw 4x16 mm to attach bracket to the frame
- 9 Screw 5x60 mm to attach bracket to the construction

* Bracket with fasteners for 1 damper		
FDMR diameter	Number of brackets	Number of screws
$D \leq 400$	4	8
$400 < D \leq 800$	8	16

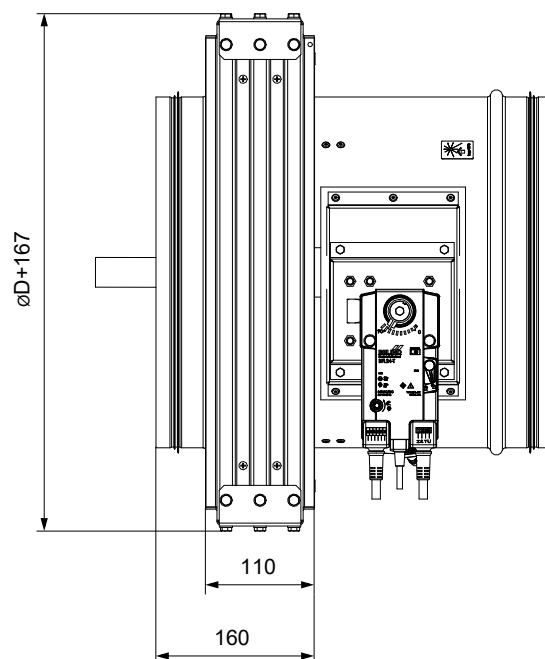
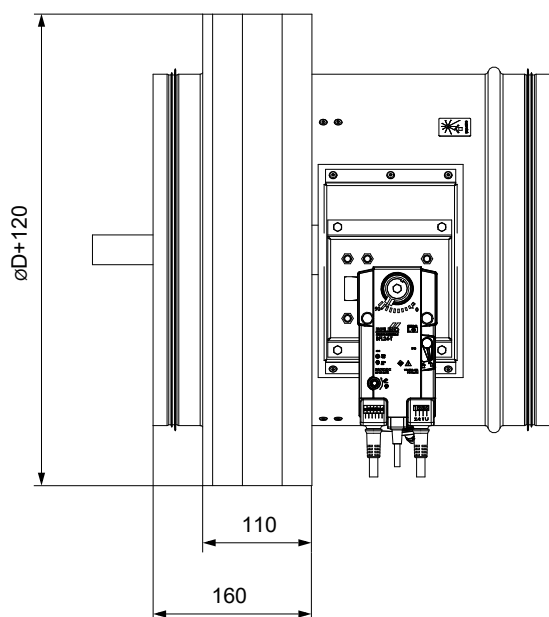
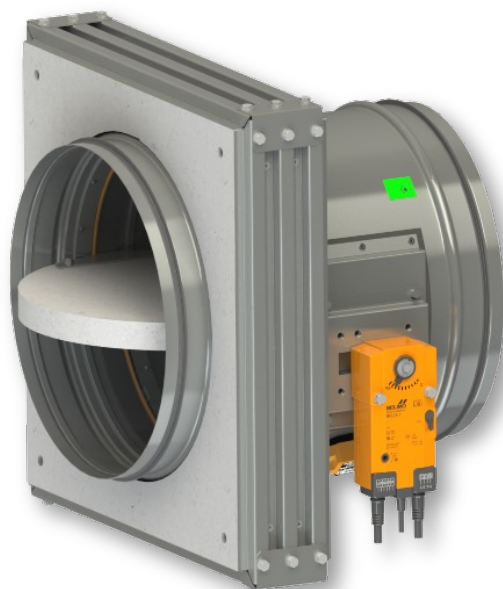
Installation frame R5

- Installation frames R5 is designed for installation on:
 - Solid wall construction
 - Gypsum wall construction
 - Solid ceiling construction
 - Outside solid ceiling construction with concreting
- Installation frame R5 is only for SPIRO design
- Installation frame is equipped with an intumescent sealing on the inside. This sealing fills the gap between the damper casing and frame in the event of a fire
- Installation frame R5 for dampers from $\varnothing D$ 225 mm is with sheet metal reinforcements
- Material:
 - Installation frame - cement-lime boards
 - Fasteners - galvanized steel

Installation frame R5 ($\varnothing D$ 100-200)



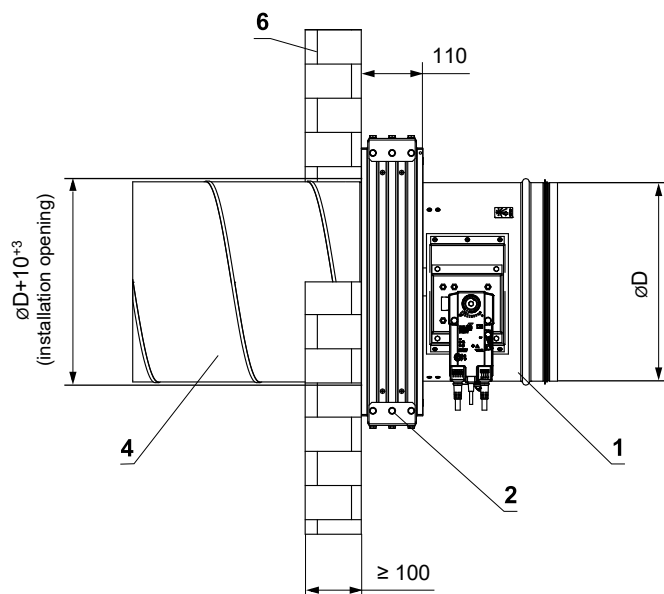
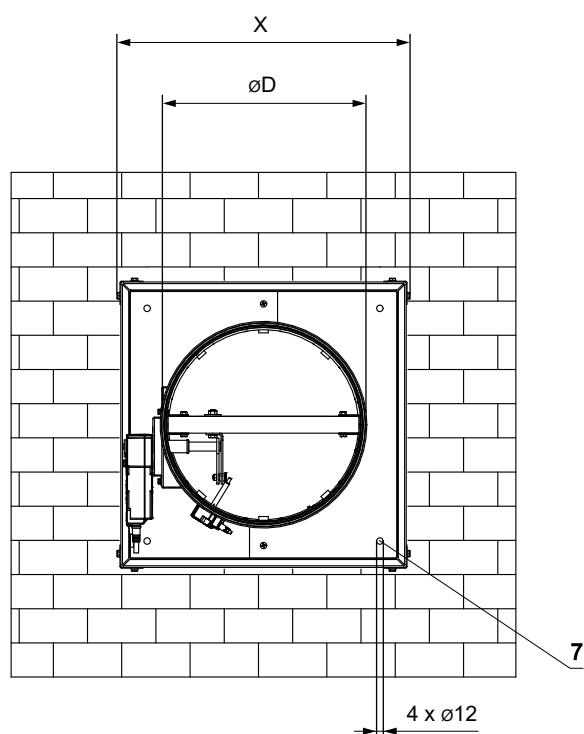
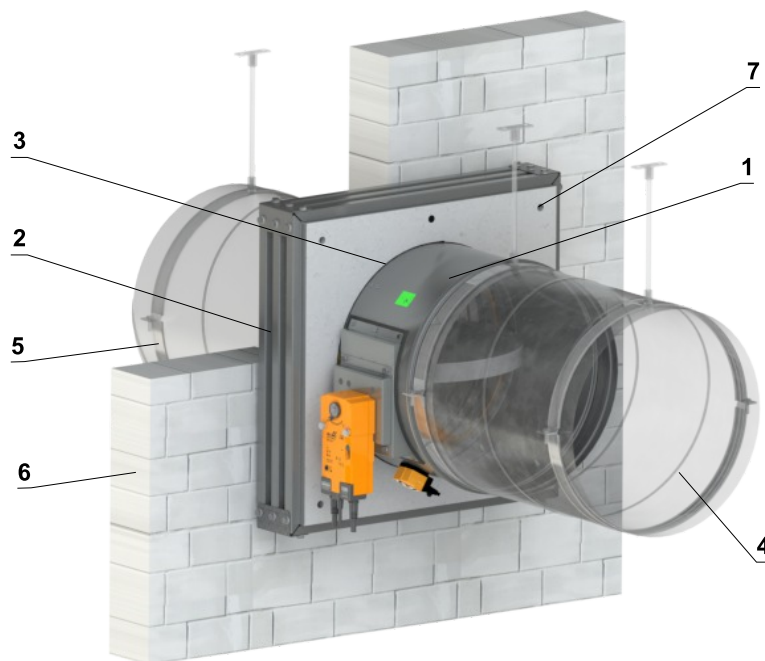
Installation frame R5 ($\varnothing D$ 225-800)



In solid wall construction - installation frame R5

EI 90 (v_e i↔o) S

- For connection of following duct → see page 83
- Installation frame can be installed on the damper or delivered separately
- Installation procedure of the installation frame for FDMR → see manual



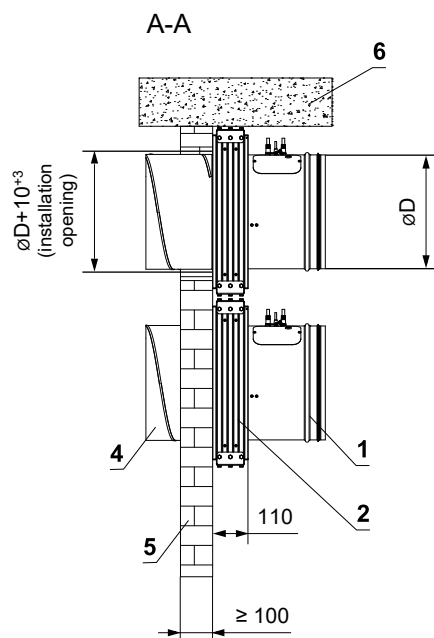
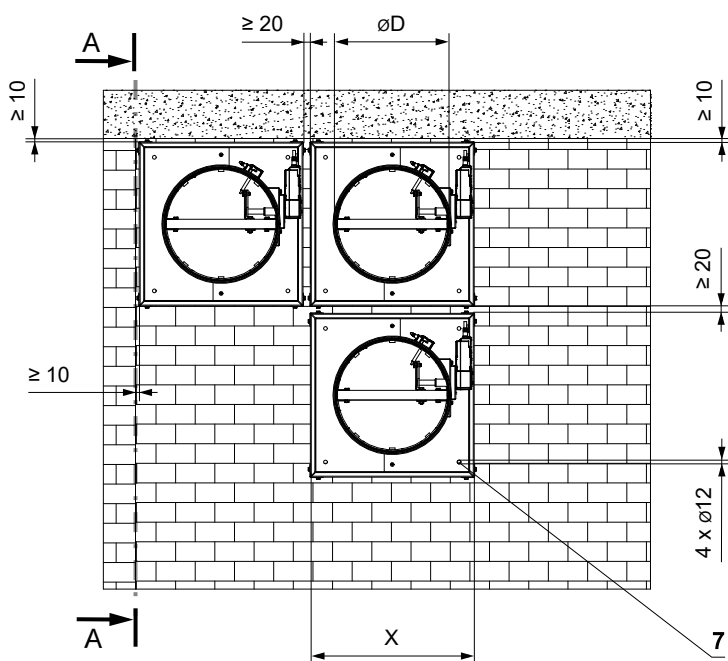
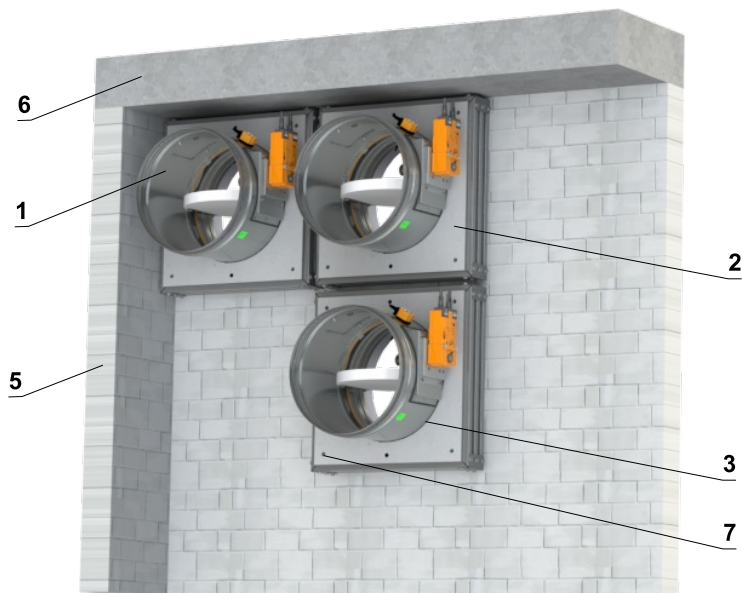
- 1 FDMR
- 2 Installation frame - apply HILTI CFS-S ACR mastic at the entire area and glue it to the fire separating construction
- 3 Fill the gaps with glue PROMAT K84
- 4 Duct
- 5 Clamp with threaded rod → see pages 80 to 82
- 6 Solid wall construction
- 7 Holes for fixing the frame with threaded rods or steel anchors (frame fixing material not included)

X = øD+120 for dampers øD 100-200 mm
X = øD+167 for dampers øD 225-800 mm

In solid wall construction - installation next to the wall/ceiling - installation frame R5

EI 90 (v_e i↔o) S

- For connection of following duct → see page 83
- Installation frame can be installed on the damper or delivered separately
- Installation procedure of the installation frame for FDMR → see manual
- Conditions of this installation are also valid for the installation in Solid ceiling construction



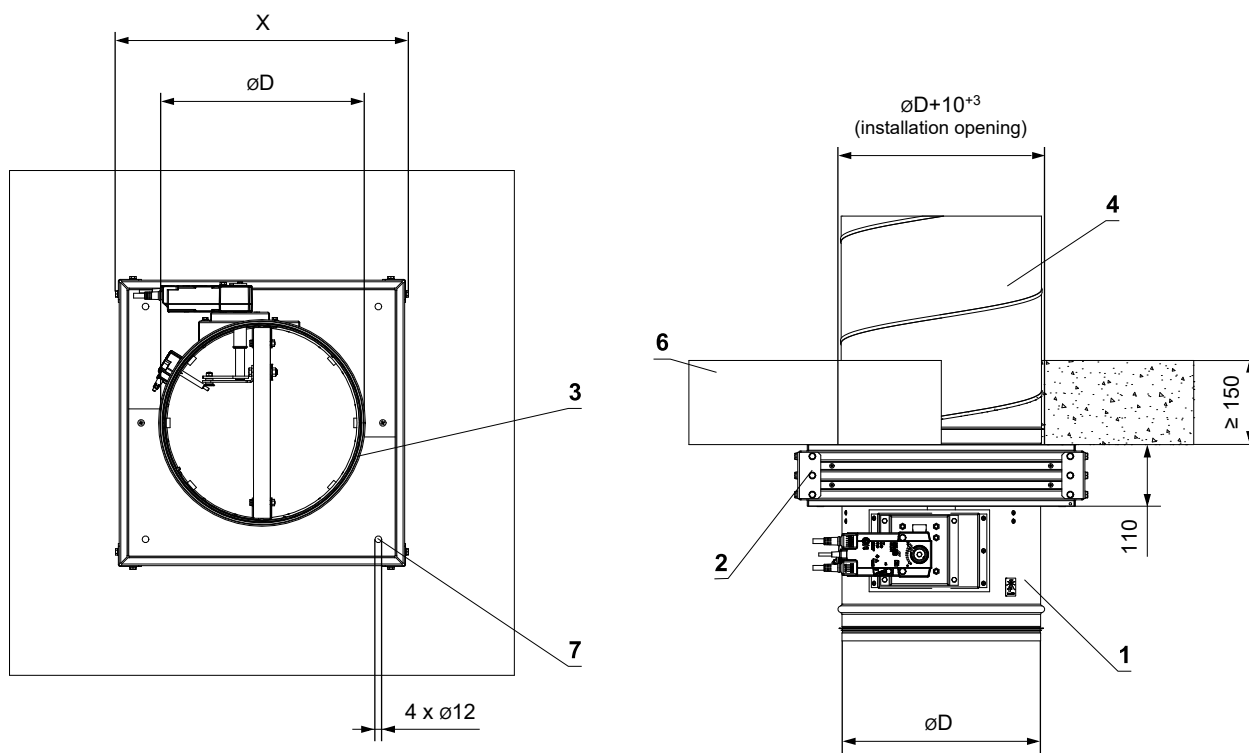
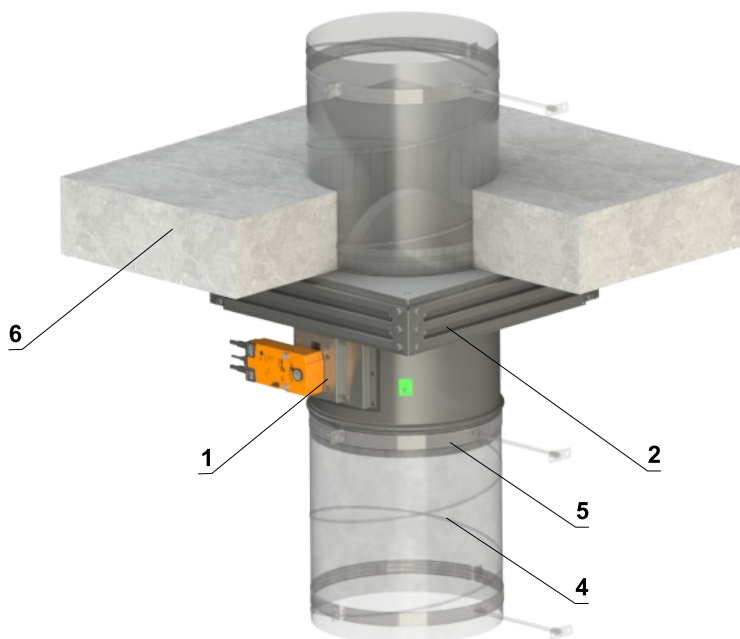
- 1 FDMR
- 2 Installation frame - apply HILTI CFS-S ACR mastic at the entire area and glue it to the fire separating construction
- 3 Fill the gaps with glue PROMAT K84
- 4 Duct
- 5 Solid wall construction
- 6 Solid ceiling construction
- 7 Holes for fixing the frame with threaded rods or steel anchors (frame fixing material not included)

X = øD+120 for dampers øD 100-200 mm
X = øD+167 for dampers øD 225-800 mm

In solid ceiling construction - installation frame R5

EI 90 (h_o i↔o) S

- For connection of following duct → see page 83
- Installation frame can be installed on the damper or delivered separately
- Installation procedure of the installation frame for FDMR → see manual



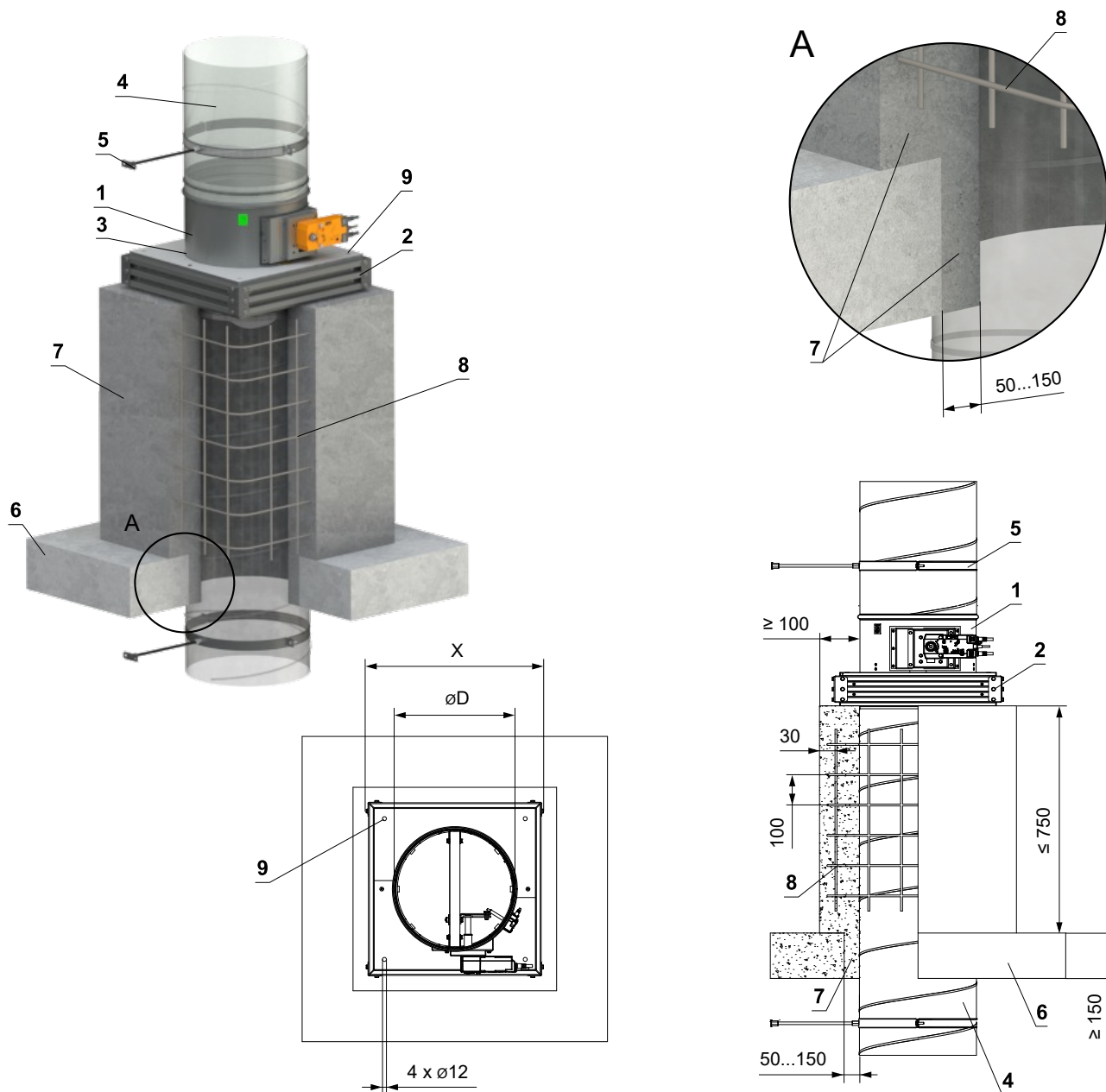
- 1 FDMR
- 2 Installation frame - apply HILTI CFS-S ACR mastic at the entire area and glue it to the fire separating construction
- 3 Fill the gaps with glue PROMAT K84
- 4 Duct
- 5 Clamp with threaded rod → see pages 80 to 82
- 6 Solid ceiling construction
- 7 Holes for fixing the frame with threaded rods or steel anchors (frame fixing material not included)

$X = \varnothing D + 120$ for dampers $\varnothing D$ 100-200 mm
 $X = \varnothing D + 167$ for dampers $\varnothing D$ 225-800 mm

Outside solid ceiling construction - concreting - installation frame R5

EI 90 (h_o i↔o) S

- For connection of following duct → see page 83
- The duct must be suspended or supported on both sides of the damper acc. to national rules
- Load of the suspension system depends on weight of the fire damper and duct system → see page 80
- Max. distance between two suspension systems is 1500 mm
- Following air-conditioning duct must be suspended or supported so that all load transfer from the following duct to the fire damper is absolutely excluded. Adjacent duct must be suspended or supported, as required by the duct suppliers
- Installation frame can be installed on the damper or delivered separately
- Installation procedure of the installation frame for FDMR → see manual



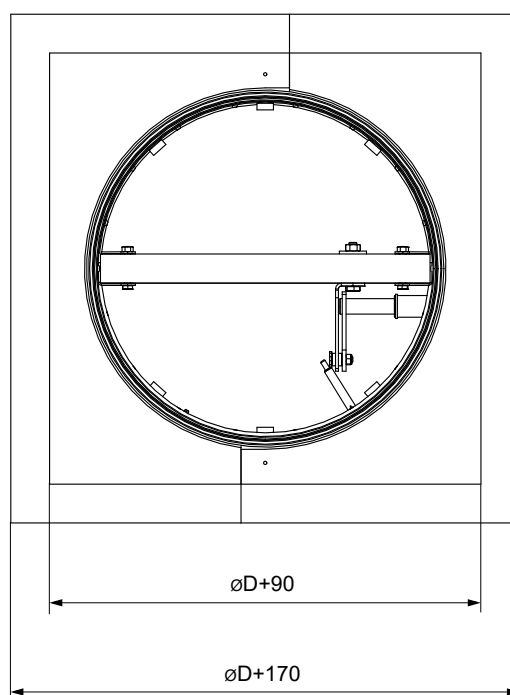
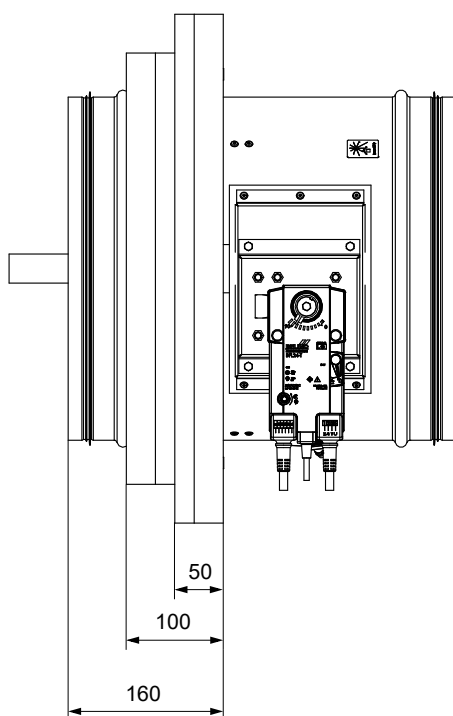
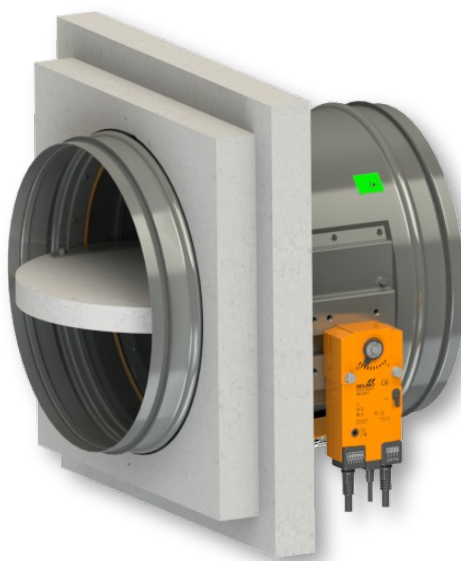
- 1 FDMR
- 2 Installation frame - apply HILTI CFS-S ACR mastic at the entire area and glue it to the fire separating construction
- 3 Fill the gaps with glue PROMAT K84
- 4 Standard air duct, made of galvanized sheet metal min. thickness 0,8 mm
- 5 Clamp with threaded rod → see pages 80 to 82
- 6 Solid ceiling construction
- 7 Concrete B20
- 8 Rebar - steel rod \varnothing 6 mm, mesh hole 100 mm
- 9 Holes for fixing the frame with threaded rods or steel anchors (frame fixing material not included)

X = \varnothing D+120 for dampers \varnothing D 100-200 mm
X = \varnothing D+167 for dampers \varnothing D 225-800 mm

Installation frame R6

- Installation frames R6 is designed for installation without additional sealing of the penetration for:
 - Installation outside solid wall/ceiling construction with insulation from fire-resistant boards
- Installation frame is equipped with an intumescent sealing on the inside. This sealing fills the gap between the damper casing and frame in the event of a fire
- Material:
 - Installation frame - cement-lime boards
 - Fasteners - galvanized steel

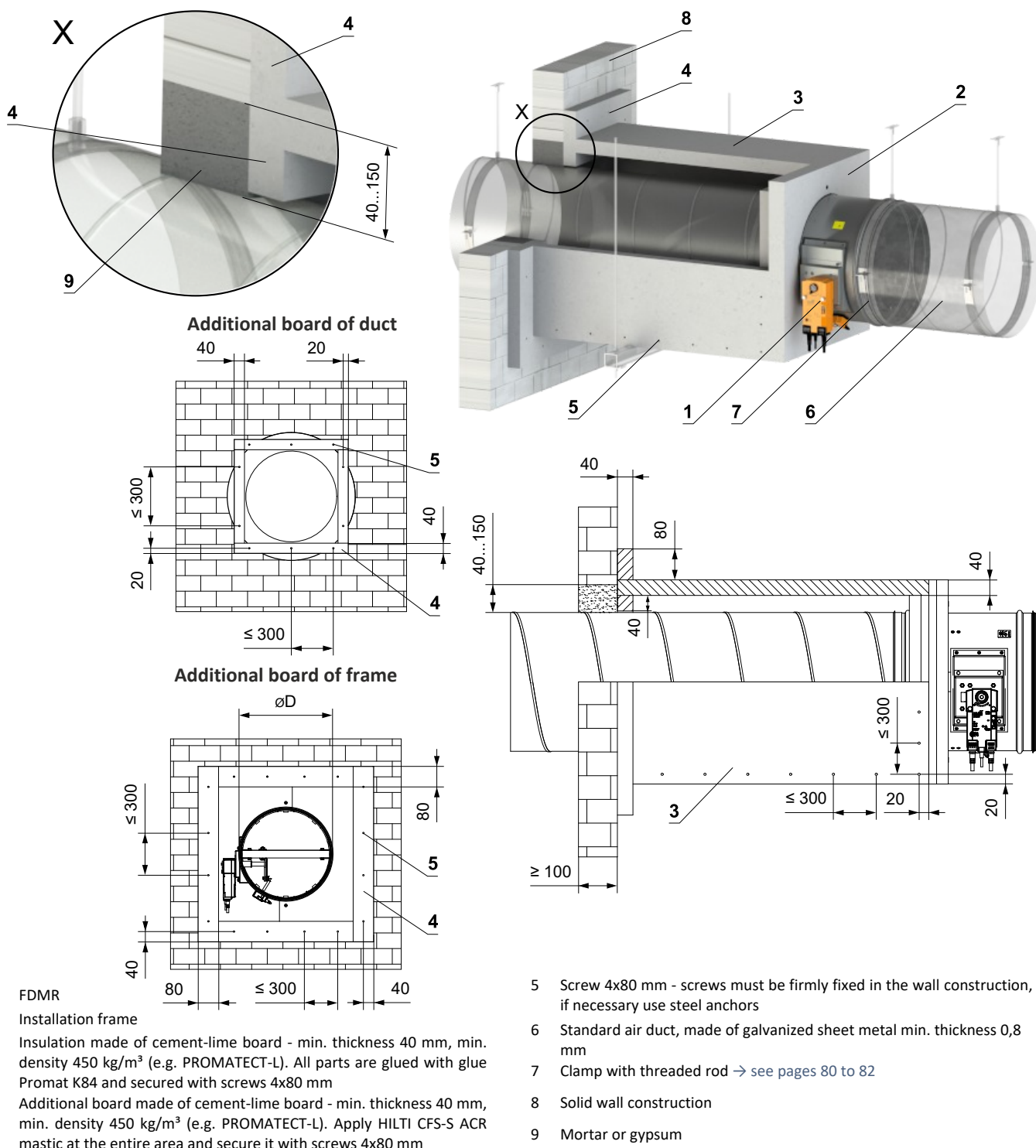
Installation frame R6



**Outside solid wall construction - insulation from fire-resistant boards - mortar or gypsum
- installation frame R6**

EI 90 (v_e i↔o) S

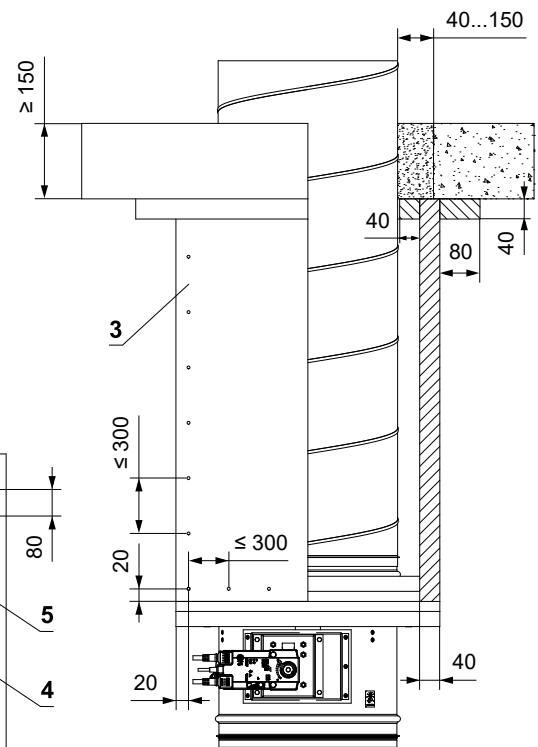
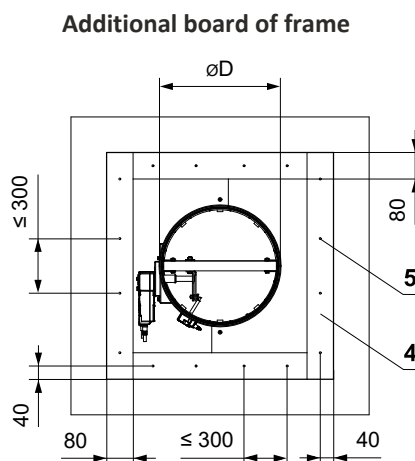
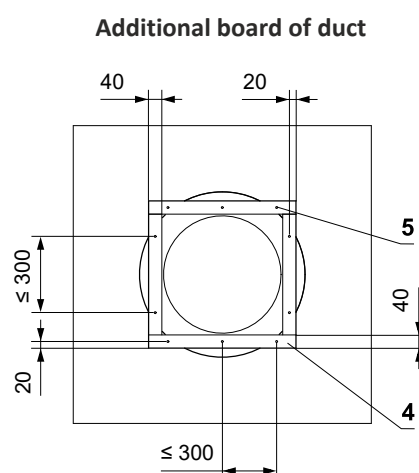
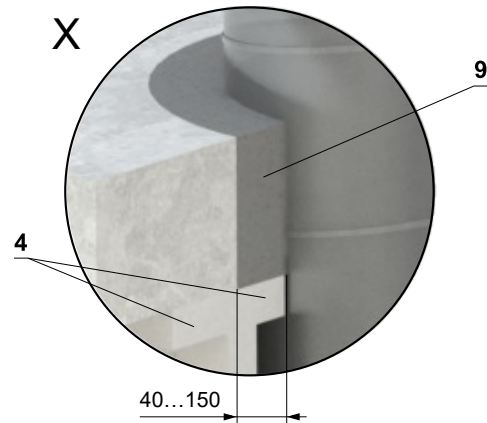
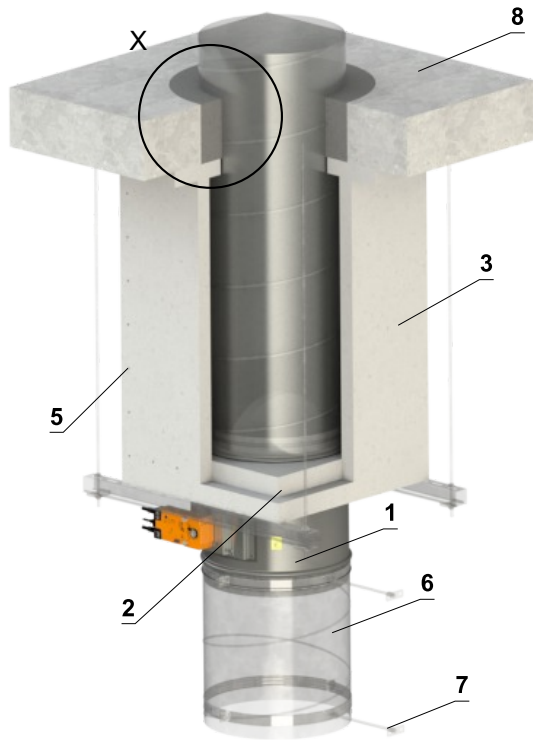
- For connection of following duct → see page 83
- Minimum and maximum distance between the wall and fire damper is unlimited
- Insulation must be suspended using threaded rods and mounting profiles or other mounting system, according to national standards
- Duct inside the insulation must be suitably supported. The insulation must be suspended at the point of the duct support using threaded rods and mounting profiles
- Load of the suspension system depends on weight of the fire damper, duct system and the insulation → see page 80
- Max. distance between two suspension systems is 1500 mm
- Following air-conditioning duct must be suspended or supported so that all load transfer from the following duct to the fire damper is absolutely excluded
Adjacent duct must be suspended or supported, as required by the duct suppliers
- Installation frame can be installed on the damper or delivered separately
- Installation procedure of the installation frame for FDMR → see manual



**Outside solid ceiling construction - insulation from fire-resistant boards - mortar or gypsum
- installation frame R6**

EI 90 (h_o i↔o) S

- For connection of following duct → see page 83
- Minimum and maximum distance between the ceiling and fire damper is unlimited
- Insulation must be suspended using threaded rods and mounting profiles or other mounting system, according to national standards
- Load of the suspension system depends on weight of the fire damper, duct system and insulation → see page 80
- Max. distance between two suspension systems is 1500 mm
- Following air-conditioning duct must be suspended or supported so that all load transfer from the following duct to the fire damper is absolutely excluded
Adjacent duct must be suspended or supported, as required by the duct suppliers
- Installation frame can be installed on the damper or delivered separately
- Installation procedure of the installation frame for FDMR → see manual

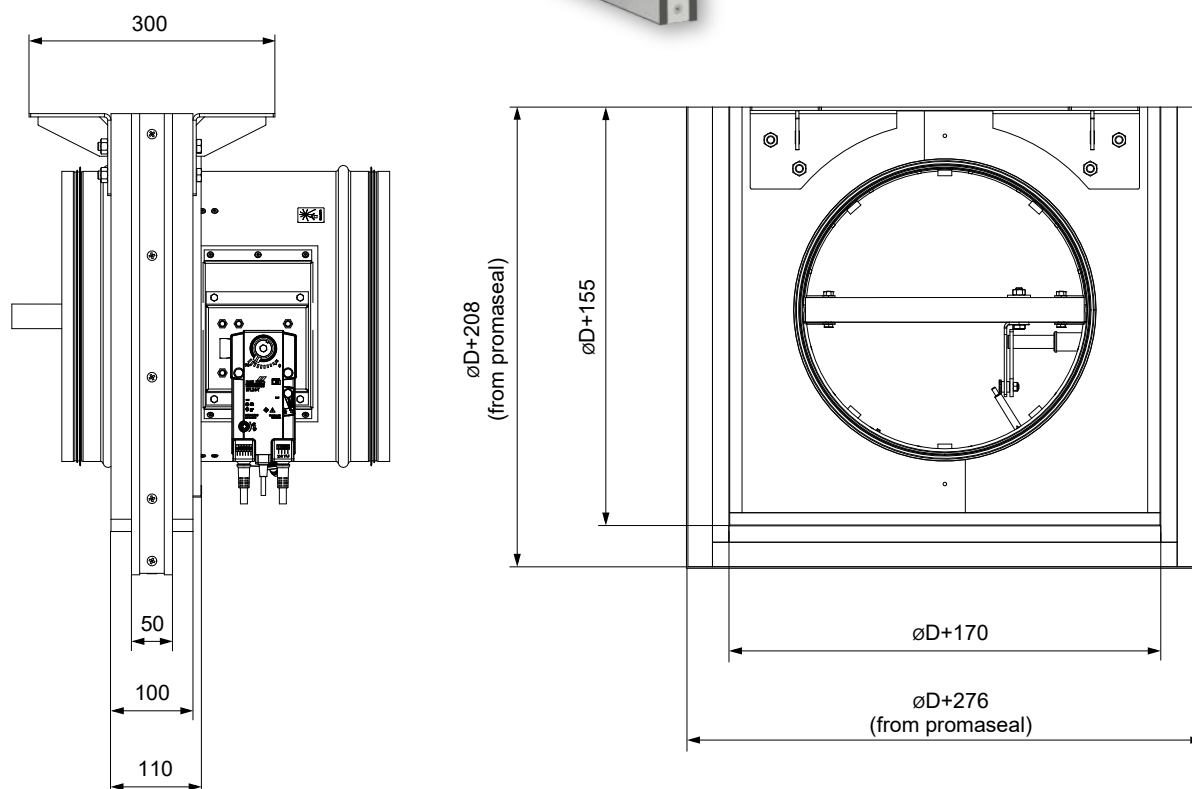


- | | |
|--|---|
| <p>1 FDMR</p> <p>2 Installation frame</p> <p>3 Insulation made of cement-lime board - min. thickness 40 mm, min. density 450 kg/m³ (e.g. PROMATECT-L). All parts are glued with glue Promat K84 and secured with screws 4x80 mm</p> <p>4 Additional board made of cement-lime board - min. thickness 40 mm, min. density 450 kg/m³ (e.g. PROMATECT-L). Apply HILTI CFS-S ACR mastic at the entire area and secure it with screws 4x80 mm</p> | <p>5 Screw 4x80 mm - screws must be firmly fixed in the ceiling construction, if necessary use steel anchors</p> <p>6 Standard air duct, made of galvanized sheet metal min. thickness 0,8 mm</p> <p>7 Clamp with threaded rod → see pages 80 to 82</p> <p>8 Solid ceiling construction</p> <p>9 Mortar or gypsum</p> |
|--|---|

Installation frame R7

- Installation frames R7 is designed for installation without additional sealing of the penetration for:
 - Installation in gypsum walls under flexible ceilings with a maximum movement of 40 mm
 - Wall thicknesses 100 or ≥ 115 mm
- Installation frame is equipped with an intumescent sealing on the inside and outside. This sealing fills the gap between the damper casing and frame and between the frame and construction in the event of a fire
- Position of the damper can be directly on the ceiling or at a distance of max. 80 mm from the ceiling
- Material:
 - Installation frame - cement-lime boards
 - Fasteners - galvanized steel

Installation frame R7

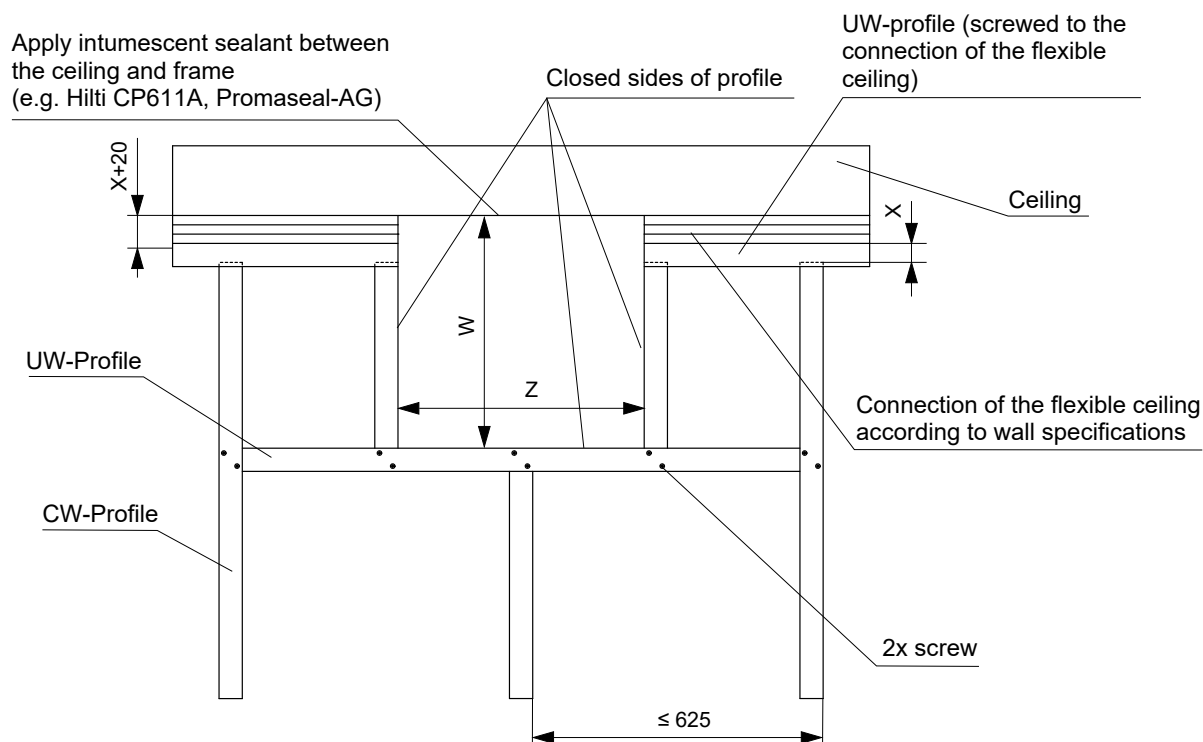
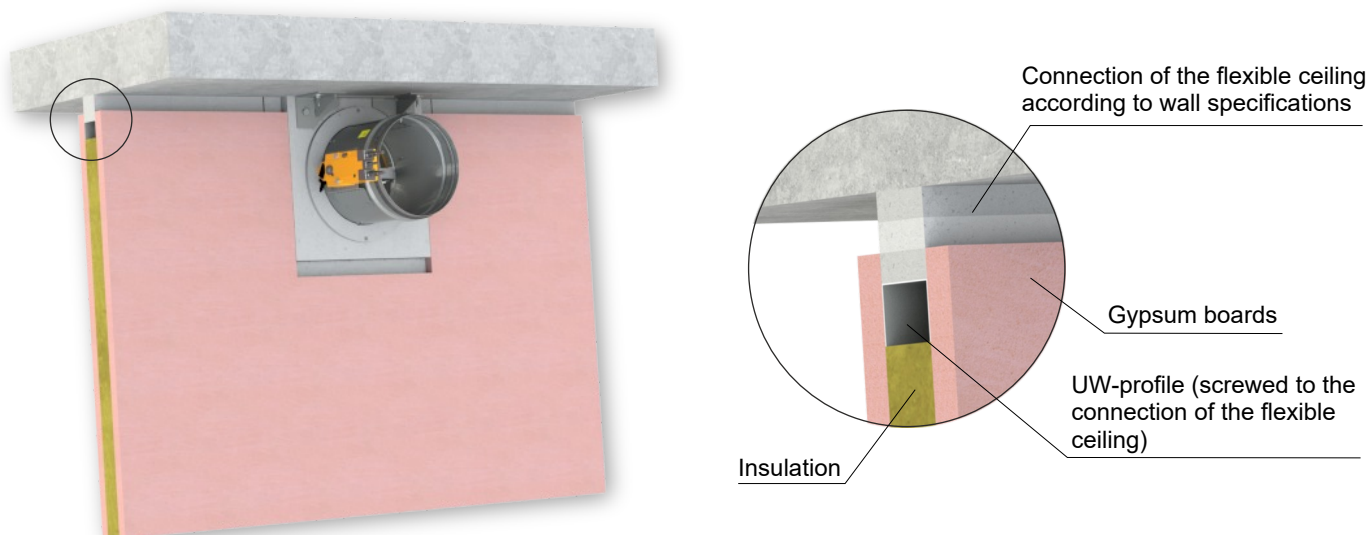


In gypsum wall construction - flexible ceiling - installation frame R7

Installation directly on the ceiling

EI 90 (v_e i↔o) S

- Detailed instructions for installation R7 frame → see manual
- For connection of following duct → see page 83
- Installation frame can be installed on the damper or delivered separately
- Installation procedure of the installation frame for FDMR → see manual
- Gypsum construction must be made in accordance with the specifications of the wall system manufacturer



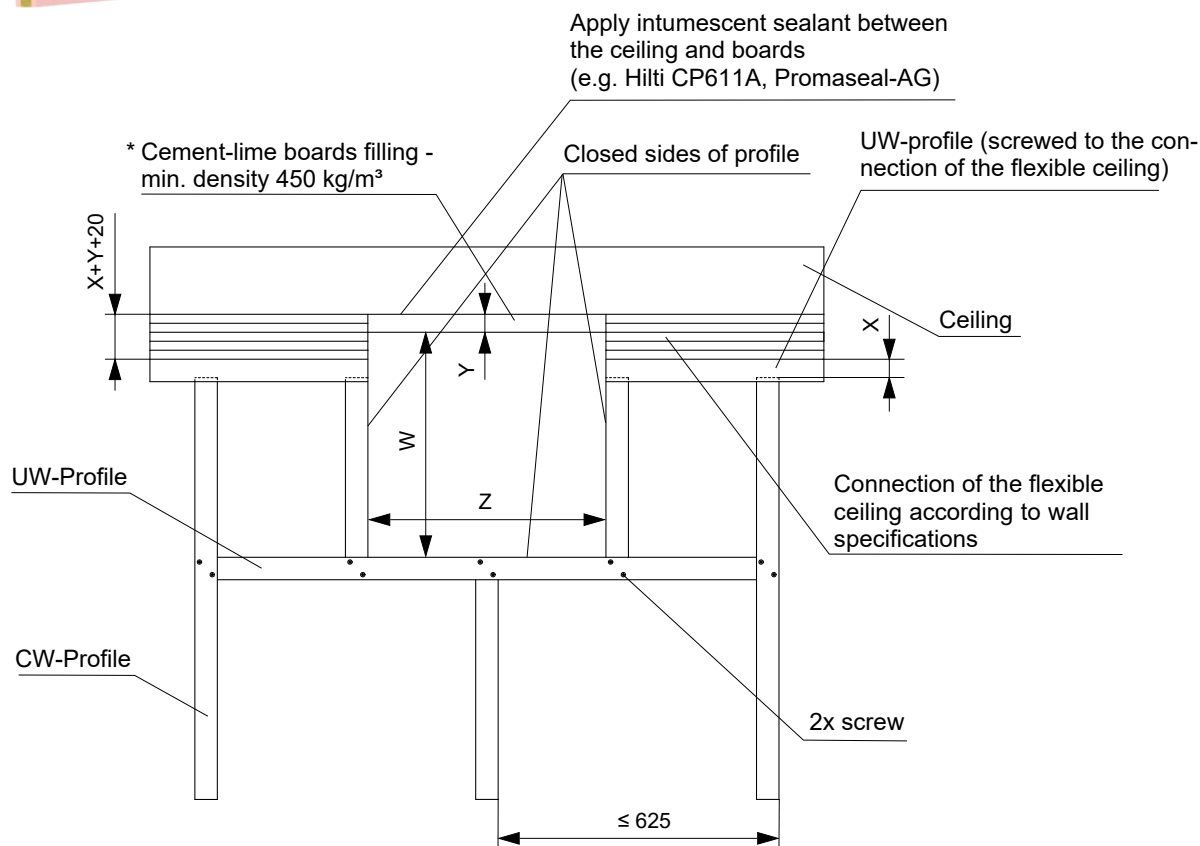
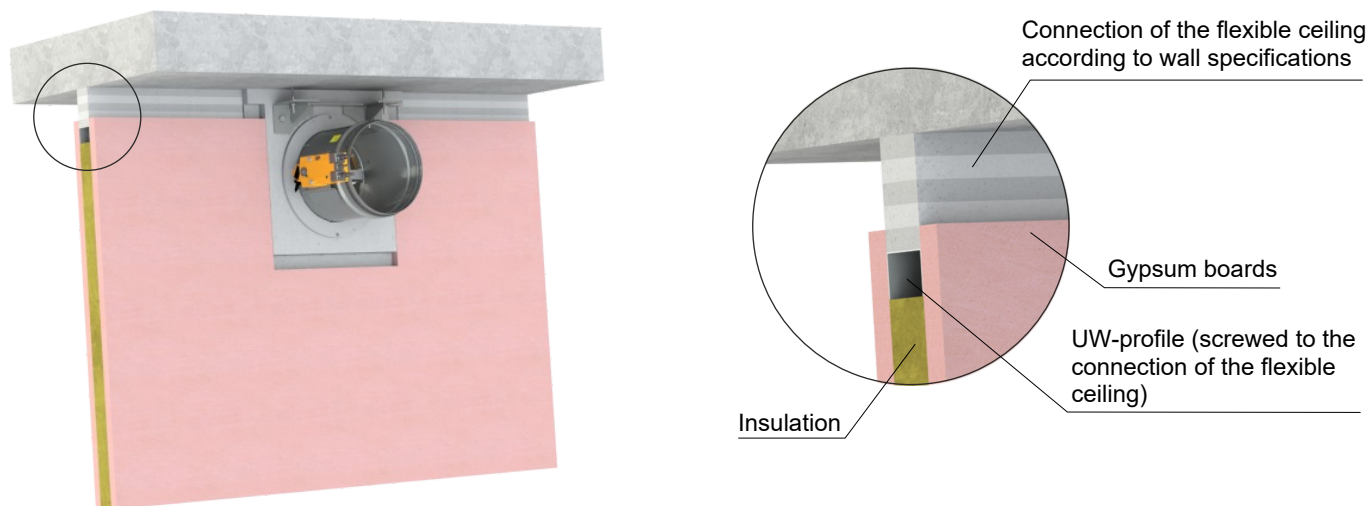
Installation frame	W [mm]	Z [mm]
R7	$\varnothing D + 208 + X + F$	$\varnothing D + 276 + (2 \times F)$

- X = ceiling movement ≤ 40 mm
- F = gap between frame (promaseal) and profile = 2 to 5 mm

Installation at a maximum distance of 80 mm from the ceiling

EI 90 (v_e i↔o) S

- Detailed instructions for installation R7 frame → see manual
- For connection of following duct → see page 83
- Installation frame can be installed on the damper or delivered separately
- Installation procedure of the installation frame for FDMR → see manual
- Gypsum construction must be made in accordance with the specifications of the wall system manufacturer



Installation frame	W [mm]	Z [mm]
R7	$\varnothing D + 208 + X + Y + F$	$\varnothing D + 276 + (2 \times F)$

* Width of the boards for frame R7 = 100 mm

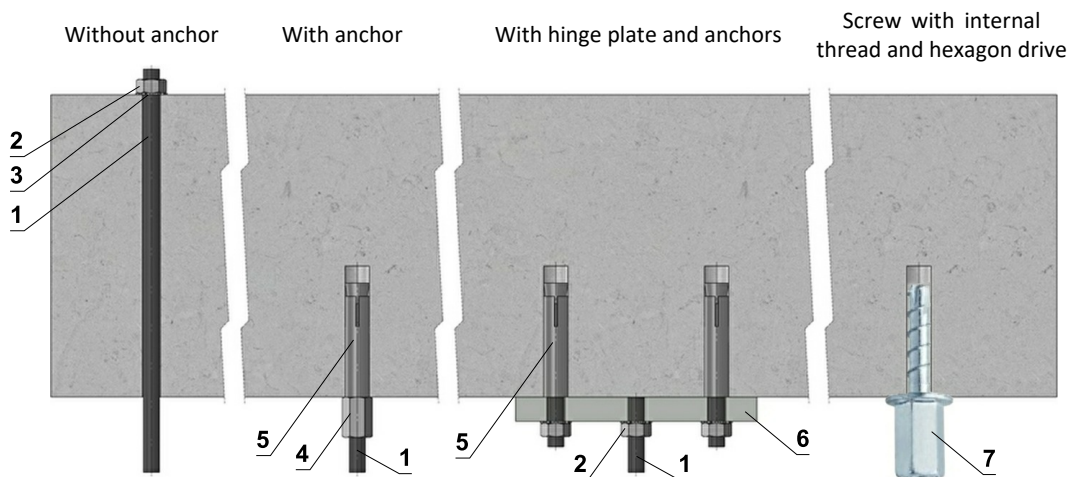
- X = ceiling movement ≤ 40 mm
- F = gap between frame (promaseal) and profile = 2 to 5 mm
- Y = distance of frame from ceiling max. 80 mm

V. SUSPENSION SYSTEMS

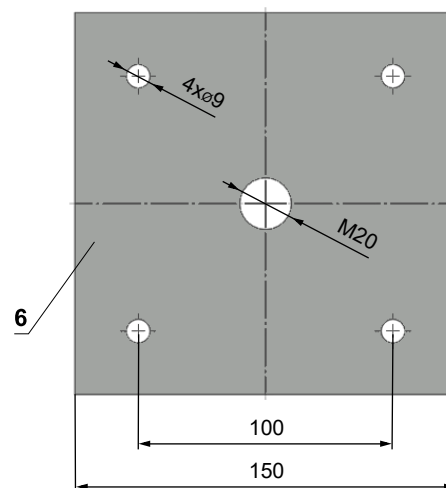
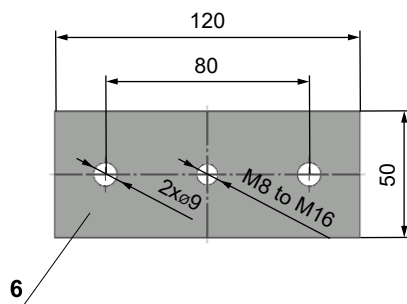
Mounting to the ceiling wall

- The dampers must be suspended using threaded rods and mounting profiles. Their dimensioning depend on the weight of the damper.
- The dampers and the duct must be suspended separately.
- Following air-conditioning duct must be suspended or supported so that all load transfer from the following duct to the damper flanges is absolutely excluded. Adjacent duct must be suspended or supported, as required by the duct suppliers.
- Threaded rods longer than 1,5 m must be protected by fire insulation.

Examples of anchoring to the ceiling construction Follow the instructions of fixing specialist or installation company



Hinge plates



- If in doubt, always consult an anchor specialist engineer such as Halfen or Hilti.

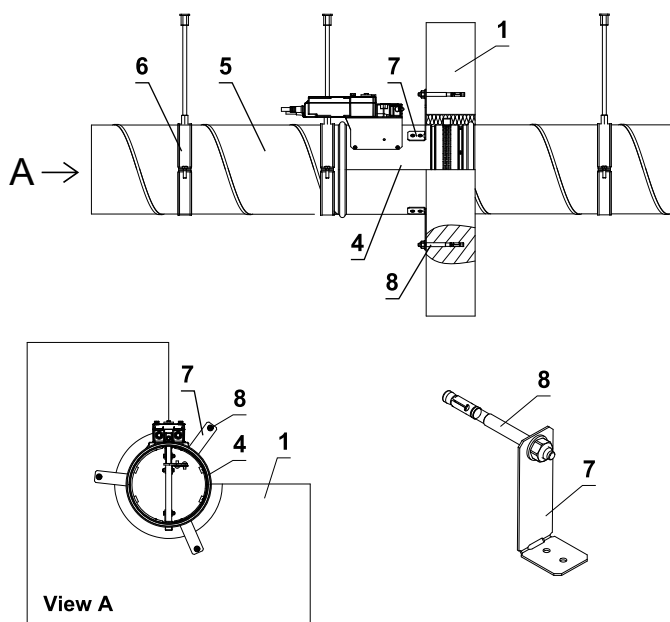
Load capacities of threaded rods at the required fire resistance 60 min. $t \le 120 \text{ min.}$

Size	As [mm ²]	Weight [kg]	
		for 1 rod	for 2 rods
M8	36,6	22	44
M10	58	35	70
M12	84,3	52	104
M16	157	96	192
M18	192	117	234
M20	245	150	300

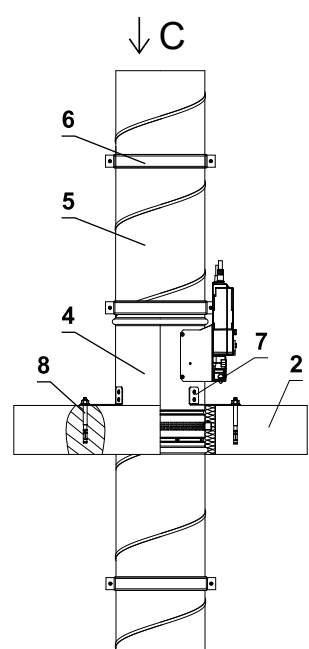
- 1 Threaded rod M8 - M20
- 2 Nut M8 - M20
- 3 Washer for M8 - M20
- 4 Coupling Nut M8 - M20
- 5 Anchor
- 6 Hinge plate - min. thickness 10 mm
- 7 Concrete screw tested for fire resistance R30-R90, max. Tension up to 0.75 KN (length 35 mm)

Example of fixing FDMR to the wall or ceiling

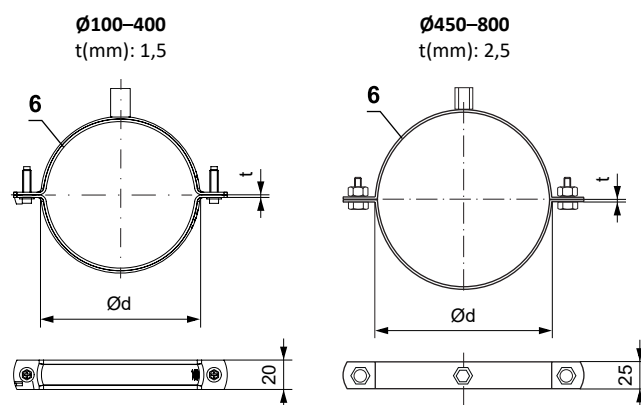
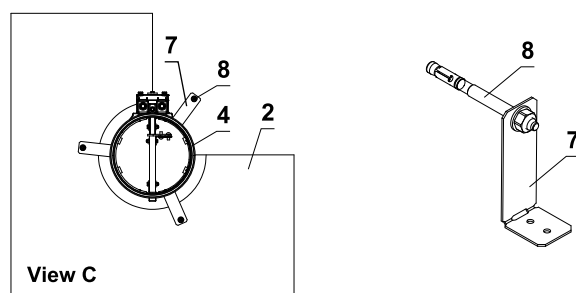
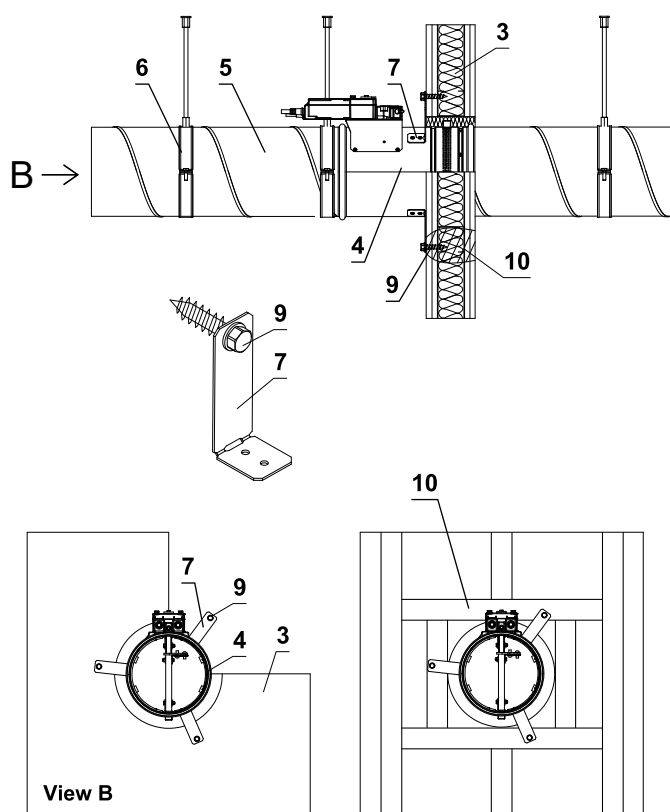
In solid wall construction



In solid ceiling construction



In gypsum wall construction



Ø100-400
Quick closing system
2x screw M6x20.
Fixing nut for threaded rod M8.

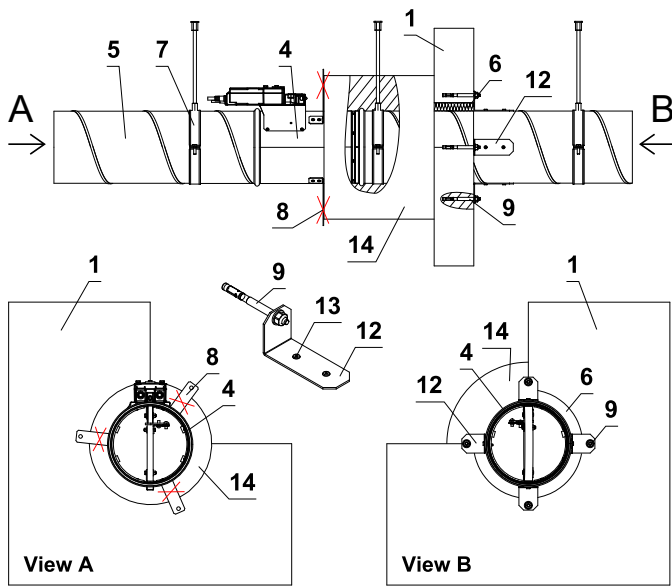
Ø450-800
2x screw connection M10x30 or threaded rods M10
Combined fixing nut for threaded rod M8+M10.

- 1 Solid wall construction
- 2 Solid ceiling construction
- 3 Gypsum wall constuciton
- 4 FDMR
- 5 Duct
- 6 Circular suspension with threaded rod
- 7 Damper bracket (according to order)
- 8 Nut M8 with anchor
- 9 Hexagon head screw
- 10 Gypsum grid from "U" profile

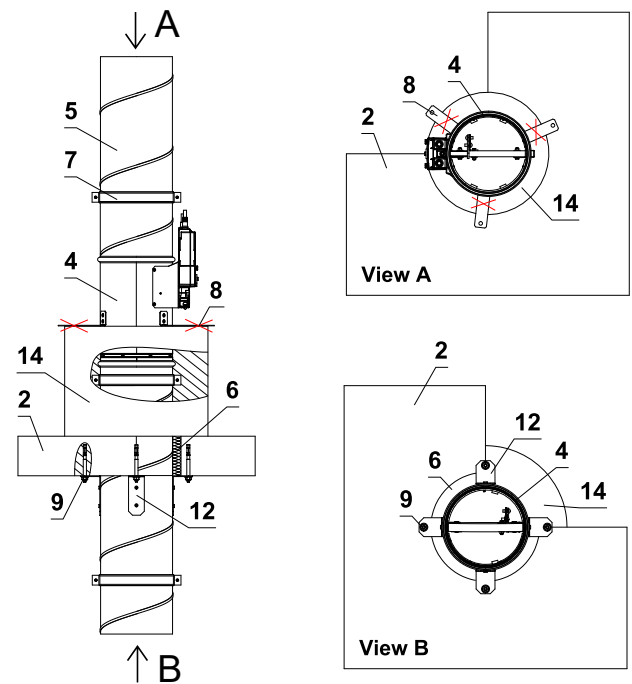
■ The method of attachment must follow the minimum requirements for attachment and connection of ductwork in accordance with national regulations. Also, the elements can be suspended from the top, or supported from bottom, or fastened from the side.

Example of fixing FDMR outside the wall or ceiling

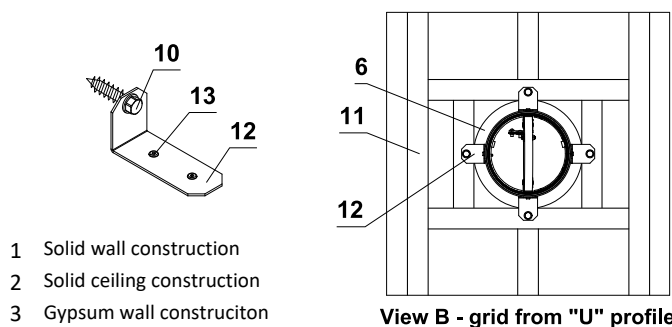
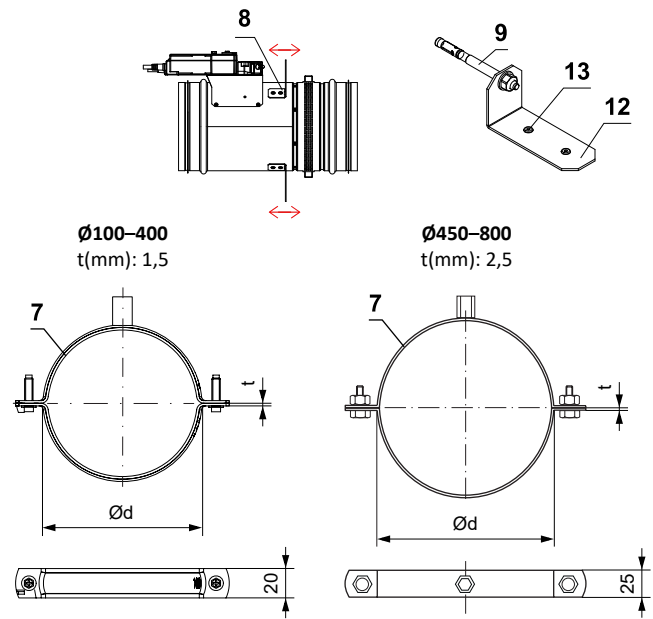
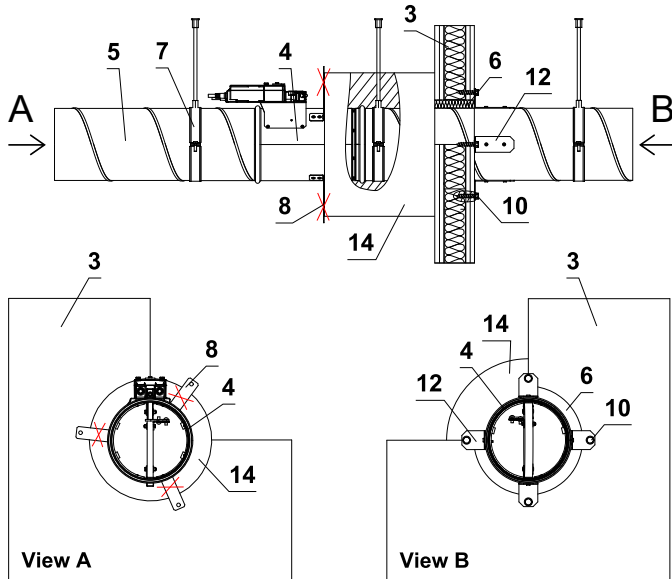
Outside solid wall construction



Outside solid ceiling construction



Outside gypsum wall construction



- 1 Solid wall construction
- 2 Solid ceiling construction
- 3 Gypsum wall construction
- 4 FDMR
- 5 Duct

- 6 Filling of space between the damper and wall/ceiling
- 7 Circular suspension with threaded rod
- 8 Mounting brackets (according to order) - determine min. length of the insulation (built in edge). Bend the mounting brackets 90 degrees from a damper casing. If the insulation is longer than the mounting bracket position, break off the brackets.

- 9 Nut M8 with anchor
- 10 Hexagon head screw
- 11 Gypsum grid from "U" profile
- 12 Fixing element/steel bracket for fixing the duct to the wall or ceiling (optional accessory MANDIK, a.s.)
- 13 Mounting holes for rivets
- 14 Duct insulation

View B - grid from "U" profile

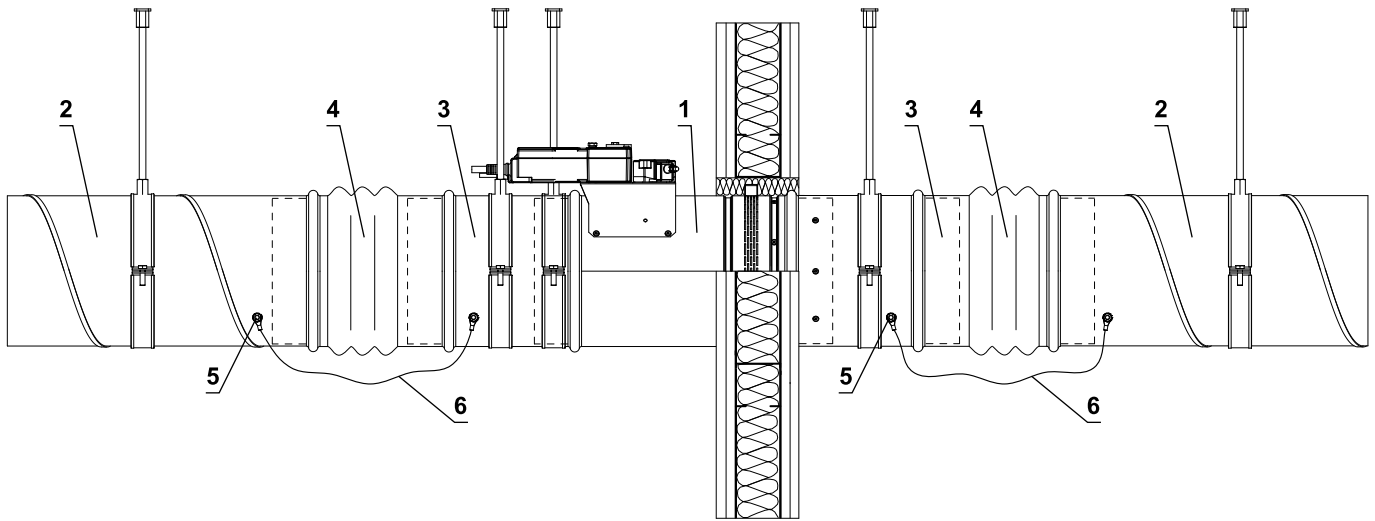
Ø100-400
Quick closing system
2x screw M6x20.
Fixing nut for threaded rod M8.

Ø450-800
2x screw connection M10x30 or threaded rods M10
Combined fixing nut for threaded rod M8+M10.

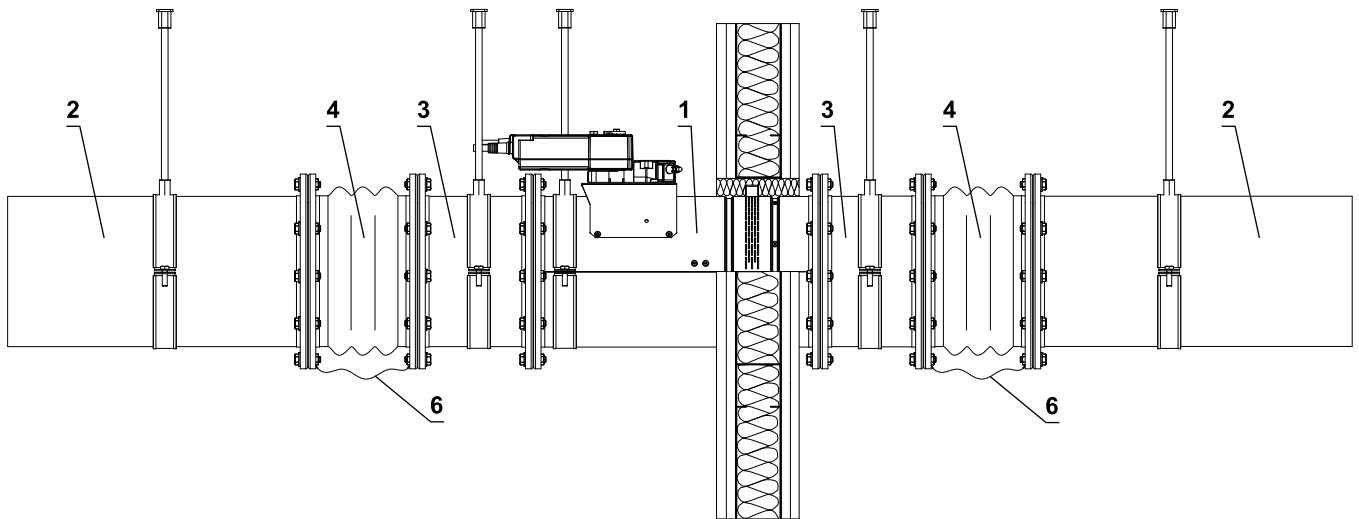
- The method of attachment must follow the minimum requirements for attachment and connection of ductwork in accordance with national regulations. Also, the elements can be suspended from the top, or supported from bottom, or fastened from the side.

Example of duct connection

SPIRO design



FLANGE design



- 1 FDMR
- 2 Duct
- 3 Extension piece (if required)
- 4 Damping pad
- 5 Bolt assembly M8 (bolt M8x20 mm, 2 pcs large washer M8, nut M8)
- 6 Protective bonding conductor

VI. TECHNICAL DATA

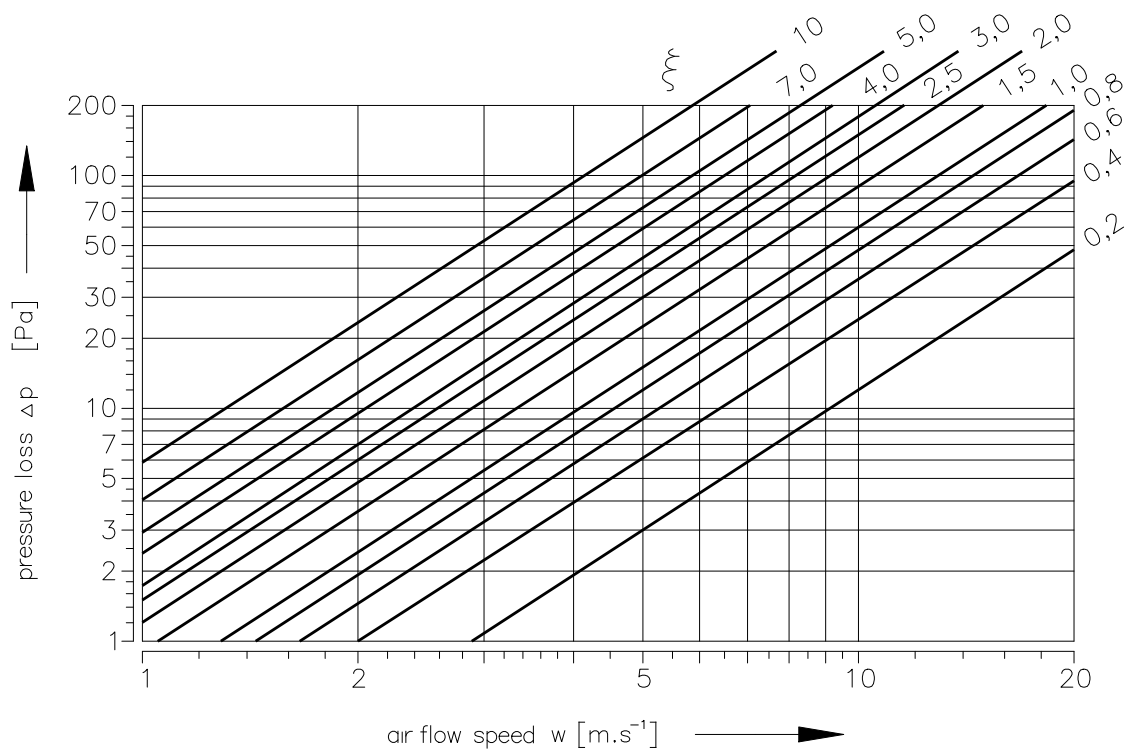
Pressure loss

Pressure loss calculation

$$\Delta p = \xi \cdot \rho \cdot \frac{w^2}{2}$$

Δp	[Pa]	pressure loss
w	[m/s]	air flow speed in nominal damper section
ρ	[kg/m ³]	air density
ξ	[-]	coefficient of local pressure loss for the nominal damper section

Determination of pressure loss by using diagram $\rho = 1,2 \text{ kg/m}^3$



Coefficient of local pressure loss

D	100	125	140	150	160	180	200	225	250	280	300
ξ	2,736	2,099	1,781	1,527	1,272	0,929	0,636	0,892	0,747	0,627	0,576
D	315	350	355	400	450	500	560	600	630	710	800
ξ	0,531	0,471	0,455	0,393	0,344	0,307	0,273	0,258	0,243	0,111	0,099

Noise data

Level of acoustic output corrected with filter A

$$L_{WA} = L_{W1} + 10 \log(S) + K_A$$

L_{WA}	[dB(A)]	level of acoustic output corrected with filter A
L_{W1}	[dB]	level of acoustic output L_{W1} related to the 1 m ² section
S	[m ²]	duct cross section
K_A	[dB]	correction to the weight filter A

Level of acoustic output in octave ranges

$$L_{Woct} = L_{W1} + 10 \log(S) + L_{rel}$$

L_{Woct}	[dB]	spectrum of acoustic output in octave range
L_{W1}	[dB]	level of acoustic output L_{W1} related to the 1 m ² section
S	[m ²]	duct cross section
L_{rel}	[dB]	relative level expressing the shape of the spectrum

Tables of acoustics values

Level of acoustic output L_{W1} [dB] related to the 1 m² section

w [m/s]	ξ [-]											
	0,1	0,2	0,3	0,4	0,6	0,8	1	1,5	2	2,5	3	3,5
2	9	11,5	14,7	16,9	20,1	22,3	24,1	27,2	29,4	31,2	32,6	33,8
3	16,7	22,1	25,3	27,5	30,7	32,9	34,6	37,8	40	41,7	43,2	44,4
4	24,2	29,6	32,8	35	38,1	40,4	42,1	45,3	47,5	49,2	50,7	51,9
5	30	35,4	38,6	40,8	44	46,2	47,9	51,1	53,3	55,1	56,5	57,7
6	34,8	40,2	43,3	45,6	48,7	51	52,7	55,8	58,1	59,8	61,2	62,4
7	38,8	44,2	47,3	49,6	52,7	55	56,7	59,9	62,1	63,8	65,2	66,4
8	42,3	47,7	50,8	53,1	56,2	58,4	60,2	63,3	65,6	67,3	68,7	69,9
9	45,4	50,7	53,9	56,1	59,3	61,5	63,3	66,4	68,6	70,4	71,8	73
10	48,1	53,5	56,6	58,9	62	64,3	66	69,1	71,4	73,1	74,5	75,7
11	50,6	56	59,1	61,4	64,5	66,7	68,5	71,6	73,9	75,6	77	78,2
12	52,8	58,2	61,4	63,6	66,8	69	70,7	73,9	76,1	77,9	79,3	80,5

Correction to the weight filter A

w [m/s]	2	3	4	5	6	7	8	9	10	11	12
K_A [dB]	-15	-11,8	-9,8	-8,4	-7,3	-6,4	-5,7	-5	-4,5	-4	-3,6

Relative level expressing the shape of the spectrum L_{rel}

w [m/s]	f [Hz]							
	63	125	250	500	1000	2000	4000	8000
2	-4,5	-6,9	-10,9	-16,7	-24,1	-33,2	-43,9	-56,4
3	-3,9	-5,3	-8,4	-13,1	-19,5	-27,6	-37,4	-48,9
4	-3,9	-4,5	-6,9	-10,9	-16,7	-24,1	-33,2	-43,9
5	-4	-4,1	-5,9	-9,4	-14,6	-21,5	-30,0	-40,3
6	-4,2	-3,9	-5,3	-8,4	-13,1	-19,5	-27,6	-37,4
7	-4,5	-3,9	-4,9	-7,5	-11,9	-17,9	-25,7	-35,1
8	-4,9	-3,9	-4,5	-6,9	-10,9	-16,7	-24,1	-33,2
9	-5,2	-3,9	-4,3	-6,4	-10,1	-15,6	-22,7	-31,5
10	-5,5	-4	-4,1	-5,9	-9,4	-14,6	-21,5	-30
11	-5,9	-4,1	-4	-5,6	-8,9	-13,8	-20,4	-28,8
12	-6,2	-4,3	-3,9	-5,3	-8,4	-13,1	-19,5	-27,6

VII. MATERIAL, FINISHING

- Damper casings are made from galvanized sheet metal without further surface treatment.
- Damper blades are made from fire resistant asbestos free boards made of mineral fibres.
- Manual control have cover made of mechanically resistant and durable plastic and the other parts are galvanized without further surface treatment.
- Thermal fuses are made of sheet brass, thickness 0,5 mm.
- Fasteners and springs are galvanized.
- According to the customer's requirements, dampers can be made of stainless steel material.

Specifications for stainless-steel design:

- Class A2 – Food-grade stainless steel (AISI 304 – EN 1.4301)
- Class A4 – Chemistry-grade stainless steel (AISI 316, 316L – EN 1.4401, EN 1.4404)

The respective stainless steel is the material for all components that are located or entering the damper inner space; components outside the damper casing are typically from galvanised sheet metal (fasteners for mounting the actuator or manual control, mechanical components except Item 4), frame components.

The following components, including the fasteners, are made from stainless steel at all times:

- 1) Damper casing and all components permanently attached
- 2) Blade holders including pins, metal parts of blades
- 3) Control components inside the damper (L-profile, pin with lever, rod, fasteners)
- 4) Parts of a manual control entering the inner space of a damper casing (lower sheet of a manual control, lock holder "1", lock lever "2", closing spring, 8 dia. stopper pin, manual control pin)
- 5) Inspection opening cover including the stirrup and fasteners (if they are parts of the cover)
- 6) Bearing for torque transfer from the lever with pin on the blade L-profile (made from AISI 440C)

The damper blade is made from a board of homogeneous material Promatect-H or Promatect-MST, thickness according to damper diameter or is composite from two boards of Promatect-H, thickness 20 mm, connected with galvanised nailed "U" connectors which are sealed with Promat K84 from the outside.

Thermal fuse is identical for all material variants of the dampers. Upon specification by customer, the thermal fuse can be made from A4 from stainless steel sheet metal.

Thermoelectric activation device BAT is modified for stainless-steel variant of the dampers; standard galvanised screws are replaced with stainless-steel M4 screws of corresponding class. Damper casing has stainless-steel riveting M4 nuts.

Plastic, rubber and silicon components, sealants, foaming tapes, glass-ceramic seals, housings, brass bearings of the blade, actuators, and end switches are identical for all material variants of the dampers.

Some fasteners and components are only available in one class of stainless steel; the type will be used in all stainless-steel variants.

The damper blade in the variant for chemical environments (Class A4) is always treated with a coating of chemically resistant Promat SR.

Any other requirements for the design will be considered atypical and will be addressed on an individual basis.

VIII. TRANSPORTATION, STORAGE AND WARRANTY

Logistic terms

- Dampers are delivered on pallets. As standard, the dampers are wrapped in plastic foil for protection during transport and must not be used for long-term storage. Temperature changes during transport can cause condensation of water inside the packaging and thereby cause corrosion of materials used in the dampers (e.g. white corrosion on zinc-coated items or mould on calcium silicate). Therefore, it is necessary to remove the transport packaging immediately after unloading to allow air to circulate around the product.
- The dampers must be stored in clean, dry, well ventilated and dust-free environment out of direct sunlight. Ensure protection against moisture and extreme temperatures (minimum temperature +5°C). The dampers must be protected against mechanical and accidental damage prior to installation.
- Another required packaging system should be approved and agreed by manufacturer. Packaging material is not returnable in case that another packaging system (material) is required and used and it is not included into final price of damper.
- Dampers are transported by box freight vehicles without direct weather impact, there must not occur any shocks and ambient temperature must not exceed +50°C. Dampers must be protected against impact when transported and manipulated. During transportation, the damper blade must be in the "CLOSED" position.
- Dampers must be stored indoor in environment without any aggressive vapours, gases or dust. Indoor temperature must be in the range from -30°C to +50°C and maximum relative humidity 95%.

Warranty

- The manufacturer provides a warranty of 24 months from the date of dispatch for the dampers.
- In case of using a Schischek actuator, the manufacturer provides a 12-month warranty for the actuator from the date of shipment.
- The warranty for fire dampers FDMR, provided by the manufacturer, is completely void if actuating, closing and control devices are unprofessionally handled by untrained workers or if electric components, i.e. limit switches, actuators, communication and supply devices and thermoelectric activation devices are dismounted.
- The warranty is void if dampers are used for other purposes, devices and working conditions than those allowed by these technical conditions or if the dampers are mechanically damaged during handling.
- If the dampers are damaged by transport, a record must be written down with the forwarder at reception for later complaint.

IX. ASSEMBLY, ATTENDANCE AND MAINTENANCE

- Assembly, maintenance and damper function check can be done only by qualified and trained person, i.e. "AUTHORIZED PERSON" according to the manufacturer documentation. All works done on the fire dampers must be done according international and local norms and laws.
- All effective safety standards and directives must be observed during damper assembly.
- To ensure reliable damper function it is necessary to avoid blocking the actuating mechanism and contact surfaces with collected dust, fibre and sticky materials and solvents.
- Flange and screw joints must be conductively connected to protect against dangerous contact. 2 galvanized lock washers that are placed under the head of one screw and a fastened nut are used for conductive connection.

Manual operation - actuator control without electric voltage

- A special wrench (part of the actuator) can be used to manually turn the damper blade to any position. When the wrench is turned in the direction of the arrow, the damper blade rotates to its open position. As the blade rotation is stopped, in every position, the actuator will be locked. Unlocking is possible even manually as per instructions on the actuator, or by the activation of the supply voltage.
- If the actuator is manually locked, the damper blade will not close in the event of a fire after the activation of the thermoelectric activation device BAT. To restore correct damper operation, the actuator must be unlocked (manually or by applying power supply).

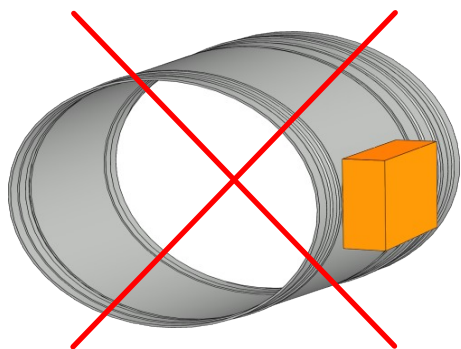
Limit switches

- If the damper is equipped with limit switches and these switches are not used during operation (e.g. because of a project change), they can be left on the damper and not connected (they need not be dismantled).
- On the other hand, if the limit switch is to be added to the damper design, the change can be implemented by change kit.
- These facts must be recorded in the respective operation documentation of the damper (record books of the damper, fire logs, etc.) and subsequently, adequate function checks must be carried out.

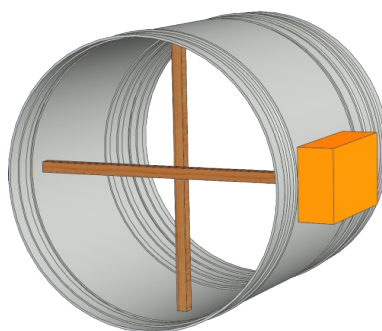
Installation / fixing the damper

- The damper casing shall not be deformed in the course of bricking in.
- Once the damper is built in, the damper blade shall not grind on the damper casing during opening or closing.

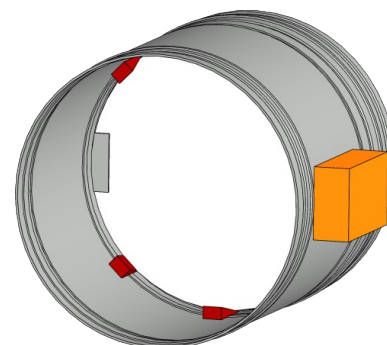
Protection of the damper casing against buckling during installation, especially for DN over 400 mm!



WRONG!



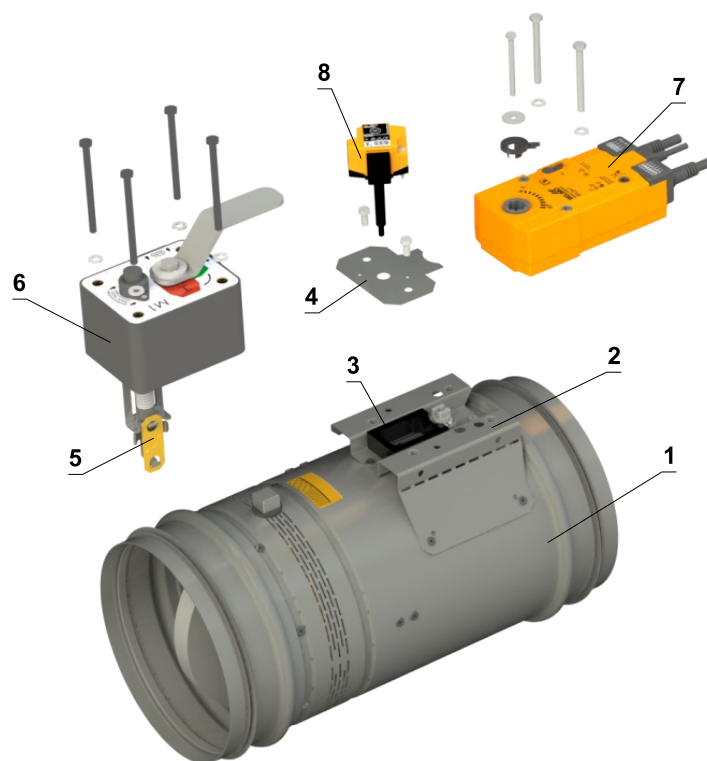
Brace with wooden blocks



Brace with wedges

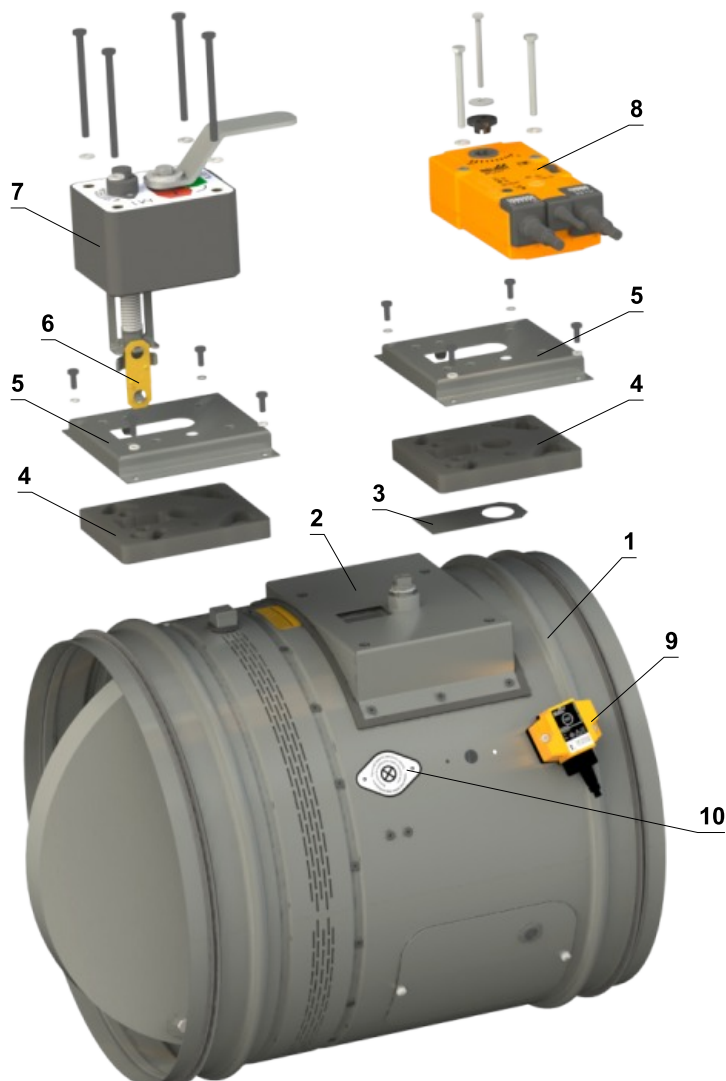
Change of manual control for the actuator or vice versa

DN 100 - DN 315



- 1 Damper
- 2 Mounting plate
- 3 Sealing of a mounting plate
- 4 Holder of thermoelectric activation device BAT
- 5 Thermal fuse
- 6 Manual control
- 7 Spring return actuator
- 8 Thermoelectric activation device BAT

DN 350 - DN 800



- 1 Damper
- 2 Mounting plate
- 3 Sealing cover
- 4 Sealing of a mounting plate
- 5 Cover of mounting plate
- 6 Thermal fuse
- 7 Manual control
- 8 Spring return actuator
- 9 Thermoelectric activation device BAT
- 10 Sensor sticker

Commissioning and revisions

- Before putting the damper into operation, serviceability checks and functional tests must be carried out including testing of functionality of all electrical elements. After putting into operation these serviceability checks must be carried at least twice a year. If no defect is found during two subsequent serviceability checks, these checks can be carried out once a year.
- In case that dampers are found unable to serve for their function for any cause, it must be clearly marked. The operator is obliged to ensure that the damper is put into condition in which it is ready for function and meanwhile he is obliged to provide the fire protection by another appropriate way.
- Results of regular checks, imperfections found and all important facts connected with the damper function must be recorded in the "FIRE BOOK" and immediately reported to the operator.
- Before entering the dampers with actuator into operation after their assembly and by sequential checks. Check of blade rotation into the breakdown position "CLOSED" can be done after disconnecting the actuator supply (e.g. by pressing the test button at the thermoelectric activation device BAT or disconnecting the supply from ELECTRICAL FIRE SIGNALISATION). Check of blade rotation back into the "OPEN" position can be done after restoration of power supply (e.g. by releasing the test button or restoration of supply from ELECTRICAL FIRE SIGNALISATION). Without power supply, the damper can be operated manually and fixed in any required position. Release of the locking mechanism can be achieved manually or automatically by applying the supply voltage. It is recommended to provide periodical checks, maintenance and service actions on fire equipment by authorized persons. The authorized persons can be trained by producer, or by authorized distributor. All effective safety standards and directives must be observed during fire damper assembly.
- Visual inspection of proper damper installation, inner area of a damper, damper blade, contact surfaces and silicon seal.
- For regular or exceptional inspection of interior of fire damper, micro-camera device can be used. On each fire damper is an inspection opening. In the case of inspection by camera, take out the black rubber cap, insert the camera inside the damper, check interior and at the end of inspection, put the rubber cap back tightly to cover the empty hole.

For dampers with manual control (designs .01, .11, .80), the following checks must be carried out

Check of a manual control and thermal fuse

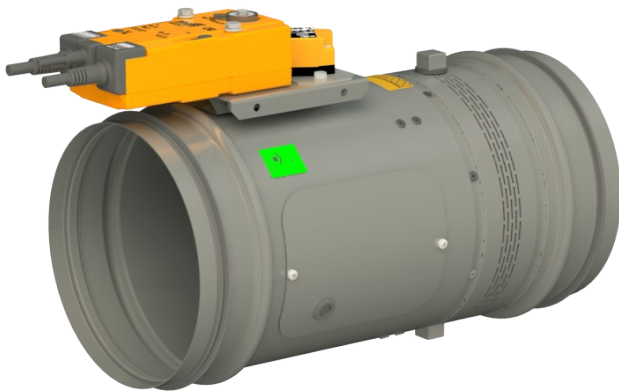
- **To check the function of the manual control proceed as follows:**
- Turn the damper blade to "CLOSED" position as follows:
 - The damper blade is in "OPEN" position.
 - Press the control button of the manual control to turn the damper blade to "CLOSED" position.
 - Check the damper blade rotation to "CLOSED" position.
 - Damper blade closing shall be smooth and fast, the control lever shall be in „CLOSED“ position.
- Turn the damper blade to "OPEN" position as follows:
 - Turn the control lever by 90°.
 - Check the damper blade rotation to "OPEN" position.
 - The lever will automatically lock in "OPEN" position.
- **Check of function and condition of the thermal fuse:**
 - To check the function and the status of the fuse it's possible to remove the manual control from the casing of the fire damper which is attached to the damper casing with four screws M6.
 - Removing the thermal fuse from the fuse holder of a manual control, checks its correct functionality.
 - The manual control is identified as M1 to M5, depending on the closing spring strength.

For the designs with actuators, following checks must be carried out

- Check the rotation of the blade to "CLOSED" failure position after disconnection the power supply of the actuator (e.g. by pressing the test button on the thermoelectric activation device BAT or by disconnection the power supply from electrical fire signalization). Check the rotation of the blade back to "OPEN" position by restoring the power supply to the actuator (e.g. by releasing the test button or by restoring the power supply from electrical fire signalization).

Before putting the dampers into operation and during subsequent function checks, the following checks must be carried out for dampers with optical smoke detector

- The function checks of the optical smoke detector are to be carried out by employees of an authorized organization who have corresponding electrotechnical qualification and have been properly trained by the manufacturer. The function checks are to be carried out as a part of function checks of the fire dampers, at least 1x a year.
- For the function checks, the damper blade should be in "CLOSED" position with the fan off or with closed air regulation situated between the fan and the fire damper.
- Inspection opening disassembly
 - Unscrew the screws (2pcs) and remove the cover by tilting it.



Inspection opening detail

- Ensure each damper is fully checked for operational capability, control should be initiated from the control system or by manual control. Damper blades should open and close correctly and operation should be visually inspected and documented prior to handover.

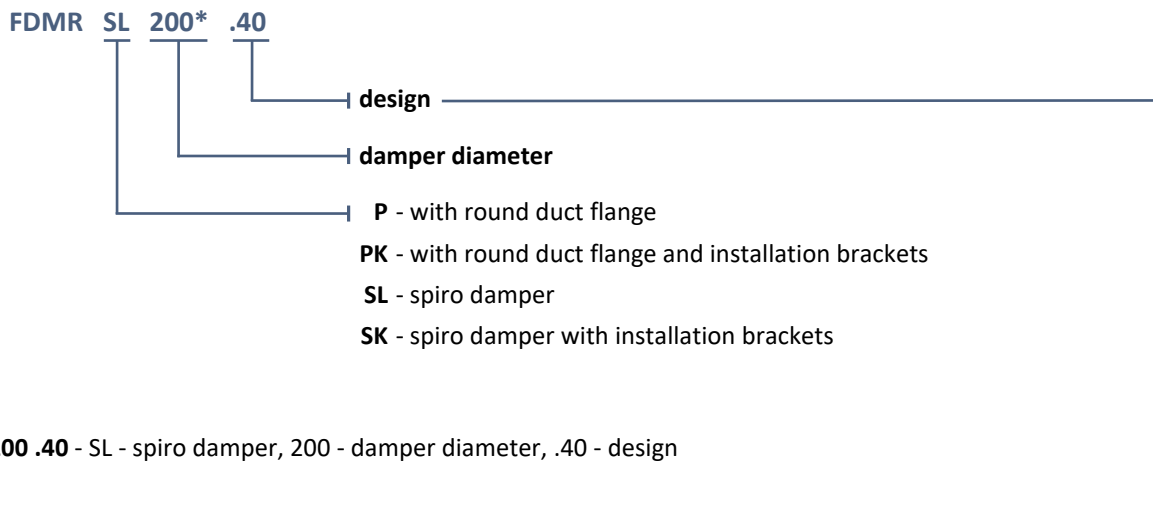
How to proceed after Tf1 or Tf2 fuses have been activated

- If the thermal fuse **Tf1** is interrupted (due to temperature outside the duct), it is necessary to replace the spring return actuator. → see page 10
- If the thermal fuse **Tf2** is interrupted (due to temperature inside the duct) , only the spare part ZBAT 72 (95/120/140) needs to be replaced (acc.to the activation temperature). → see page 10

X. ORDERING INFORMATIONS

Ordering key

Fire damper



EXAMPLE:

FDMR SL 200 .40 - SL - spiro damper, 200 - damper diameter, .40 - design

Damper design	Additional digit
Manual control and thermal	.01
Manual control and thermal (Zone 1,2)	.02
Manual control and thermal with a terminal switch („CLOSED“)	.11
Manual control and thermal with a terminal switch („CLOSED“) (Zone 1,2)	.12
Manual control and thermal with two terminal switches („OPEN“, „CLOSED“)	.80
Manual control and thermal with two terminal switches („OPEN“, „CLOSED“) (Zone 1,2)	.81
With actuator BF 230-TN (BFL, BFN 230-T) - voltage AC 230 V	.40
With actuator BF 24-TN (BFL, BFN 24-T), with smoke detector ORS 142 K and with supply device BKN 230-24-MOD (voltage AC 230 V)	.41**
With actuator ExMax-15-BF, with thermoelectric activation device ExPro-TT (Zone 1,2) - supply voltage range 24 to 230 VAC/DC	.42
With actuator BF 24-TN (BFL, BFN 24-T) - voltage AC/DC 24 V	.50
With actuator BF 24-TN (BFL, BFN 24-T), with smoke detector ORS 142 K (voltage AC/DC 24 V)	.51**
With communication and supply device BKN 230-24-MOD, with actuator BF 24-TN-ST (BFL, BFN 24-T-ST)	.63
With communication and supply device BKN 230-24-MOD, with actuator BF 24-TN-ST (BFL, BFN 24-T-ST) and with smoke detector ORS 142 K	.63S**



* For DN 350 only spiro design SL or SK can be ordered.

** The smoke detector is not part of the damper in the case of dampers in diameters from DN 100 mm to DN 200 mm (including). The smoke detector is supplied separately.

- If dampers with installation frame are required, that must be specified separately in the order. The installation frame can be installed on the damper or delivered separately.
- Detailed information for ATEX dampers (ZONE 1,2) → see Appendix

Data label

- Data label is placed on the damper casing (example)

MANDÍK [®]		MANDÍK, a.s. Dobříšská 550, 267 24 Hostomice, Czech Republic	
FIRE DAMPER - XXXX			
DIMENSION:		DESIGN:	
SERIAL.NO.:		WEIGHT (kg):	
CLASSIFICATION:		MANUAL	
TPM XXX/XX	Cert. No.: 1391-CPR-XXXX/XXXX, DoP: PM/XXXX/XX/XX/X	EN 15650:2010	

The producer reserves the right for innovations of the product.
For actual product information see www.mandik.com

MANDÍK[®]
www.mandik.com